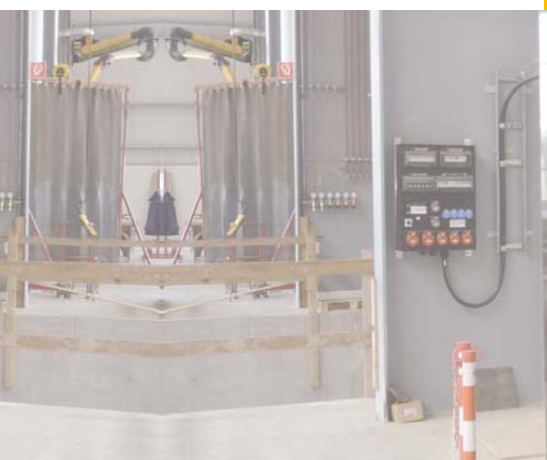


SYSTEMATIC QUALITY



Solid rubber junction boxes



Solid rubber junction boxes

Pages 4 - 7

Series 2100



Page 4

Series 1800



Page 5

Series 2500 / 2600



Page 6

Series 2700



Page 7

Solid rubber junction boxes

Pages 8 - 13

Series 7200



Page 8

Series 7250



Page 9

Series 7300



Page 10

Series 7350



Page 11

Series 7400



Page 12

Series 7450



Page 13

Solid rubber junction boxes

Pages 14 - 20

Series 7700



Page 14

Series 7750



Page 15

Series 3800 / 3900



Pages 16 - 17

Series 7800 / 7900



Pages 18 - 20

Application examples




Pages 21 - 23

Application examples



Pages 21 - 23

Solid rubber material

- Superior stability: shatterproof, impact-resistant, stable shape and resistant to ageing.
- Integrated wall mounting provides protective insulation - separated from the wired area.
- Captive stainless steel top screws.
- No corrosion.
- Dust-tight and protected against water jets (IP65)
- No condensation (even where there are significant temperature fluctuations).
- High temperature resistance from -30° up to +80°C.
- Resistant to chemicals (oils and fat, many acids and caustics). Weather-, UV- and ozone-resistant.
- The special mixture of butyl rubber is self-extinguishing, and does not contain silicone or halogen. In case of fire it produces little smoke. No release of caustic or toxic materials.
- Tested quality.   

For universal application

- Fast on-site assembly.
- Solid rubber box can be adapted easily with conventional tools such as spiral drilling machines, hobs, etc.
- Cable glands can be placed wherever they are needed for clean installation.
- Time-saving retrofitting on boxes that have already been installed.
- No fixed installation points on the base. You can choose where to place the partitions.
- Easy adjustment of built-in units with chipboard screws.
- All conventional clamps or binders can be built in.
- The front panel, made of polycarbonate or solid rubber, is easy to work with.
- Keys, switches, control switch and recording devices can also be quickly installed.

Indestructable

- Suitable for all fields of application in industry and services.
- Suitable for dry and damp areas.
- Suitable for outdoor use, protected from rain, snow and sun.
- Manufactured to your specification (with attached cable glands, standard binders, switches, keys, as well as Schuko and CEE socket or other plug-in systems).
- On request, engraving or labelling for identification or operation and technical references.

Series 2100

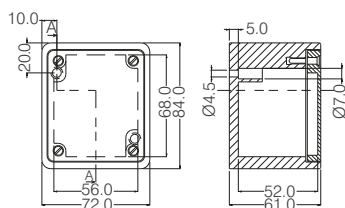


Technical data

Width x height x depth	72 x 84 x 61 mm
Type of protection	IP44
Housing material	solid rubber (vulcanised butyl rubber)
Specifications of the housing	halogen-free, UV-resistant, resistant to oils and various acids and alkalis
Gasket seal	solid rubber round cord
Cover fixing	stainless steel cross-head screw
Protective insulation	2-way wall mounting

Equipment examples						
EDP No.	EDP No. F&B	Product ID No.	Entry	Fusing	Equipment	
25077	85055	21309.PA	1/M20	unfused	1/Schuko 16A 230V	
26078		21201639	1/M20	unfused	1/CEE 3x16A 230V	
25141		21241629	1/M20	unfused	1/CEE 2x16A 24V	
25816		2100.PA.1KN.CA10.A200.1M20	1/M20	unfused	1/on-off-switch CA10 A200	

Design the optimum solution for your requirements with our engineers.



Series 1800



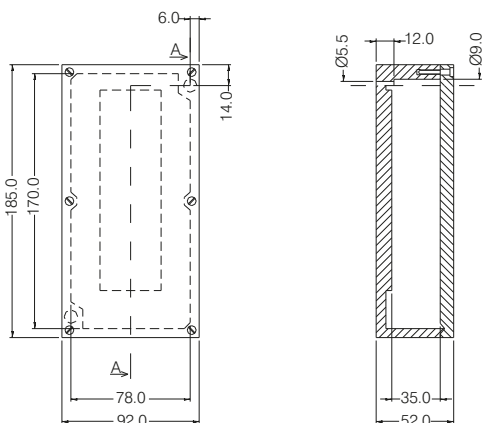
Technical data

Width x height x depth	92 x 185 x 52 mm
Type of protection	IP44
Housing material	solid rubber (vulcanised butyl rubber)
Specifications of the housing	halogen-free, UV-resistant, resistant to oils and various acids and alkalis
Gasket seal	foamed polyurethane gasket seal
Cover fixing	stainless steel cross-head screw
Protective insulation	2-way wall mounting outside the wiring space partitioned off

Equipment examples

EDP No.	EDP No. F&B	Product ID No.	Entry	Fusing	Equipment	
25473	85031	183.1M20	1/M20	unfused	3/Schuko 16A 230V	
25675	85032	182.1M20	1/M20	unfused	2/Schuko 16A 230V	
28363		1800.2CEE.1M20.QUER	1/M20	unfused	2/CEE 3x16A 230V	
61249		1800.2CEE.1M20.HOCH	1/M20	unfused	2/CEE 3x16A 230V	
47610		1800.2x241629.1M20	1/M20	unfused	2/CEE 2x16A 24V	
47606		1800.2x421629.1M20	1/M20	unfused	2/CEE 2x16A 42V	
37825	85033	182.1CEE.1M20	1/M20	unfused	2/Schuko 16A 230V 1/CEE 3x16A 230V	

Design the optimum solution for your requirements with our engineers.



Series 2500 / 2600



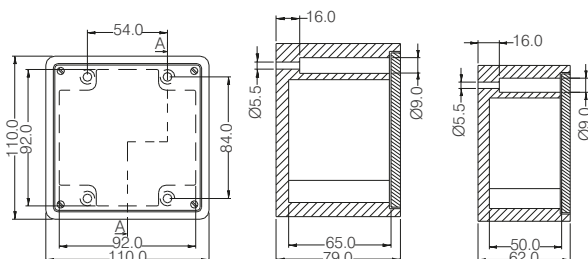
Technical data

Width x height x depth	110 x 110 x 79 / 62 mm
Type of protection	IP44
Housing material	solid rubber (vulcanised butyl rubber)
Specifications of the housing	halogen-free, UV-resistant, resistant to oils and various acids and alkalis
Gasket seal	solid rubber round cord
Cover fixing	stainless steel cross-head screw
Protective insulation	4-way wall mounting outside the wiring space partitioned off

Equipment examples

EDP No.	EDP No. F&B	Product ID No.	Entry	Fusing	Equipment	
25231	85034	2516582.1M20	1/M20	unfused	1/CEE 5x16A 400V 2/Schuko 16A 230V	
25483	85035	254.M20.4ÖSEN junction box to hang up	1/M20	unfused	4/Schuko 16A 230V 4/eye bolts	
25321		25303259	1/M25	unfused	1/CEE 5x32A 400V	
25243		26301659	1/M20	unfused	1/CEE 5x16A 400V	

Design the optimum solution for your requirements with our engineers.



Series 2700



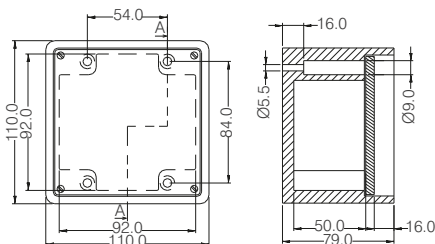
Technical data

Width x height x depth	110 x 110 x 79 mm
Type of protection	IP44
Housing material	solid rubber (vulcanised butyl rubber)
Specifications of the housing	halogen-free, UV-resistant, resistant to oils and various acids and alkalis
Gasket seal	solid rubber round cord
Cover fixing	stainless steel cross-head screw
Protective insulation	4-way wall mounting outside the wiring space partitioned off
Protective edge	protruding

Equipment examples

EDP No.	EDP No. F&B	Product ID No.	Entry	Fusing	Equipment	
25232	85036	272.1M20	1/M20	unfused	2/Schuko 16A 230V	
25477	85040	2792.1M20.	1/M20	1/MCB 1pol. 16A	2/Schuko 16A 230V	
25519	85039	2727.1M20.	1/M20	1/RCD 2pol. 25/0.03A	2/Schuko 16A 230V	

Design the optimum solution for your requirements with our engineers.



Series 7200



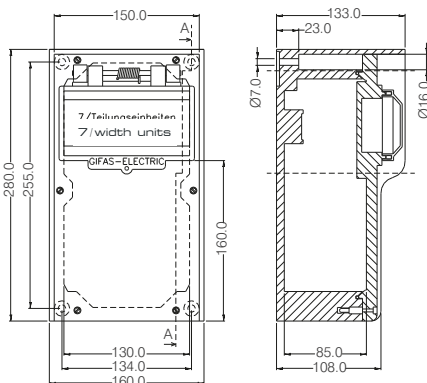
Technical data

Width x height x depth	160 x 280 x 133 mm
Type of protection	IP44 (up to IP65 possible)
Housing material	solid rubber (vulcanised butyl rubber)
Specifications of the housing	halogen-free, UV-resistant, resistant to oils and various acids and alkalis
Gasket seal	foamed polyurethane gasket seal
Cover fixing	stainless steel screw TORX T15 A4
Macrolon cover	for 7 width units
Protective insulation	4-way wall mounting outside the wiring space partitioned off

Equipment examples

EDP No.	EDP No. F&B	Product ID No.	Entry	Fusing	Equipment	
60750	85042	72192.1M25.	1/M25	1/MCB 3pol. 16A 2/MCB 1pol. 16A	1/CEE 5x16A 400V 2/Schuko 16A 230V	
77485	85043	721.27.0.03.40.1M25.	1/M25	unfused unfused 1/RCD 4pol. 40/0.03A	1/CEE 5x16A 400V 2/Schuko 16A 230V	
47608	85044	723.927.0.03.40.SP.1M25.	1/M25	unfused 2/MCB 1pol. 16A 1/RCD 4pol. 40/0.03A	1/CEE 5x32A 400V 2/Schuko 16A 230V	
64910	85045	7294G7.30MA.1M20.	1/M20	2/MCB 1pol. 16A 1/RCD 4pol. 40/0.03A	4/Schuko 16A 230V	
77487		7292CEE7.0.03.40.1M20.	1/M20	2/MCB 1pol. 16A 1/RCD 4pol. 40/0.03A	2/CEE 3x16A 230V	

Design the optimum solution for your requirements with our engineers.



Series 7250

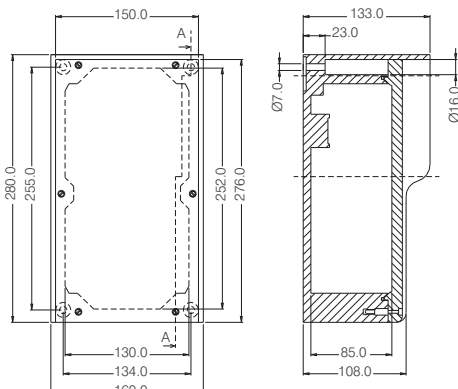


Technical data

Width x height x depth	160 x 280 x 133 mm
Type of protection	IP44 (up to IP65 possible)
Housing material	solid rubber (vulcanised butyl rubber)
Specifications of the housing	halogen-free, UV-resistant, resistant to oils and various acids and alkalis
Gasket seal	foamed polyurethane gasket seal
Cover fixing	stainless steel screw TORX T15 A4
Protective insulation	4-way wall mounting outside the wiring space partitioned off

Equipment examples

EDP No.	EDP No. F&B	Product ID No.	Entry	Fusing	Equipment	
46499	85046	7250.1.2.EKL.1M20	1/M20	unfused	1/CEE 5x16A 400V 2/Schuko 16A 230V	
47615	85047	7250.3.2.EKL.1M20.1M25	1/M25 1/M20	unfused	1/CEE 5x32A 400V 2/Schuko 16A 230V	
47313		7250.11.EKL.1M25	1/M25	unfused	2/CEE 5x16A 400V	
47239		7250.31.EKL.1M20.1M25	1/M25 1/M20	unfused	1/CEE 5x32A 400V 1/CEE 5x16A 400V	
46328		7250.306359.EKL.1M32	1/M32	unfused	1/CEE 5x63A 400V	
47611	85048	7250.1.1.1KN.A200.1M20.1M25	1/M25 1/M20	unfused	1/CEE 5x16A 400V 1/Schuko 16A 230V 1/on-off-switch	
47612	85049	7250.2CEE.2.EKL.2M20	1/M20 1/M20	unfused	2/CEE 3x16A 230V 2/Schuko 16A 230V	
47613	85051	7250.309.2x241629.2M20	1/M20 1/M20	unfused	2/CEE 2x16A 24V (24V separated from 230V partition) 1/Schuko 16A 230V	



Design the optimum solution for your requirements with our engineers.

Series 7300



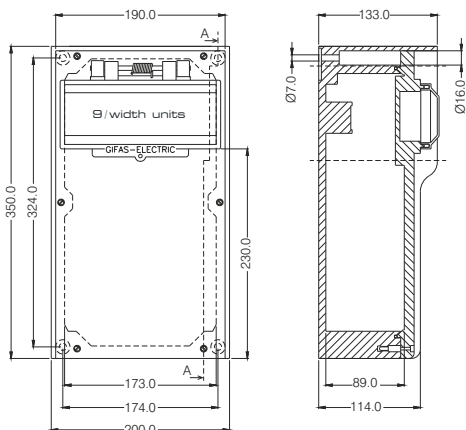
Technical data

Width x height x depth	200 x 350 x 133 mm
Type of protection	IP44 (up to IP65 possible)
Housing material	solid rubber (vulcanised butyl rubber)
Specifications of the housing	halogen-free, UV-resistant, resistant to oils and various acids and alkalis
Gasket seal	foamed polyurethane gasket seal
Cover fixing	stainless steel screw TORX T15 A4
Macrolon cover	for 9 width units
Protective insulation	4-way wall mounting outside the wiring space partitioned off

Equipment examples

EDP No.	EDP No. F&B	Product ID No.	Entry	Fusing	Equipment	
79175	85075	731927.0,03.40.SP.1M25.	1/M25	1/MCB 3pol. 16A 2/MCB 1pol. 16A 1/RCD 4pol. 40/0.03A	1/CEE 5x16A 400V 2/Schuko 16A 230V	
71414	85077	733927.0,03.40.SP.1M32.	1/M32	1/MCB 3pol. 32A 2/MCB 1pol. 16A 1/RCD 4pol. 40/0.03A	1/CEE 5x32A 400V 2/Schuko 16A 230V	
47619		7369.1M40.	1/M40	1/MCB 3pol. 63A	1/CEE 5x63A 400V	
46691	85079	731193.1M32.	1/M32	2/MCB 3pol. 16A 3/MCB 1pol. 16A	2/CEE 5x16A 400V 3/Schuko 16A 230V	
93873		73392CEE7.0,03.63A.XF.1M32.	1/M32	1/MCB 3pol. 32A 2/MCB 1pol. 16A 1/RCD 4pol. 40/0.03A	1/CEE 5x32A 400V 2/CEE 3x16A 230V	

Design the optimum solution for your requirements with our engineers.



Series 7350

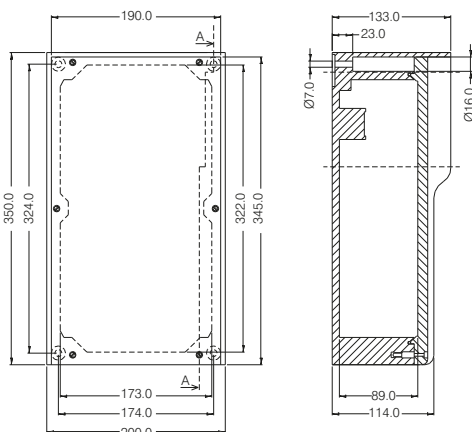


Technical data

Width x height x depth	200 x 350 x 133 mm
Type of protection	IP44 (up to IP65 possible)
Housing material	solid rubber (vulcanised butyl rubber)
Specifications of the housing	halogen-free, UV-resistant, resistant to oils and various acids and alkalis
Gasket seal	foamed polyurethane gasket seal
Cover fixing	stainless steel screw TORX T15 A4
Protective insulation	4-way wall mounting outside the wiring space partitioned off

Equipment examples						
EDP No.	EDP No. F&B	Product ID No.	Entry	Fusing	Equipment	
47622	85082	7350.111.2.EKL.1M20.1M25	1/M25 1/M20	unfused	3/CEE 5x16A 400V 2/Schuko 16A 230V	
47163	85083	7350.31.2.EKL.1M20.2M25	1/M25 1/M25 1/M20	unfused	1/CEE 5x32A 400V 1/CEE 5x16A 400V 2/Schuko 16A 230V	
46925	85085	7350.33.2.EKL.1M20.2M25	2/M25 1/M20	unfused	2/CEE 5x32A 400V 2/Schuko 16A 230V	
47624		7350.3.5CEE.SAK.1M20.1M32	1/M32 1/M20	unfused	1/CEE 5x32A 400V 5/CEE 3x16A 230V	
47625		7350.61.EKL.1M20.1M32	1/M32 1/M20	unfused	1/CEE 5x63A 400V 1/CEE 5x16A 400V	

Design the optimum solution for your requirements with our engineers.



Series 7400



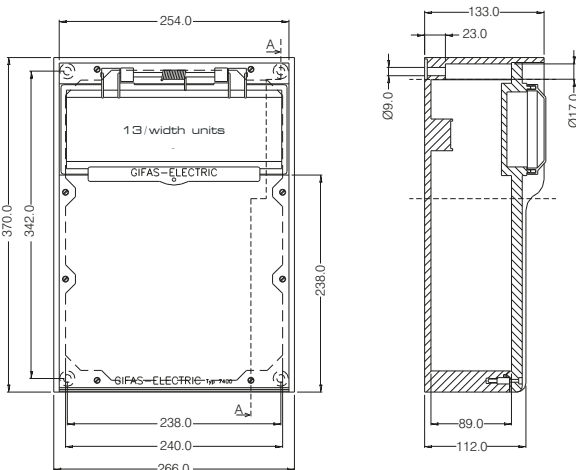
Technical data

Width x height x depth	266 x 370 x 133 mm
Type of protection	IP44 (up to IP65 possible)
Housing material	Solid rubber (vulcanised butyl rubber) available in black or grey
Specifications of the housing	Halogen-free, UV-resistant, resistant to oils and various acids and alkalis
Gasket seal	Foamed polyurethane gasket seal
Cover fixing	Stainless steel screw TORX T15 A4 for 13 width units
Macrolon cover	
Protective insulation	4-way wall mounting outside the wiring space partitioned off

Equipment examples

EDP No.	EDP No. F&B	Product ID No.	Entry	Fusing	Equipment	
89672	85086	7411937.0,03.40.SP.1M32.	1/M32	2/MCB 3pol. 16A 3/MCB 1pol. 16A 1/RCD 4pol. 40/0.03A	2/CEE 5x16A 400V 3/Schuko 16A 230V	
53792	85088	7431937.0,03.63.XF.1M32.UNTEN.	1/M32	1/MCB 3pol. 32A 1/MCB 3pol. 16A 3/MCB 1pol. 16A 1/RCD 4pol. 63/0.03A	1/CEE 5x32A 400V 1/CEE 5x16A 400V 3/Schuko 16A 230V	
62764	85090	7433937.0,03.63.XF.1M32.	1/M32	2/MCB 3pol. 32A 3/MCB 1pol. 16A 1/RCD 4pol. 63/0.03A	2/CEE 5x32A 400V 3/Schuko 16A 230V	
69791	85091	746.31927.0,03.63.XF.HKL.1M40.	1/M40	unfused 1/MCB 3pol. 32A 1/MCB 3pol. 16A 2/MCB 1pol. 16A 1/RCD 4pol. 63/0.03A	1/CEE 5x63A 400V 1/CEE 5x32A 400V 1/CEE 5x16A 400V 2/Schuko 16A 230V	
85092		741192CEE7.0,03.40.SPM32.	1/M32	2/MCB 3pol. 16A 2/MCB 1pol. 16A 1/RCD 4pol. 63/0.03A	2/CEE 5x16A 400V 2/CEE 3x16A 230V	

Design the optimum solution for your requirements with our engineers.



Series 7450



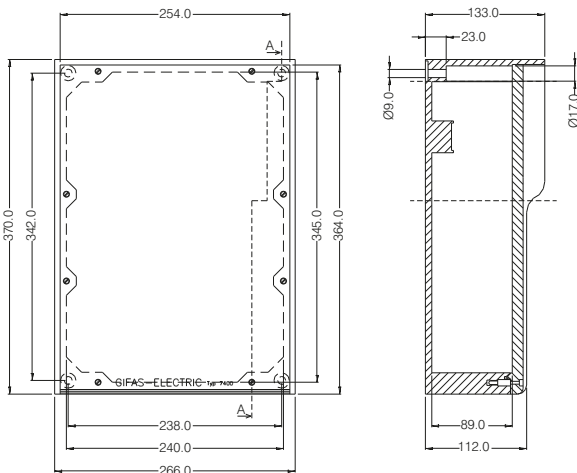
Technical data

Width x height x depth	266 x 370 x 133 mm
Type of protection	IP44 (up to IP65 possible)
Housing material	Solid rubber (vulcanised butyl rubber)
Specifications of the housing	Halogen-free, UV-resistant, resistant to oils and various acids and alkalis
Gasket seal	Foamed polyurethane gasket seal
Cover fixing	Stainless steel screw TORX T15 A4
Protective insulation	4-way wall mounting outside the wiring space partitioned off

Equipment examples

EDP No.	EDP No. F&B	Product ID No.	Entry	Fusing	Equipment	
45372	85094	7450.31.4.EKL.2M20.1M25	1/M25 1/M20 1/M20	unfused	1/CEE 5x32A 400V 1/CEE 5x16A 400V 4/Schuko 16A 230V	
47639		7450.31.3CEE.EKL.2M20.1M25	1/M25 1/M20 1/M20	unfused	1/CEE 5x32A 400V 1/CEE 5x16A 400V 3/CEE 3x16A 230V	
47637	85095	7450.6311.3.2M20.1M25.1M32	1/M32 1/M25 1/M20 1/M20	unfused	1/CEE 5x63A 400V 1/CEE 5x32A 400V 2/CEE 5x16A 400V 3/Schuko 16A 230V	
47640	85096	7450.9.SAK.2M25	2/M25	unfused	9/Schuko 16A 230V	

Design the optimum solution for your requirements with our engineers.



Series 7700

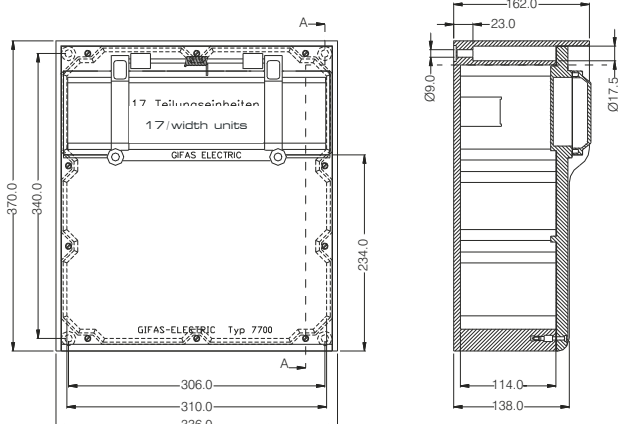


Technical data

Width x height x depth	336 x 370 x 162 mm
Type of protection	IP44 (up to IP65 possible)
Housing material	Solid rubber (vulcanised butyl rubber) available in black or grey
Specifications of the housing	Halogen-free, UV-resistant, resistant to oils and various acids and alkalis
Gasket seal	Foamed polyurethane gasket seal
Cover fixing	Stainless steel screw TORX T15 A4 for 17 width units
Macrolon cover	
Protective insulation	4-way wall mounting outside the wiring space partitioned off

Equipment examples

EDP No.	EDP No. F&B	Product ID No.	Entry	Fusing	Equipment	
60668	85099	7731937.0.03.63.XF.912022.ETA.	1/M32	1/MCB 3pol. 32A 1/MCB 3pol. 16A 3/MCB 1pol. 16A 1/RCD 4pol. 63/0.03A 1/MCB 1pol. 2A 1/ETA 5A	1/CEE 5x32A 400V 1/CEE 5x16A 400V 3/Schuko 16A 230V (24V separated from 230V partition) 1/transformer 120VA 230/24V 2/CEE 2x16A 24V	
106067	85101	7769.31937.0.03.63.XF.5HKL16.1M32.	1/M32	1/MCB 3pol. 63A 1/MCB 3pol. 32A 1/MCB 3pol. 16A 3/MCB 1pol. 16A 1/RCD 4pol. 63/0.03A	1/CEE 5x63A 400V 1/CEE 5x32A 400V 1/CEE 5x16A 400V 3/Schuko 16A 230V	
87893	85103	7763394G7.0,03.63.XF.1M32.	1/M32	1/MCB 3pol. 63A 2/MCB 3pol. 32A 2/MCB 1pol. 16A 1/RCD 4pol. 63/0.03A	1/CEE 5x63A 400V 2/CEE 5x32A 400V 4/Schuko 16A 230V	
89828	85105	77631937.0,03.63.XF.HKL16.2M40.	2/M40	1/MCB 3pol. 63A 1/MCB 3pol. 32A 1/MCB 3pol. 16A 3/MCB 1pol. 16A 1/RCD 4pol. 63/0.03A	1/CEE 5x63A 400V 1/CEE 5x32A 400V 1/CEE 5x16A 400V 3/Schuko 16A 230V	
85630	110507	77311947.0,03.63.XF.1M32.	1/M32	1/MCB 3pol. 32A 2/MCB 3pol. 16A 4/MCB 1pol. 16A 1/RCD 4pol. 63/0.03A	1/CEE 5x32A 400V 2/CEE 5x16A 400V 4/Schuko 16A 230V	
75613	85107	77111192G7.0,03.63.XF.1M40.	1/M40	4/MCB 3pol. 16A 1/MCB 1pol. 16A 1/RCD 4pol. 63/0.03A	4/CEE 5x16A 400V 2/Schuko 16A 230V	



Design the optimum solution for your requirements with our engineers.

Series 7750



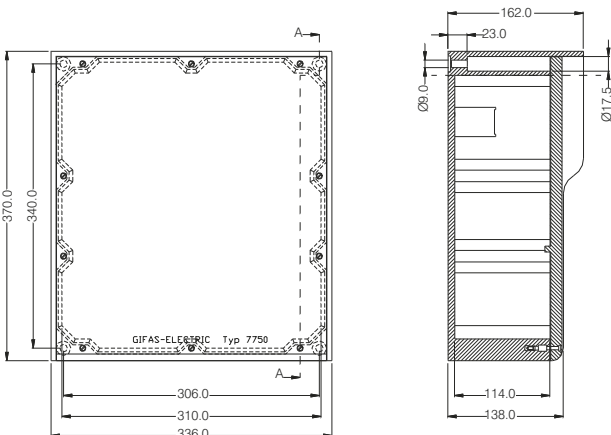
Technical data

Width x height x dept	336 x 370 x 162 mm
Type of protection	IP44 (up to IP65 possible)
Housing material	Solid rubber (vulcanised butyl rubber)
Specifications of the housing	Halogen-free, UV-resistant, resistant to oils and various acids and alkalis
Gasket seal	Foamed polyurethane gasket seal
Cover fixing	Stainless steel screw TORX T15 A4
Protective insulation	4-way wall mounting outside the wiring space partitioned off

Equipment examples

EDP No.	EDP No. F&B	Product ID No.	Entry	Fusing	Equipment	
60665	85109	7750.633111.4.2M20.2M25.1M32	1/M32 2/M25 1/M20 1/M20	unfused	1/CEE 5x63A 400V 2/CEE 5x32A 400V 3/CEE 5x16A 400V 4/Schuko 16A 230V	
60666	85110	7750.111111.5.SAK4.2M25	1/M25 1/M25	unfused	5/CEE 5x16A 400V 5/Schuko 16A 230V	
60667	85112	7750.311.4.4KN.A200.7M20.1M25	1/M25 2/M20 1/M20 4/M20	unfused	1/CEE 5x32A 400V 2/CEE 5x16A 400V 4/Schuko 16A 230V 4/on-off-switch	
60688		7750.92CEE77.30MA.10A.TEL.TV		2/MCB 1pol. 10A 2/RCD 2pol. 25/ 0.03A	2/CEE 3x16A 230V 1/Telephone socket 2/Sockets for antenna	

Design the optimum solution for your requirements with our engineers.



Series 3800 / 3900 with Macrolon cover



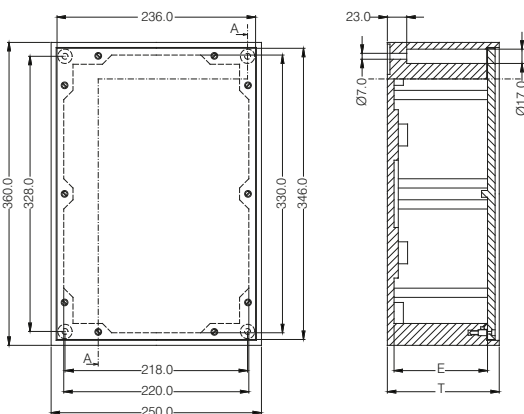
Technical data

Width x height x depth	Series 3800: 250 x 360 x 133 mm Series 3900: 250 x 360 x 173 mm
Type of protection	IP44 (up to IP65 possible)
Housing material	Solid rubber (vulcanised butyl rubber)
Specifications of the housing	Halogen-free, UV-resistant, resistant to oils and various acids and alkalis
Gasket seal	Foamed polyurethane gasket seal
Cover fixing	Stainless steel screw TORX T15 A4
Macrolon cover	for 9 / 11 / 13 / 17 width units (see solid rubber boxes chapter page 16)
Protective insulation	4-way wall mounting outside the wiring space partitioned off

Equipment examples

EDP No.	EDP No. F&B	Product ID No.	Entry	Fusing	Equipment	
111509	110509	3892.4CEE7.0.03.40.SP.10SAK6.2M25. (Macrolon cover 1x 11 TE)	2/M25	6/MCB 1pol. 16A 1/RCD 4pol. 40/0.03A	4/CEE 3x16A 230V 2/Schuko 16A 230V	
102690	110510	3931937.0.03.63.XF.1M40. (Macrolon cover 2x 9 TE)	1/M40	1/MCB 3pol. 32A 1/MCB 3pol. 16A 3/MCB 1pol. 16A 1/RCD 4pol. 63/0.03A	1/CEE 5x32A 400V 1/CEE 5x16A 400V 3/Schuko 16A 230V	
111511	110511	3911G98G7.0.03.40.SP.MP:1M32. (Macrolon cover 1x 11 TE)	1/M32	1/MCB 3pol. 16A 2/MCB 1pol. +MP 16A 1/RCD 4pol. 40/0.03A	2/CEE 5x16A 400V 8/Schuko 16A 230V	
73316	110512	39603937.0.03.63.XF.GMUNDNER. ZEMENT.01 (Macrolon cover 2x 9 TE)	2/M40	1/MCB 3pol. 32A 3/MCB 1pol. 16A 1/Fusing 3pol. 63A 1/RCD 4pol. 63/0.03A	1/CEE 5x63A 400V 1/CEE 5x32A 400V 3/Schuko 16A 230V	

Design the optimum solution for your requirements with our engineers.



Series	3800	3900
Assembly dimension (E)	110	150
Depth (T)	133	173

Series 3800 / 3900



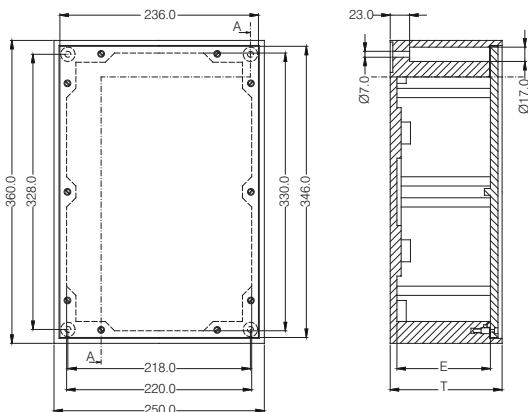
Technical data

Width x height x depth	Series 3800: 250 x 360 x 133 mm Series 3900: 250 x 360 x 173 mm
Type of protection	IP44 (up to IP65 possible)
Housing material	Solid rubber (vulcanised butyl rubber)
Specifications of the housing	Halogen-free, UV-resistant, resistant to oils and various acids and alkalis
Gasket seal	Foamed polyurethane gasket seal
Cover fixing	Stainless steel screw TORX T15 A4
Protective insulation	4-way wall mounting outside the wiring space partitioned off

Equipment examples

EDP No.	EDP No. F&B	Product ID No.	Entry	Fusing	Equipment	
92099	110513	3800.3.11.4.EKL.2M20.1M25.1M32	1/M32 1/M25 2/M20	unfused	1/CEE 5x32A 400V 2/CEE 5x16A 400V 4/Schuko 16A 230V	
104576	110514	3800.3.1.2.241629.EKL.2M20.4M25.3BST	4/M25 +2/BST 2/M20 + 1/BST	unfused	1/CEE 5x32A 400V 1/CEE 5x16A 400V 2/Schuko 16A 230V 1/CEE 2x16A 24V	
86640	110515	381111.1.LUFT.HÄNGE.	2/M25 1/Air conn. 1/2"	unfused	4/CEE 5x16A 400V 1/Schuko 16A 230V 4/air connections 1/2"	
93641		3900.6.5HKL35.1M16.2M50.PE.2M	2/M50 1/M16	unfused	1/CEE 5x63A 400V	

Design the optimum solution for your requirements with our engineers.



Series	3800	3900
Assembly dimension (E)	110	150
Depth (T)	133	173

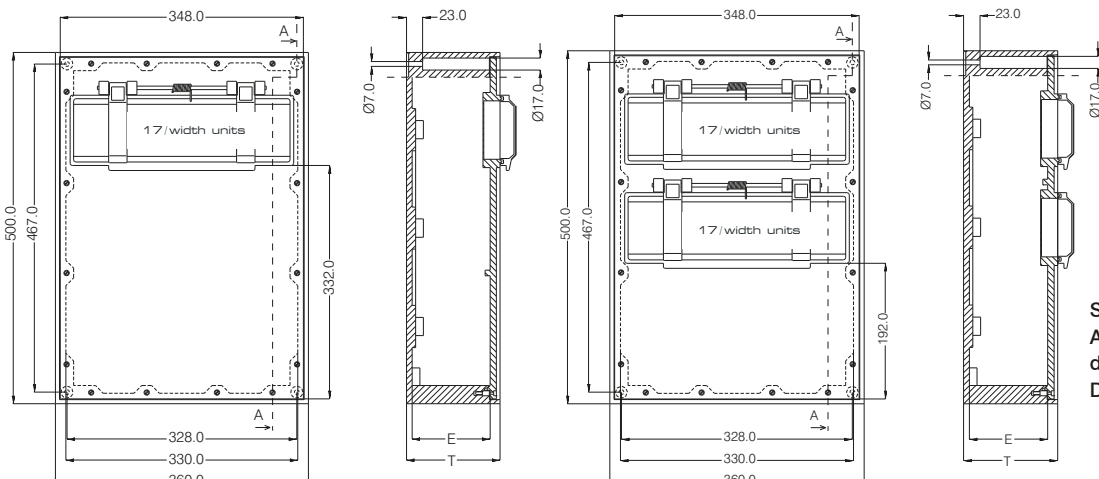
Series 7800 / 7900 with Macrolon cover



Technical data

Width x height x depth	Series 7800: 360 x 500 x 133 mm Series 7900: 360 x 500 x 173 mm
Type of protection	IP44 (up to IP65 possible)
Housing material	Solid rubber (vulcanised butyl rubber)
Specifications of the housing	Halogen-free, UV-resistant, resistant to oils and various acids and alkalis
Gasket seal	Foamed polyurethane gasket seal
Cover fixing	Stainless steel screw TORX T15 A4
Macrolon cover	for 2 x 17 width units
Protection insulation	4-way wall mounting outside the wiring space partitioned off

Equipment examples						
EDP No.	EDP No. F&B	Product ID No.	Entry	Fusing	Equipment	
101439	110516	7831196G7.0.03.63.XF.1M40.	1/M40	1/MCB 3pol. 32A 2/MCB 3pol. 16A 3/MCB 1pol. 16A 1/RCD 4pol. 63/0.03A	1/CEE 5x32A 400V 2/CEE 5x16A 400V 6/Schuko 16A 230V	
101057	110517	78311937.0.03.63.XF.912022.ETA.1M40.	1/M40	1/MCB 3pol. 32A 2/MCB 3pol. 16A 3/MCB 1pol. 16A 1/MCB 1pol. 2A 1/RCD 4pol. 63/0.03A	1/CEE 5x32A 400V 2/CEE 5x16A 400V 3/Schuko 16A 230V 2/CEE 2x16A 24V 1/Trafo 120VA 230/24V	
67917	110518	783311947.0.03.63.XF.1M40.	1/M40	2/MCB 3pol. 32A 2/MCB 3pol. 16A 4/MCB 1pol. 16A 1/RCD 4pol. 63/0.03A	2/CEE 5x32A 400V 2/CEE 5x16A 400V 4/Schuko 16A 230V	
101269	110519	79631937.0.03.63.XF.EXT.2KN.4M20.1M40.BST.	1/M40 4/M20 +2BST	1/MCB 3pol. 63A 1/MCB 3pol. 32A 1/MCB 3pol. 16A 6/MCB 1pol. 16A (1/reserve) 1/RCD 4pol. 63/0.03A	1/CEE 5x63A 400V 1/CEE 5x32A 400V 1/CEE 5x16A 400V 3/Schuko 16A 230V 2/ on-off-switch 0-1	
87379	110520	7963311927.0.03.63.XF.5HKL16.1M40.	1/M40	1/MCB 3pol. 63A 2/MCB 3pol. 32A 2/MCB 3pol. 16A 2/MCB 1pol. 16A 1/RCD 4pol. 63/0.03A	1/CEE 5x63A 400V 2/CEE 5x32A 400V 2/CEE 5x16A 400V 2/Schuko 16A 230V	



Design the optimum solution for your requirements with our engineers.

Series	7800	7900
Assembly dimension (E)	110	150
Depth (T)	133	173

Series 7800 / 7900

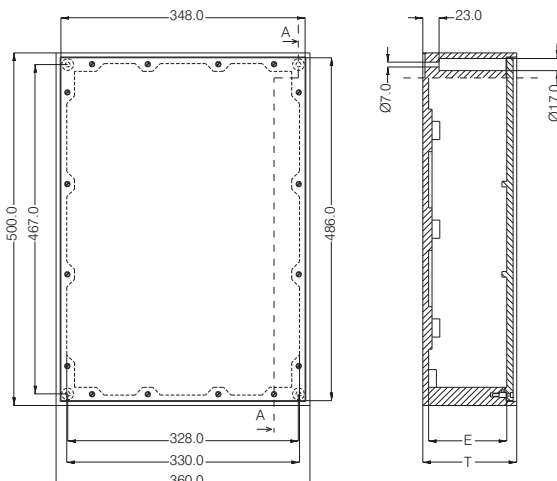


Technical data

Width x height x depth	Series 7800: 360 x 500 x 133 mm Series 7900: 360 x 500 x 173 mm
Type of protection	IP44 (up to IP65 possible)
Housing material	Solid rubber (vulcanised butyl rubber)
Specifications of the housing	Halogen-free, UV-resistant, resistant to oils and various acids and alkalis
Gasket seal	Foamed polyurethane gasket seal
Cover fixing	Stainless steel screw TORX T15 A4
Protective insulation	4-way wall mounting outside the wiring space, partitioned off

Equipment examples						
EDP No.	EDP No. F&B	Product ID No.	Entry	Fusing	Equipment	
45816	110521	7931.3.025022.ETA.EKL.4M	1/M32 1/M25 2/M20	unfused	1/CEE 5x32A 400V 1/CEE 5x16A 400V 3/Schuko 16A 230V 2/CEE 2x16A 24V 1/transformer 250VA 230/24V 1/Glass tube fuse 3A	
42315	110522	799311.2.NA.TEL.SAK.8M	1/M63 1/M32 2/M25 3/M20 1/M16	unfused	1/CEE 5x125A 400V 1/CEE 5x32A 400V 2/CEE 5x16A 400V 2/Schuko 16A 230V 1/emergency pushbutton 1/telephone socket RJ45	

Design the optimum solution for your requirements with our engineers.



Series	7800	7900
Assembly dimension (E)	110	150
Depth (T)	133	173

Series 7800 / 7900 with door



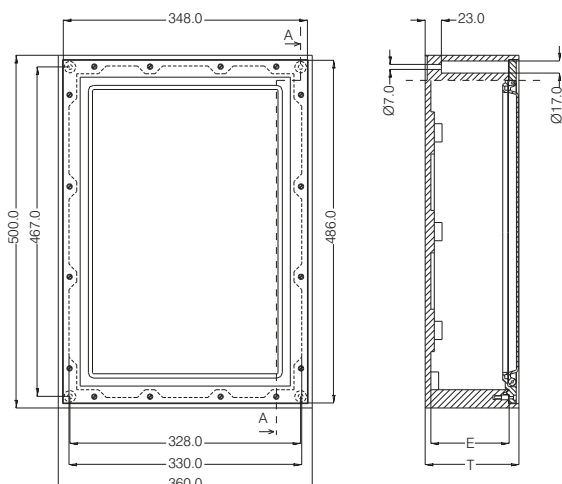
Technical data

Width x height x depth	Series 7800: 360 x 500 x 133 mm Series 7900: 360 x 500 x 173 mm
Type of protection	IP44
Housing material	Solid rubber (vulcanised butyl rubber)
Specifications of the housing	Halogen-free, UV-resistant, resistant to oils, various acids and alkalis
Gasket seal	Foamed polyurethane gasket seal
Cover fixing	Hinge / rotating lock
Appliances cut out 45mm	maximum 36 width units
Protective insulation	4-way wall mounting outside the wiring space partitioned off

Equipment examples

EDP No.	EDP No. F&B	Product ID No.	Entry	Fuse	Equipment	
77493	110523	79TI1917.0.03.HF.EXT.LS32A.2M32.	2/M32	1/MCB 3pol. 32A 1/MCB 3pol. 16A 1/MCB 1pol. 16A 1/RCD 4pol. 63/0.03A	1/CEE 5x16A 400V 1/Schuko 16A 230V	
77490	110524	79TIS.1192.1M32.	1/M32	2/MCB 3pol. 16A 2/MCB 1pol. 16A	2/CEE 5x16A 400V 2/Schuko 16A 230V	
88729	110525	79TI31927.0.03.XF.RIEGELSCHL.M40.ALU.	1/M40	1/MCB 3pol. 32A 1/MCB 3pol. 16A 2/MCB 1pol. 16A 1/RCD 4pol. 63/0.03A	1/CEE 5x32A 400V 1/CEE 5x16A 400V 2/Schuko 16A 230V	
77491	110526	79TIS.1947.0.03.XF.2LS.2KN.EXT.	1/M32 2/M20	1/MCB 3pol. 16A 6/MCB 1pol. 16A 1/RCD 4pol. 63/0.03A	1/CEE 5x16A 400V 4/Schuko 16A 230V 1/on-off-switch 0-1 1/Switch Hand-0-Auto	

Design the optimum solution for your requirements with our engineers.



Series	7800	7900
Assembly dimension (E)	110	150
Depth (T)	133	173

Application examples / customer solutions



EDP No. 69472



EDP No.56161



EDP No. 85806



EDP No.88184



EDP No. 89670



EDP No. 87193 / 87194



EDP No. 79898



EDP No. 85348 / 87235 / 91387

Application examples / customer solutions



EDP No. 88344



Series 5036A



EDP No. 90905 / 90906



EDP No. 53828 / 62078

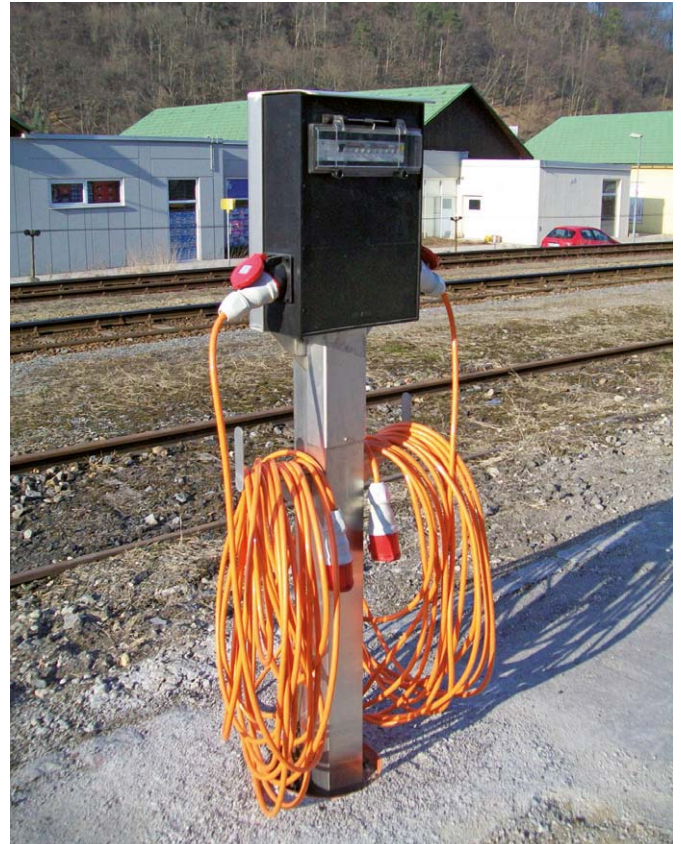


EDP No. 90184

Application examples / customer solutions



EDP No. 85887



EDP No. 93927



EDP No. 82242



EDP No. 83339

CONTACT US



GIFAS
ELECTRIC

GIFAS ELECTRIC
Gesellschaft m.b.H
Strass 2
5301 Eugendorf
AUSTRIA

www.gifas.at
verkauf@gifas.at
+43 6225/7191-0
+43 6225/7191-561
+49 8654/404-2000