

SYSTEMATIC QUALITY



## Portable solid rubber junction boxes



## Portable solid rubber small distributor

Pages 4 - 5

Series 1800



Page 4

Series 1400



Page 5

## Portable solid rubber distributor

Pages 6 - 12

Series 6200



Page 6

Series 6700



Page 7

Series 3500



Page 8

Series 4000



Page 9

Series 7400 / 7700



Page 10

Series 7900



Page 11

## Operating hour counter Portable electricity meter

Pages 13 - 15

Series 2100



Page 13

Series 1812 with counter



Page 13

Series 6200 with counter



Page 14

Series 6700 with counter



Page 14

Series 7400 with counter



Page 15

Series 7900 with counter



Page 15

## Application examples

Pages 16 - 17

Application examples



Pages 16 - 17

Series  
2 / 4x7900



Page 12

#### Solid rubber material

- High mechanical strength: unbreakable, impact-resistant, dimensionally stable and resistant to aging.
- The stainless cover screws are captive.
- No corrosion.
- Dust and water jet proof (up to IP65).
- No formation of condensation (even with strong temperature fluctuations).
- High temperature resistance from  $-30^{\circ}$  to  $80^{\circ}$  C.
- Resistant to chemical influences (oils, fats, numerous acids and alkalis).
- Weather, UV and ozone resistant.
- The special mixture of butyl rubber is self-extinguishing, halogen and silicone free. Low smoke in case of fire. No release of caustic or toxic substances.
- Proven Quality.

#### For universal application

- Very easy processing of the solid rubber housing with commercially available tools such as twist drills, step drills, milling cutters, etc.
- Cable entries can be placed exactly where they are necessary for a clean installation.
- Time-saving retrofitting on already assembled housings.
- No predetermined fastening points on the case bottom, therefore free space allocation.
- Easy mounting of the built-in parts using chipboard screws.
- All commercially available terminals can be installed.
- Effortless machining of the front panel.
- Rapid installation of sockets, buttons, switches, command and signaling devices.

#### Safe, indestructible

- For all areas of application in industry and trade.
- For dry and damp rooms.
- For outdoor use, in rain, snow or sunlight.
- Perfect assembly according to your specifications and wishes (with cable glands, standard rails, terminals, switches, buttons, but also with Schuko and CEE sockets or with other plug systems).
- On request, engraving or labeling plates for marking operational information.

## Series 1800



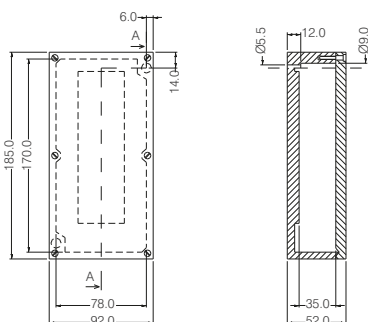
### Technical data

Width x height x depth	92 x 185 x 52 mm
Type of protection	IP44
Housing material	Solid rubber (vulcanised butyl rubber)
Specifications of the housing	Halogen-free, UV-resistant, resistant to oils and various acids and alkalis
Gasket seal	Foamed polyurethane gasket seal
Cover fixing	Stainless steel cross-head screw

Portable wired solid rubber distributor - ready for operation.

Equipment examples Series 1800					
EDP No.	EDP No. F&B	Product ID No.	Entry	Fusing	Equipment
82241	85116	183.S5.GG	5 m connection cable 3x1.5 mm <sup>2</sup> and Schuko plug	unfused	3/Schuko 16A 230V
79138	85117	183.S10.GG	10 m connection cable 3x1.5 mm <sup>2</sup> and Schuko plug	unfused	3/Schuko 16A 230V

Design the optimum solution for your requirements with our engineers.  
Engraving is possible.



## Series 1400








### Technical data

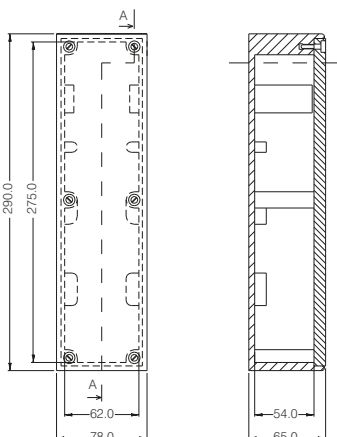
Width x height x depth	78 x 290 x 64 mm
Type of protection	IP44
Housing material	Solid rubber (vulcanised butyl rubber)
Cover	Polycarbonat
Specifications of the housing	Halogen-free, UV-resistant, resistant to oils, various acids and alkalis
Gasket seal	Solid rubber round cord
Cover fixing	Stainless steel cross-head screw
Macrolon cover	with or without Makrolon cover for 2 modules depending on type

Portable wired solid rubber distributor - ready for operation.

### Equipment examples Series 1400

EDP No.	EDP No. F&B	Product ID No.	Entry	Fusing	Equipment
67084	85119	1400.4.S5.GG.HASPEL	5 m connection cable 3x1.5 mm <sup>2</sup> with mounted Schuko plug and cable hasp	unfused	4/Schuko 16A 230V 
70249	85122	1400.4.S5.GG	5 m connection cable 3x1.5 mm <sup>2</sup> with Schuko plug without cable hasp	unfused	4/Schuko 16A 230V 
74329	85123	1400.4.S10.GG	10 m connection cable 3x1.5 mm <sup>2</sup> with Schuko plug without cable hasp	unfused	4/Schuko 16A 230V 
62067	85124	1400.27.0.03.S5.GG.HASPEL.	5 m connection cable 3x1.5 mm <sup>2</sup> with mounted Schuko plug and cable hasp	1/RCD 2pol. 25/0.03A	2/Schuko 16A 230V 
82239	85125	1400.27.0.03.FILS.S5.GG.HASPEL.	5 m connection cable 3x1.5 mm <sup>2</sup> with Schuko-plug and cable hasp	1/combi-switch RCBO 2pol. 16A/ 0.03A	2/Schuko 16A 230V 

Design the optimum solution for your requirements with our engineers.  
Engraving is possible.



## Series 6200 (stackable)



### Technical data

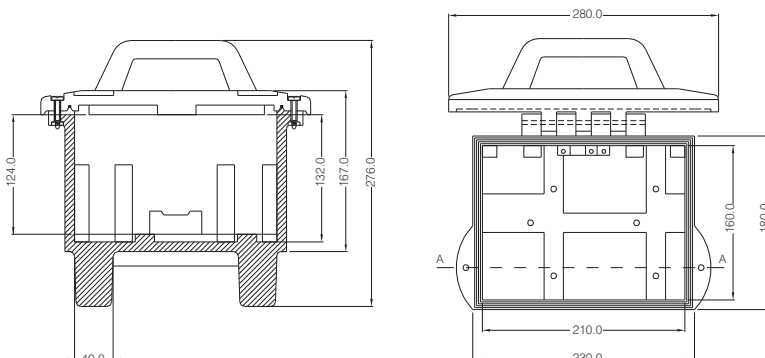
Width x height x depth	280 x 276 x 180 mm
Type of protection	IP44 (up to IP65 possible)
Housing material	Solid rubber (vulcanised butyl rubber)
Specifications of the housing	Halogen-free, UV-resistant, resistant to oils and various acids and alkalis
Gasket seal	Foamed polyurethane gasket seal
Cover fixing	Knurled screws
Contour of the appliance	45 mm maximum 7 width units

Portable wired solid rubber distributor - ready for operation.

### Equipment examples Series 6200

EDP No.	EDP No. F&B	Product ID No.	Entry	Fusing	Equipment
111516	85142	6216137.0,03.GG.	3 m connection cable 5x2.5 mm <sup>2</sup> with solid rubber CEE-plug 5x16A 400V	unfused unfused 1/RCD 4pol. 40/0.03A	1/CEE 5x16A 400V 3/Schuko 16A 230V
103204	85144	62161147.0,03.40.SPGG.	3 m connection cable 5x2.5 mm <sup>2</sup> with solid rubber CEE-plug 5x16A 400V	unfused unfused 1/RCD 4pol. 40/0.03A	2/CEE 5x16A 400V 4/Schuko 16A 230V
92954	85145	6232957.0,03.SPGG.	3 m connection cable 5x4.0 mm <sup>2</sup> with solid rubber CEE-plug 5x32A 400V	5/MCB 1pol. 16A 1/RCD 4pol. 40/0.03A	5/Schuko 16A 230V

Design the optimum solution for your requirements with our engineers.  
Engraving is possible.



Series 6700 (stackable)



Technical data

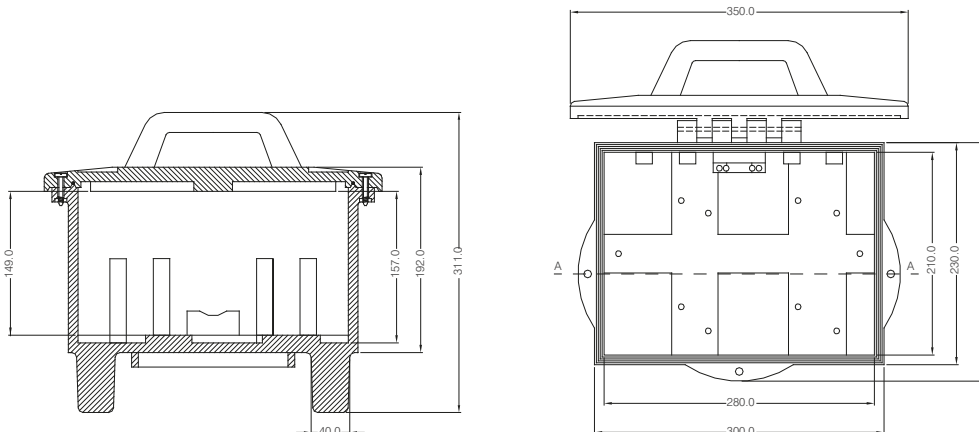
Width x height x depth	350 x 311 x 247 mm
Type of protection	IP44 (up to IP65 possible)
Housing material	Solid rubber (vulcanised butyl rubber)
Specifications of the housing	Halogen-free, UV-resistant, resistant to oils and various acids and alkalis
Gasket seal	Foamed polyurethane gasket seal
Cover fixing	Knurled screws
Contour of the appliance	45 mm maximum 20 width units

Portable wired solid rubber distributor - ready for operation.

Equipment examples Series 6700

EDP No.	EDP No. F&B	Product ID No.	Entry	Fusing	Equipment
111518	85129	6732997.0,03.SP.GG.	3 m connection cable 5x4.0 mm <sup>2</sup> with solid rubber CEE-plug 5x32A 400V	9/MCB 1pol. 1/RCD 4pol. 40/0.03A	9/Schuko 16A 230V 
111520	85131	67323.11G937.0,03.SP.GG.	3 m connection cable 5x4.0 mm <sup>2</sup> with solid rubber CEE-plug 5x32A 400V	unfused 1/MCB 3pol. 16A 3/MCB 1pol. 16A 1/RCD 4pol. 40/0.03A	1/CEE 5x32A 400V 2/CEE 5x16A 400V 3/Schuko 16A 230V 
111523	85134	6732333.94G7.0,03.SP.GG.	3 m connection cable 5x4.0 mm <sup>2</sup> with solid rubber CEE-plug 5x32A 400V	unfused 2/MCB 1pol. 16A 1/RCD 4pol. 40/0.03A	3/CEE 5x32A 400V 4/Schuko 16A 230V 
70388	85137	6763333937.0,03.63.XF.	3 m connection cable 5x16 mm <sup>2</sup> with solid rubber CEE-plug 5x63A 400V	3/MCB 3pol. 32A 3/MCB 1pol. 16A 1/RCD 4pol. 63/0.03A	3/CEE 5x32A 400V 3/Schuko 16A 230V 
91881	85139	67633311947.0,03.63.XF.GG.	3 m connection cable 5x16 mm <sup>2</sup> with solid rubber CEE-plug 5x63A 400V	2/MCB 3pol. 32A 2/MCB 3pol. 16A 4/MCB 1pol. 16A 1/RCD 4pol. 63/0.03A	2/CEE 5x32A 400V 2/CEE 5x16A 400V 4/Schuko 16A 230V 

Design the optimum solution for your requirements with our engineers. Engraving is possible.



## Series 3500



### Technical data

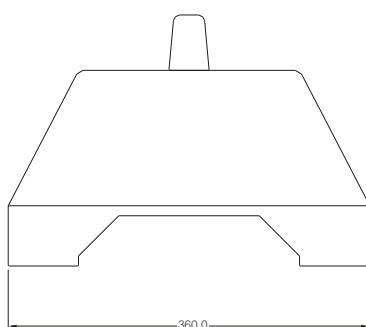
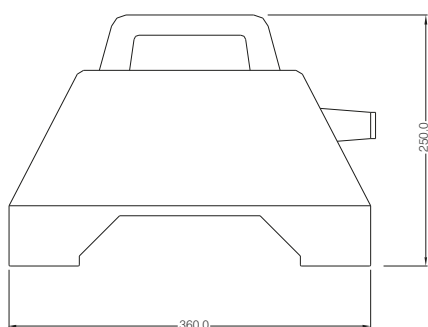
Width x height x depth	360 x 250 x 360 mm
Type of protection	IP44
Housing material	Solid rubber (vulcanised butyl rubber)
Specifications of the housing	Halogen-free, UV-resistant, resistant to oils and various acids and alkalis
Gasket seal	Solid rubber round cord
Cover fixing	Stainless steel cross-head screw
Macrolon cover	maximum 2x11 width units

Portable wired solid rubber distributor - ready for operation.

### Equipment examples Series 3500

EDP No.	EDP No. F&B	Product ID No.	Entry	Fusing	Equipment
72508	129030	35321111947.0,03.40. XF.SP.GG.	3 m connection cable 5x4.0 mm <sup>2</sup> with solid rubber CEE-plug 5x32A 400V	4/MCB 3pol. 16A 4/MCB 1pol. 16A 1/RCD 4pol. 40/0.03A	4/CEE 5x16A 400V 4/Schuko 16A 230V 
84091	129032	353233.11947.0,03.40. XF.SP.GG.	3 m connection cable 5x4.0 mm <sup>2</sup> with solid rubber CEE-plug 5x32A 400V	unfused 2/MCB 3pol. 16A 4/MCB 1pol. 16A 1/RCD 4pol. 40/0.03A	2/CEE 5x32A 400V 2/CEE 5x16A 400V 4/Schuko 16A 230V 
67552	129033	35633333947.0,03.63. XF.SP.GG.	3 m connection cable 5x16 mm <sup>2</sup> with solid rubber CEE-plug 5x63A 400V	4/MCB 3pol. 32A 4/MCB 1pol. 16A 1/RCD 4pol. 63/0.03A	4/CEE 5x32A 400V 4/Schuko 16A 230V 
47134	129034	35636.31967.0,03.63. XF.SP.GG.	3 m connection cable 5x16 mm <sup>2</sup> with solid rubber CEE-plug 5x63A 400V	unfused 1/MCB 3pol. 32A 1/MCB 3pol. 16A 6/MCB 3pol. 16A 1/RCD 4pol. 63/0.03A	1/CEE 5x63A 400V 1/CEE 5x32A 400V 1/CEE 5x16A 400V 6/Schuko 16A 230V 
81314		35125.2x3012559.	3 m connection cable 5x35 mm <sup>2</sup> with CEE-plug 5x125A 400V	unfused	2/CEE 5x125A 400V 

Design the optimum solution for your requirements with our engineers.  
Engraving is possible.





Series 4000



**Technical data**

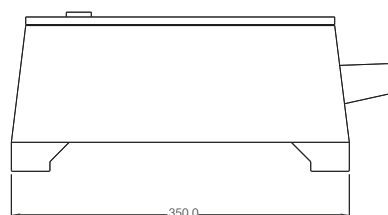
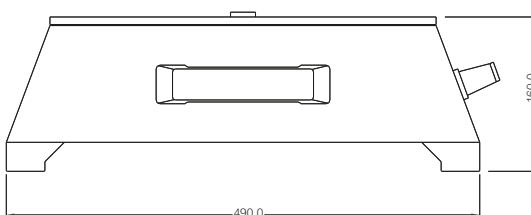
Width x height x depth	490 x 160 x 350 mm
Type of protection	IP44
Housing material	Solid rubber (vulcanised butyl rubber)
Specifications of the housing	Halogen-free, UV-resistant, resistant to oils and various acids and alkalis
Gasket seal	Foamed polyurethane gasket seal
Cover fixing	Hinge / rotating lock
Contour of the appliance 45 mm	maximum 28 width units

Portable wired solid rubber distributor - ready for operation.

**Equipment examples Series 4000**

EDP No.	EDP No. F&B	Product ID No.	Entry	Fusing	Equipment
67485	85159	40633311997.0.03.63.XF.	3 m connection cable 5x16 mm <sup>2</sup> with solid rubber CEE-plug 5x63A 400V	2/MCB 3pol. 32A 2/MCB 3pol. 16A 9/MCB 1pol. 16A 1/RCD 4pol. 63/0.03A	2/CEE 5x32A 400V 2/CEE 5x16A 400V 9/Schuko 16A 230V 
83918	85160	40636.333111967.0.03.63.XF.	3 m connection cable 5x16 mm <sup>2</sup> with solid rubber CEE-plug 5x63A 400V	unfused 3/MCB 3pol. 32A 3/MCB 3pol. 16A 6/MCB 1pol. 16A 1/RCD 4pol. 63/0.03A	1/CEE 5x63A 400V 3/CEE 5x32A 400V 3/CEE 5x16A 400V 6/Schuko 16A 230V 
48002	85162	40631111967.0.03.63.XF.	3 m connection cable 5x16 mm <sup>2</sup> with solid rubber CEE-plug 5x63A 400V	4/MCB 3pol. 16A 6/MCB 1pol. 16A 1/RCD 4pol. 63/0.03A	4/CEE 5x16A 400V 6/Schuko 16A 230V 
79371	85163	4063331199G77.0.03.63.XF.GG.	3 m connection cable 5x16 mm <sup>2</sup> with solid rubber CEE-plug 5x63A 400V	2/MCB 3pol. 32A 2/MCB 3pol. 16A 6/MCB 1pol. 16A 2/RCD 4pol. 63/0.03A	2/CEE 5x32A 400V 2/CEE 5x16A 400V 9/Schuko 16A 230V 
48004		4012566G33977.0.03.63.XF.	3 m connection cable 5x35 mm <sup>2</sup> with CEE-plug 5x125A 400V	1/MCB 3pol. 63A 2/MCB 3pol. 32A 1/RCD 4pol. 63/0.03A 1/RCD 4pol. 63/0.03A	2/CEE 5x63A 400V 2/CEE 5x32A 400V 

Design the optimum solution for your requirements with our engineers.  
Engraving is possible.



## Series 7400 / 7700 - Stand



### Technical data

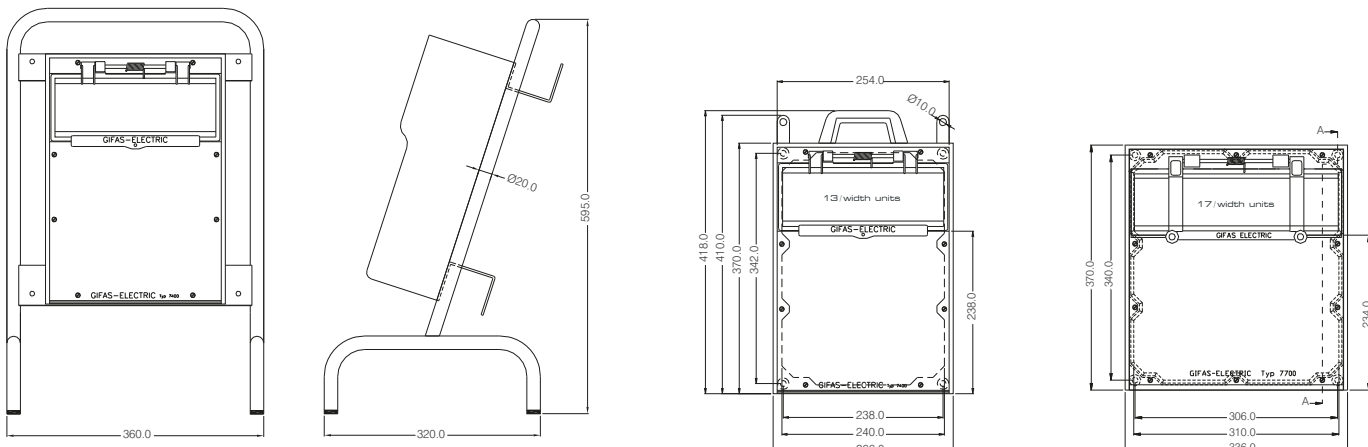
Width x height x depth	maximum 360 x 595 x 320 mm (with stand)
Type of protection	IP44 (up to IP65 possible)
Housing material	Solid rubber (vulcanised butyl rubber)
Specifications of the housing	Halogen-free, UV-resistant, resistant to oils and various acids and alkalis
Gasket seal	Foamed polyurethane gasket seal
Cover fixing	Stainless steel screw TORX T15 A4
Macrolon cover	maximum 13/17 width units

Portable wired solid rubber distributor - ready for operation.

### Equipment examples

EDP No.	EDP No. F&B	Product ID No.	Entry	Fusing	Equipment
111527	85166	74321.1937.0.03.SPGG. GESTELL.	3 m connection cable 5x4.0 mm <sup>2</sup> with solid rubber CEE-plug 5x32A 400V	2/MCB 3pol. 16A 3/MCB 1pol. 16A 1/RCD 4pol. 40/0,03A	2/CEE 5x16A 400V 3/Schuko 16A 230V 
111528	85168	74323.1937.0.03.SPGG. GESTELL.	3 m connection cable 5x4.0 mm <sup>2</sup> with solid rubber CEE-plug 5x32A 400V	unfused 1/MCB 3pol. 16A 3/MCB 1pol. 16A 1/RCD 4pol. 40/0,03A	1/CEE 5x32A 400V 1/CEE 5x16A 400V 3/Schuko 16A 230V 
111529	85170	77323.11G94G7.0.03. SPGG.GESTELL.	3 m connection cable 5x4.0 mm <sup>2</sup> with solid rubber CEE-plug 5x32A 400V	unfused 1/MCB 3pol. 16A 2/MCB 1pol. 16A 1/RCD 4pol. 40/0,03A	1/CEE 5x32A 400V 2/CEE 5x16A 400V 4/Schuko 16A 230V 
105870	85172	77636.31937.0.03.63. XFGG.GESTELL.	3 m connection cable 5x16 mm <sup>2</sup> with solid rubber CEE-plug 5x63A 400V	unfused 1/MCB 3pol. 32A 1/MCB 3pol. 16A 3/MCB 1pol. 16A 1/RCD 4pol. 63/0,03A	1/CEE 5x63A 400V 1/CEE 5x32A 400V 1/CEE 5x16A 400V 3/Schuko 16A 230V 
41743		7400.7700.GESTELL.M			Pedestal
10177		GU.GRIFF			Handgrip
10634		1000.HÄLA			Hanging lug

Design the optimum solution for your requirements with our engineers. Engraving is possible.



Series 7900 - Stand



Technical data

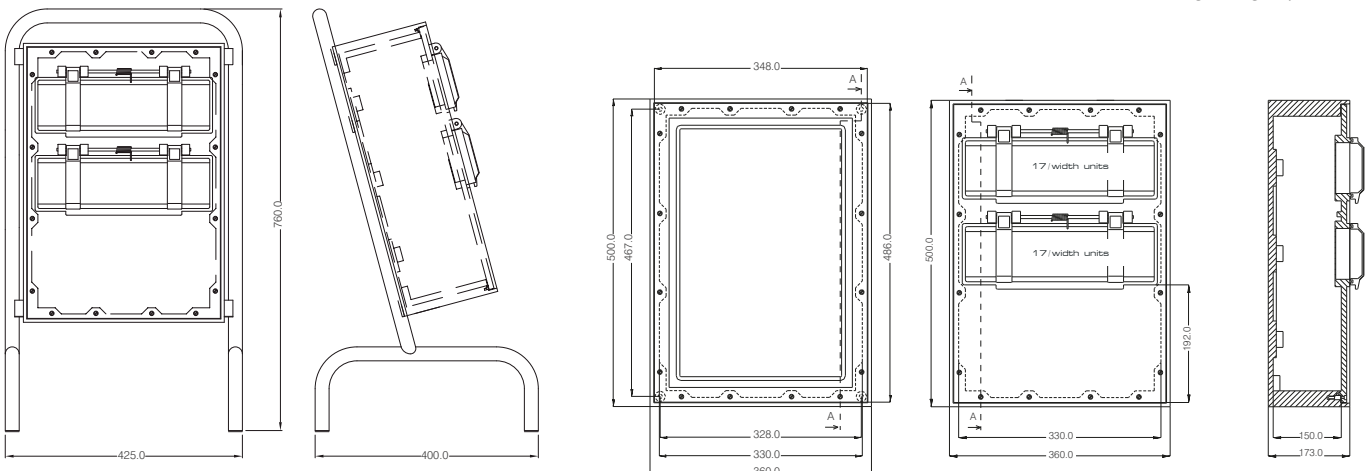
Width x height x depth	maximum 425 x 760 x 400 mm (with stand)
Type of protection	IP44 (up to IP65 possible)
Housing material	Solid rubber (vulcanised butyl rubber)
Specifications of the housing	Halogen-free, UV-resistant, resistant to oils and various acids and alkalis
Gasket seal	Foamed polyurethane gasket seal
Cover fixing	Stainless steel screw TORX T15 A4
Macrolon cover	maximum 2x17 width units

Portable wired solid rubber distributor - ready for operation.

Equipment examples

EDP No.	EDP No. F&B	Product ID No.	Entry	Fusing	Equipment
89716	85173	796331111967.0.03.63. XF.GG.GEST.	3 m connection cable 5x16 mm <sup>2</sup> with solid rubber CEE-plug 5x63A 400V	1/MCB 3pol. 32A 4/MCB 3pol. 16A 6/MCB 1pol. 16A 1/RCD 4pol. 63/0,03A	1/CEE 5x32A 400V 4/CEE 5x16A 400V 6/Schuko 16A 230V 
48487	85178	79T633111967.0.03.63. XF.ST. (Model with door)	3 m connection cable 5x16 mm <sup>2</sup> with solid rubber CEE-plug 5x63A 400V	1/MCB 3pol. 32A 3/MCB 3pol. 16A 6/MCB 1pol. 16A 1/RCD 4pol. 63/0,03A	1/CEE 5x32A 400V 3/CEE 5x16A 400V 6/Schuko 16A 230V 
107431	85180	7963331111937.0.03.63. XF.ST.	3 m connection cable 5x16 mm <sup>2</sup> with solid rubber CEE-plug 5x63A 400V	2/MCB 3pol. 32A 4/MCB 3pol. 16A 3/MCB 1pol. 16A 1/RCD 4pol. 63/0,03A	2/CEE 5x32A 400V 4/CEE 5x16A 400V 3/Schuko 16A 230V 
48486	85181	79T6333111937.0.03.63. XF.ST. (Model with door)	3 m connection cable 5x16 mm <sup>2</sup> with solid rubber CEE-plug 5x63A 400V	2/MCB 3pol. 32A 3/MCB 3pol. 16A 3/MCB 1pol. 16A 1/RCD 4pol. 63/0,03A	2/CEE 5x32A 400V 3/CEE 5x16A 400V 3/Schuko 16A 230V 

Design the optimum solution for your requirements with our engineers.  
Engraving is possible



## Series 7900



### Technical data

Type of protection	IP44 (up to IP65 possible)
Housing material	Solid rubber (vulcanised butyl rubber)
Specifications of the housing	Halogen-free, UV-resistant, resistant to oils and various acids and alkalis
Gasket seal	Foamed polyurethane gasket seal
Cover fixing	Stainless steel screw TORX T15 A4
Macrolon cover	maximum 8x17 width units

Portable wired solid rubber distributor - ready for operation.

### Equipment examples Series 4x7900 - Dimensions without handles (WxHxD): 720 x 560 x 449 mm

EDP No.	EDP No. F&B	Product ID No.	Entry	Fusing	Equipment
94307	110532	4.79966333311111967777. XF.PS.GS.500A	5/Powersafe appliance plug 400V / 500A	1/switch disconnecter 3pol. 125A 6/switch disconnecter 3po. 63A 4/MCB 3pol. 32A 6/MCB 3pol. 16A 6/MCB 1pol. 16A 4/RCD 4pol. 63/0,03A	1/CEE 5x125A 400V 2/CEE 5x63A 400V  4/CEE 5x32A 400V 6/CEE 5x16A 400V 6/Schuko 16A 230V  

### Equipment examples Series 7800 + 7900 - Dimensions without carrying handles (WxHxD): 360 x 620 x 409 mm

EDP No.	EDP No. F&B	Product ID No.	Entry	Fusing	Equipment
94301		7800.796666666660. PS.GS.500A	5/Powersafe-appliance plug 400V / 500A	8/switch disconnecter 3pol. 63A	8/CEE 5x63A 400V  

### Equipment examples Series 2x7900 - Dimensions without carrying handles (WxHxD): 360 x 620 x 346 mm

EDP No.	EDP No. F&B	Product ID No.	Entry	Fusing	Equipment
94296		2.7999990.PS.GS.500A	5/Powersafe-appliance plug 400V / 500A	4/switch disconnecter 3pol. 125A	4/CEE 5x125A  

Design the optimum solution for your requirements with our engineers.  
Engraving is possible.

## Series 2100 - Operating hour counter



### Technical data

Width x height x depth	72 x 84 x 61 mm
Type of protection	IP44
Housing material	Solid rubber (vulcanised butyl rubber)
Cover	Polyamid
Specifications of the housing	Halogen-free, UV-resistant, resistant to oils, various acids and alkalis
Gasket seal	Solid rubber round cord
Cover fixing	Stainless steel cross-head screw (gasket seal with lacquer to prevent unauthorised opening)

- Review the operating hours of portable hand-held power tools.
- Decide when the device next needs testing.
- Invoice for actual operating hours of loan equipment.

### Equipment examples Series 2100

EDP No.	EDP No. F&B	Product ID No.	Entry	Fusing	Outlet	
25187	110533	21.3215.BHZ.5315	3 m connection cable 2x1.5 mm <sup>2</sup> with contour plug 16A 230V	1/Operating hour counter	5 m cable 3x1.5 mm <sup>2</sup> (without green / yellow wire), stripped incl. wire end sleeves	

Design the optimum solution for your requirements with our engineers.  
Engraving is possible


## Series 1812



### Technical data

Width x height x depth	125 x 180 x 90 mm
Type of protection	IP44 (to IP65 possible)
Housing Material	Solid rubber (vulcanised butyl rubber)
Cover	Polycarbonat
Specifications of the housing	Halogen-free, UV-resistant, resistant to oils and various acids and alkalis
Gasket seal	Foamed polyurethane gasket seal
Cover fixing	Stainless steel screw TORX T15 A4
Macrolon cover	maximum 8x17 width units

### Equipment examples Series 1812

EDP No.	EDP No. F&B	Product ID No.	Entry	Fusing	Outlet	
111531	85182	1812.S3.27.30MA. ZÄHLER.GG.	3 m connection cable 3x1.5 mm <sup>2</sup> with Schuko plug	unfused 1/RCD 2pol. 25/0.03A 1/electronic kWh-counter 230V 50Hz	2/Schuko 16A 230V	

Design the optimum solution for your requirements with our engineers.  
Engraving is possible

## Series 6200 (stackable)



### Technical data

Width x height x depth	280 x 276 x 230 mm
Type of protection	IP44 (up to IP 65 possible)
Housing material	Solid rubber (vulcanised butyl rubber)
Specifications of the housing	Halogen-free, UV-resistant, resistant to oils and various acids and alkalis
Gasket seal	Foamed polyurethane gasket seal
Cover fixing	Knurled screws
Contour of the appliance 45 mm	maximum 9 width units

### Equipment examples Series 6200

EDP No.	EDP No. F&B	Product ID No.	Entry	Fusing	Equipment
111532	85183	62161.37.0.03. SP.ZÄHLER.GG.	3 m connection cable 5x2.5 mm <sup>2</sup> with solid rubber CEE-plug 5x16A 400V	unfused unfused 1/RCD 4pol. 40/0.03A 1/electronic three- phase meter 3x400V	1/CEE 5x16A 400V 3/Schuko 16A 230V 
111533	85184	621611.37.0.03. SP.ZÄHLER.GG.	3 m connection cable 5x2.5 mm <sup>2</sup> with solid rubber CEE-plug 5x16A 400V	unfused unfused 1/RCD 4pol. 40/0.03A 1/electronic three- phase meter 3x400V	2/CEE 5x16A 400V 3/Schuko 16A 230V 

Design the optimum solution for your requirements with our engineers.  
Engraving is possible

## Series 6700 (stackable)



### Technical data

Width x height x depth	350 x 311 x 280 mm
Type of protection	IP44 (to IP 65 possible)
Housing material	Solid rubber (vulcanised butyl rubber)
Specifications of the housing	Halogen-free, UV-resistant, resistant to oils and various acids and alkalis
Gasket seal	Foamed polyurethane gasket seal
Cover fixing	Knurled screws
Contour of the appliance 45 mm	maximum 20 width units

### Equipment examples Series 6700

EDP No.	EDP No. F&B	Product ID No.	Entry	Fusing	Equipment
111535	85185	67323.1937.0.03. SP.ZÄHLER.GG.	3 m connection cable 5x4.0 mm <sup>2</sup> with solid rubber CEE-plug 5x32A 400V	unfused 1/MCB 3pol. 16A 3/MCB 1pol. 16A 1/RCD 4pol. 40/0.03A 1/electronic three- phase meter 3x400V	1/CEE 5x32A 400V 1/CEE 5x16A 400V 3/Schuko 16A 230V 

Design the optimum solution for your requirements with our engineers.  
Engraving is possible

## Series 7400



### Technical data

Width x height x depth	maximum 360 x 595 x 320 mm (with stand)
Type of protection	IP44 (up to IP65 possible)
Housing material	Solid rubber (vulcanised butyl rubber)
Specifications of the housing	Halogen-free, UV-resistant, resistant to oils, various acids and alkalis
Gasket seal	Foamed polyurethane gasket seal
Cover fixing	Stainless steel screw TORX T15 A4
Macrolon cover	maximum 13 width units

### Equipment examples Series 7400

EDP No.	EDP No. F&B	Product ID No.	Entry	Fusing	Equipment
111536	85186	74161.37.0.03. SP.ZÄHLER.GRIFF.GG.	3 m connection cable 5x2.5 mm <sup>2</sup> with solid rubber CEE-plug 5x16A 400V	unfused unfused 1/RCD 4pol. 40/0.03A 1/electronic polyphase meter 3x400V mounted on stand	1/CEE 5x16A 400V 3/Schuko 16A 230V 
111537	85187	74161.37.0.03. SP.ZÄHLER.GEST.GG.	3 m connection cable 5x2.5 mm <sup>2</sup> with solid rubber CEE-plug 5x16A 400V	unfused unfused 1/RCD 4pol. 40/0.03A 1/electronic polyphase meter 3x400V mounted on stand	1/CEE 5x16A 400V 3/Schuko 16A 230V 

Design the optimum solution for your requirements with our engineers.  
Use the possibility of engraving.

## Series 7900



### Technical data

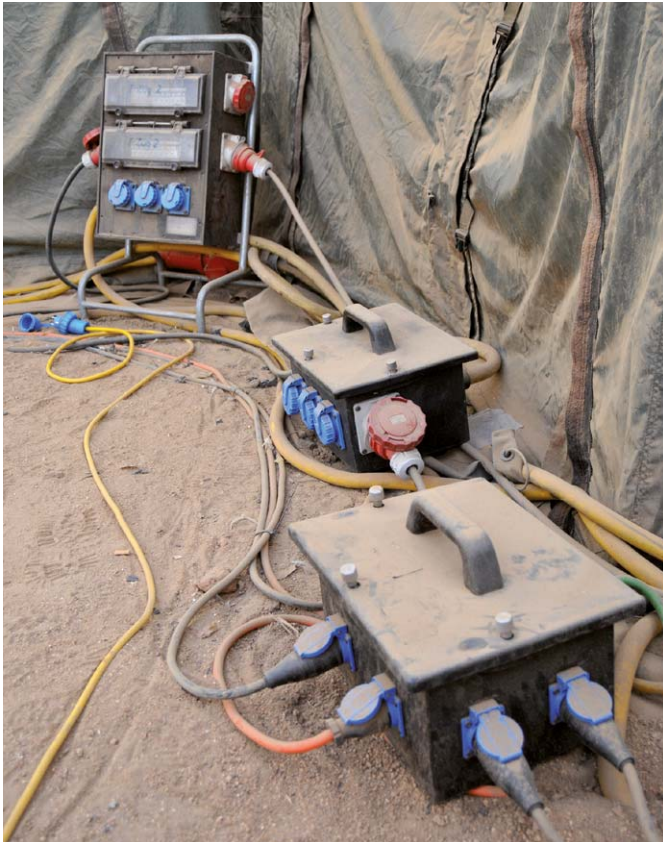
Width x height x depth	360 x 500 x 173 mm (without handle)
Type of protection	IP44
Housing material	Solid rubber (vulcanised butyl rubber)
Door:	Polycarbonat (black, transparent)
Specifications of the housing	Halogen-free, UV-resistant, resistant to oils and various acids and alkalis
Gasket seal	Foamed polyurethane gasket seal
Cover fixing	Hinge / rotating lock
Contour of the appliance 45 mm	maximum 12 width units

### Equipment examples Series 7900

EDP No.	EDP No. F&B	Product ID No.	Entry	Fusing	Equipment
111538	85188	79T161.937.0.03. SP.ZÄHLER.GRIFF.GG.	3 m connection cable 5x2.5 mm <sup>2</sup> with solid rubber CEE-plug 5x16A 400V	unfused 3/MCB 1pol. 16A 1/RCD 4pol. 40/0.03A 1/Control counter	1/CEE 5x16A 400V 3/Schuko 16A 230V 
111539	85189	79T1611G937.0.03. SP.ZÄHLER.GRIFF.GG.	3 m connection cable 5x2.5 mm <sup>2</sup> with solid rubber CEE-plug 5x16A 400V	1/MCB 3pol. 16A 3/MCB 1pol. 16A 1/RCD 4pol. 40/0.03A 1/Control counter	2/CEE 5x16A 400V 3/Schuko 16A 230V 
111540	85190	79T323.1937.0.03. SP.ZÄHL.GRIFF.GG.	3 m connection cable 5x4.0 mm <sup>2</sup> with solid rubber CEE-plug 5x32A 400V	unfused 1/MCB 3pol. 16A 3/MCB 1pol. 16A 1/RCD 4pol. 40/0.03A 1/Control counter	1/CEE 5x32A 400V 1/CEE 5x16A 400V 3/Schuko 16A 230V 
111541	85191	79T3233.927.0.03. SP.ZÄHL.GRIFF.GG.	3 m connection cable 5x4.0 mm <sup>2</sup> with solid rubber CEE-plug 5x32A 400V	unfused 2/MCB 1pol. 16A 1/RCD 4pol. 40/0.03A 1/Control counter	2/CEE 5x32A 400V 2/Schuko 16A 230V 

Design the optimum solution for your requirements with our engineers.  
Engraving is possible.

## Application examples / customer solutions



EDP No. 55015, 55508, 84719 (from back to front)



EDP No. 100408, 75722



EDP No. 101806, 101812 (from left to right)



EDP No. 71838



EDP No. 91747



Application examples / customer solutions



EDP No. 79337



EDP No. 81941



EDP No. 101135



EDP No. 88207



EDP No. 89874



EDP No. 82269





# CONTACT US

Subject to technical changes 11/2018/1.0



**GIFAS**  
ELECTRIC

GIFAS ELECTRIC  
Gesellschaft m.b.H  
Strass 2  
5301 Eugendorf  
AUSTRIA

www.gifas.at  
verkauf@gifas.at  
+43 6225/7191-0  
+43 6225/7191-561  
+49 8654/404-2000