

SYSTEMATIC QUALITY



## Solid rubber boxes



## Solid rubber boxes IP54 (IP44)

Pages 4 - 7

Series 2100



Page 4

Series 1800



Page 5

Series 1400



Page 5

Series 2500



Page 6

Series 2600



Page 6

Series 2700



Page 7

## Solid rubber boxes IP65

Pages 8 - 10

Series 1010



Page 8

Series 1212



Page 8

Series 1616



Page 9

Series 1812



Page 9

Series 2010



Page 10

Series 2516



Page 10

## Solid rubber boxes IP65 (IP54)

Pages 11 - 13

Series 3800



Page 12

Series 3900



Page 12

Series 7800



Page 13

Series 7900



Page 13

## Design options / accessories

Pages 14 - 16

Design options



Page 14

Accessories



Pages 15 - 16

## Application examples

Page 17

Application examples



Page 17

Series 3020



Page 11

Series 2612



Page 11

#### Solid rubber material

- Superior stability: shatterproof, impact-resistant, stable form and resistant to ageing.
- Integrated wall mounting provides protective insulation - separated from the wired area.
- Captive stainless steel top screws.
- No corrosion.
- Dust-tight and protected against water jets (IP65).
- No condensation (even where there are significant temperature fluctuations).
- High temperature resistance from -30° up to +80°C.
- Resistant to chemicals (oils, fat, many acids and caustics). Weather-, UV- and ozone-resistant.
- The special mixture of butyl rubber is self-extinguishing, and does not contain silicone or halogen. In case of fire it produces little smoke. No release of caustic or toxic materials.
- Tested quality.  $\text{C} \text{E}$   $\text{OVE}$   $\text{T}$

#### For universal application

- Fast on-site assembly. Adhesive drilling jig, dowel plugs and screws included (only for Series 1010, 1212, 1616, 1812, 2516 and 3020).
- Solid rubber box can be adapted easily with conventional tools such as spiral drilling machines, step drills, milling cutters, etc.
- Cable glands can be placed wherever they are needed for clean installation.
- Time-saving retrofitting on boxes that have already been installed.
- No fixed installation points on the base. You can choose where to place the partitions.
- Easy adjustment of built-in units with chipboard screws.
- All conventional clamps or binders can be built in.
- The front panel, made of polycarbonate or solid rubber, is easy to work with.
- Keys, switches, control switch and recording devices can also be quickly installed.

#### Safe, indestructible

- Suitable for all fields of application in industry and services.
- Suitable for dry and damp areas.
- Suitable for outdoor use, protected from rain, snow and sun.
- Manufactured to your specification (with attached cable glands, standard binders, switches, keys, as well as Schuko and CEE socket or other plug-in systems).
- On request: engraving or labelling for identification or operation and technical references.

## Series 2100

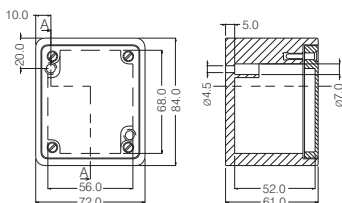


### Technical data

Width x height x depth	72 x 84 x 61 mm
Type of protection	IP54
Material	Cover: polyamide Cabinet: solid rubber halogen-free
Gasket seal	Solid rubber round cord
Cover fixing	Stainless steel cross-head screw

EDP No.	Product ID No.	Color
26413	2100.PA.L	black

All parts, including those provided by you, can be installed during the manufacturing process in the box of your choice.



**Series 1800**



**Technical data**

Width x height x depth 92 x 185 x 52 mm  
 Type of protection IP54  
 Material Cover: solid rubber halogen-free  
 Cabinet: solid rubber halogen-free  
 Gasket seal Foamed polyurethane gasket seal  
 Cover fixing Stainless steel cross-head screw

EDP No.	Product ID No.	Color
30994	1800.L	black

**Series 1400**



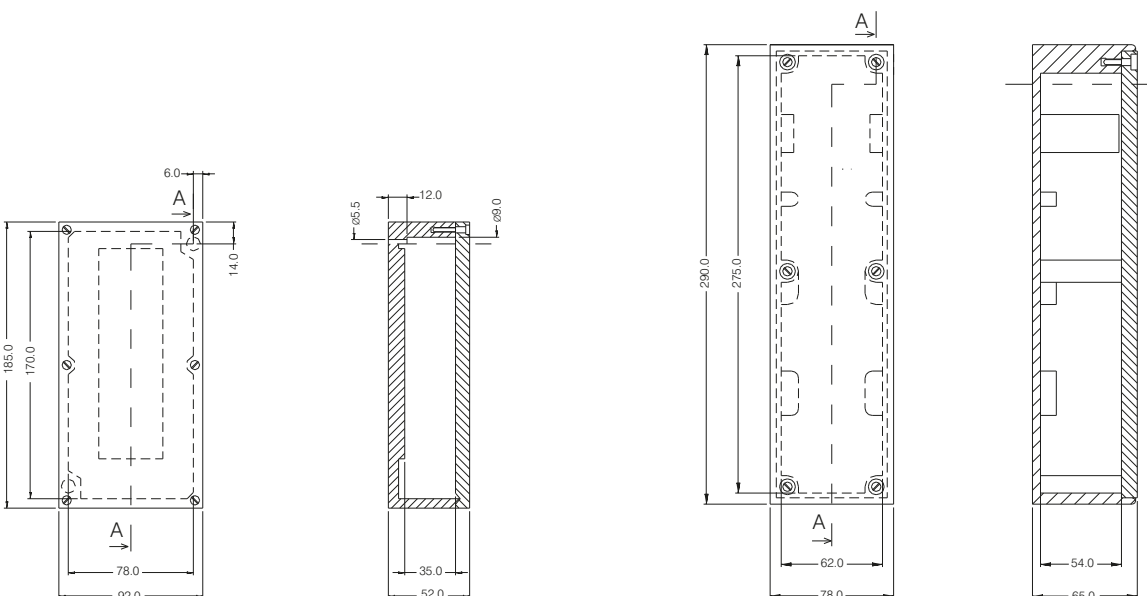
**Technical data**

Width x height x depth 78 x 290 x 65 mm  
 Type of protection IP44  
 Material Cover: polycarbonate  
 Cabinet: solid rubber halogen-free  
 Gasket seal Solid rubber round cording lip  
 Cover fixing Stainless steel cross-head slotted screw

EDP No.	Product ID No.	Color
34251	1400.L	black

All parts, including those provided by you, can be installed during the manufacturing process in the box of your choice.

All parts, including those provided by you, can be installed during the manufacturing process in the box of your choice.



## Series 2500



## Series 2600



### Technical data

Width x height x depth 110 x 110 x 79 mm  
 Type of protection IP54  
 Material Cover: polyamide  
 Cabinet: solid rubber halogen-free  
 Solid rubber round cord  
 Gasket seal  
 Cover fixing Stainless steel cross-head screw

### Technical data

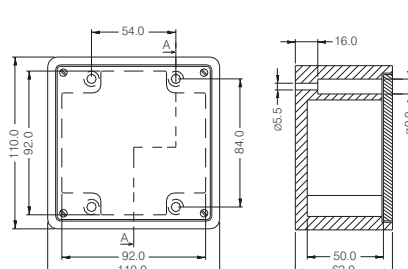
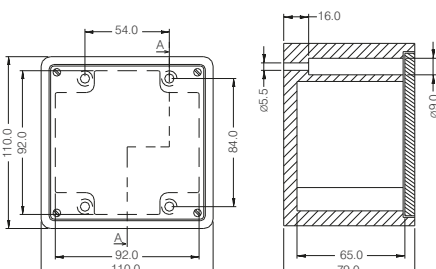
Width x height x depth 110 x 110 x 62 mm  
 Type of protection IP54  
 Material Cover: polyamide  
 Cabinet: solid rubber halogen-free  
 Solid rubber round cord  
 Gasket seal  
 Cover fixing Stainless steel cross-head screw

EDP No.	Product ID No.	Color
27537	2500.PA.L	black

EDP No.	Product ID No.	Color
26299	2600.PA.L	black

All parts, including those provided by you, can be installed during the manufacturing process in the box of your choice.

All parts, including those provided by you, can be installed during the manufacturing process in the box of your choice.



Series 2700

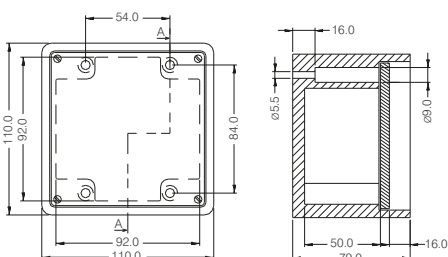


Technical data

Width x height x depth	110 x 110 x 79 mm
Type of protection	IP54
Material	Cover: polyamide Cabinet: solid rubber halogen-free
Gasket seal	Solid rubber round cord
Cover fixing	Stainless steel cross-head screw

EDP No.	Product ID No.	Color
26485	2700.PA.L	black

All parts, including those provided by you, can be installed during the manufacturing process in the box of your choice.



## Series 1010



### Technical data

Width x height x depth	100 x 100 x 65 mm
Type of protection	IP65
Material	Cover: polycarbonate (black, grey) Cabinet: solid rubber halogen-free (black, grey)
Gasket seal	Foamed polyurethane gasket seal
Cover fixing	Stainless steel cross-head slotted screw

## Series 1212



### Technical data

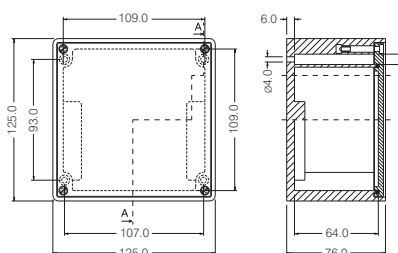
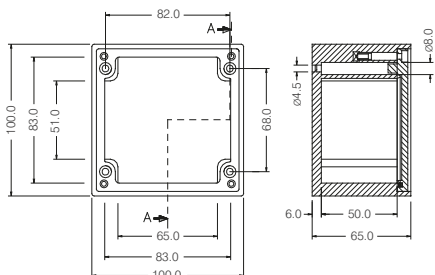
Width x height x depth	125 x 125 x 76 mm
Type of protection	IP65
Material	Cover: polycarbonate (black, grey, transparent) Cabinet: solid rubber halogen-free (black, grey)
Gasket seal	Foamed polyurethane gasket seal
Cover fixing	Stainless steel cross-head slotted screw

EDP No.	Product ID No.	Color
68130	1010.L	black
68131	1010.GRAU.L	grey

EDP No.	Product ID No.	Color
41895	1212.L	black
41896	1212.GRAU.L	grey

All parts, also those provided by you, can be installed during our fabrication process in the box of your choice

All parts, also those provided by you, can be installed during our fabrication process in the box of your choice





**Series 1616**



**Series 1812**



**Technical data**

Width x height x depth 160 x 160 x 90 mm  
 Type of protection IP65  
 Material Cover: polycarbonate (black, grey, transparent)  
 Cabinet: solid rubber halogen-free (black, grey)  
 Gasket seal Foamed polyurethane gasket seal  
 Cover fixing Stainless steel cross-head slotted screw

**Technical data**

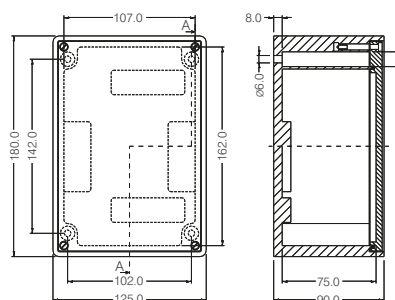
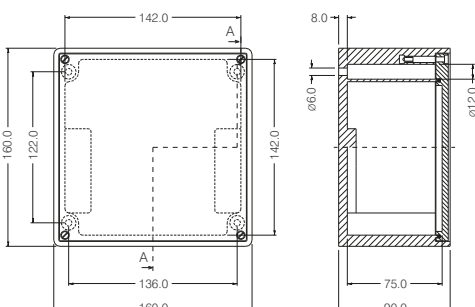
Width x height x depth 125 x 180 x 90 mm  
 Type of protection IP65  
 Material Cover: polycarbonate (black, grey, transparent)  
 Cabinet: solid rubber halogen-free (black, grey)  
 Gasket seal Foamed polyurethane gasket seal  
 Cover fixing Stainless steel cross-head slotted screw

EDP No.	Product ID No.	Color
41924	1616.L	black
41925	1616.GRAU.L	grey

EDP No.	Product ID No.	Color
41928	1812.L	black
41929	1812.GRAU.L	grey

All parts, also those provided by you, can be installed during our fabrication process in the box of your choice

All parts, also those provided by you, can be installed during our fabrication process in the box of your choice



## Series 2010



### Technical data

Width x height x depth	200 x 100 x 65 mm
Type of protection	IP67
Material	Cover: trovidur (black) Cabinet: solid rubber halogen-free (black)
Gasket seal	Foamed polyurethane gasket seal
Cover fixing	Stainless steel cross-head slotted screw

EDP No.	Product ID No.	Color
126627	2010.RWY.L	black

## Series 2516



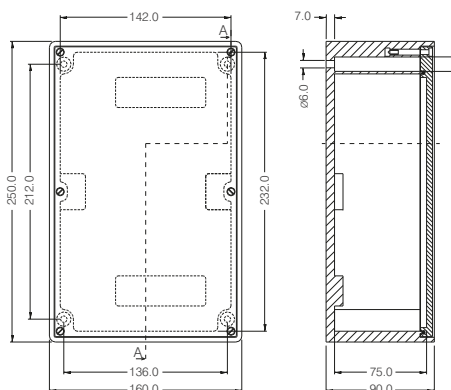
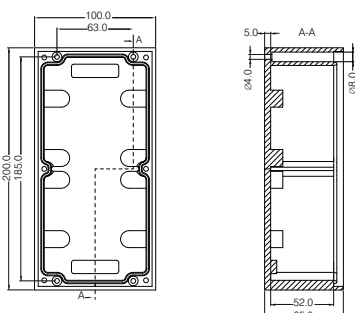
### Technical data

Width x height x depth	160 x 250 x 90 mm
Type of protection	IP65
Material	Cover: polycarbonate (black, grey, transparent) Cabinet: solid rubber halogen-free (black, grey)
Gasket seal	Foamed polyurethane gasket seal
Cover fixing	Stainless steel cross-head slotted screw

EDP No.	Product ID No.	Color
41932	2516.L	black
41933	2516.GRAU.L	grey

All parts, also those provided by you, can be installed during our fabrication process in the box of your choice

All parts, including those provided by you, can be installed during the manufacturing process in the box of your choice.



**Series 3020**

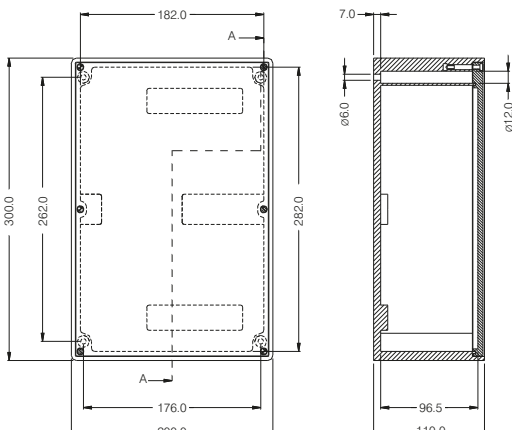


**Technical data**

Width x height x depth 200 x 300 x 110 mm  
 Type of protection IP65  
 Material Cover: polycarbonate (black, grey, transparent)  
 Cabinet: solid rubber halogen-free (black, grey)  
 Gasket seal Foamed polyurethane gasket seal  
 Cover fixing Stainless steel cross-head slotted screw

EDP No.	Product ID No.	Color
49612	3020.L	black
49614	3020.GRAU.L	grey

All parts, including those provided by you, can be installed during the manufacturing process in the box of your choice.



**Series 2612**

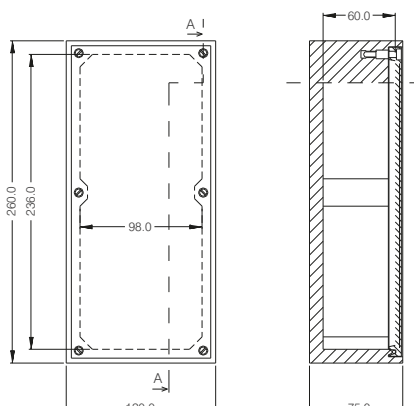


**Technical data**

Width x height x depth 120 x 260 x 75 mm  
 Type of protection IP65  
 Material Cover: polycarbonate  
 Cabinet: solid rubber halogen-free  
 Gasket seal Foamed polyurethane gasket seal  
 Cover fixing Stainless steel cross-head slotted screw

EDP No.	Product ID No.	Color
32153	2612.L	black

All parts, including those provided by you, can be installed during the manufacturing process in the box of your choice.



## Series 3800, 3900



### Technical data

Width x height x depth	Series 3800: 250 x 360 x 133 mm Series 3900: 250 x 360 x 173 mm Other depths on request.
Type of protection	IP65
Material	Cover: solid rubber halogen-free Cabinet: solid rubber halogen-free
Gasket seal	Foamed polyurethane gasket seal
Cover fixing	Stainless steel cross-head slotted screw

EDP No.	Product ID No.	Color
42270	3800.GLATT.L.M	black
42271	3900.GLATT.L.M	black

All parts, including those provided by you, can be installed during the manufacturing process in the box of your choice.

## Series 3800, 3900 with door

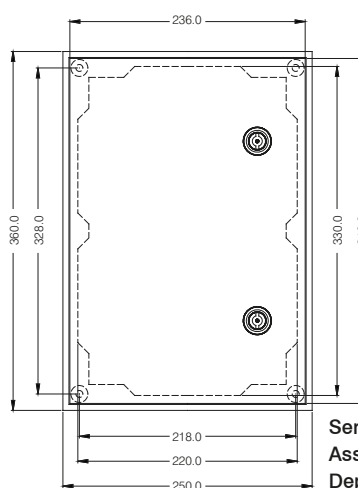
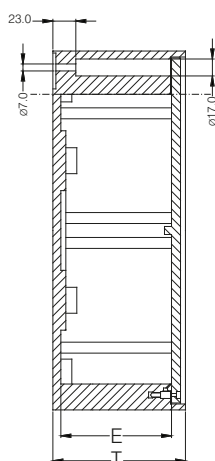
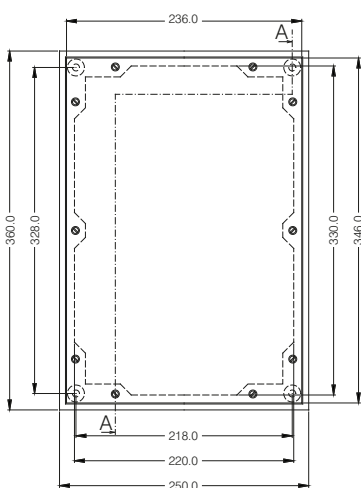


### Technical data

Width x height x depth	Series 3800: 250 x 360 x 133 mm Series 3900: 250 x 360 x 173 mm Other depths on request.
Type of protection	IP54
Material	Door: gifadur (black) Cabinet: solid rubber halogen-free
Gasket seal	Foamed polyurethane gasket seal
Cover fixing	Hinge / rotating lock

EDP No.	Product ID No.	Color
83162	3800T.2DREHR.L.M	black
83161	3900T.2DREHR.L.M	black

All parts, including those provided by you, can be installed during the manufacturing process in the box of your choice.



<b>Series</b>	<b>3800</b>	<b>3900</b>
<b>Assembly dimension (E)</b>	110	150
<b>Depth (T)</b>	133	173

**Series 7800, 7900**

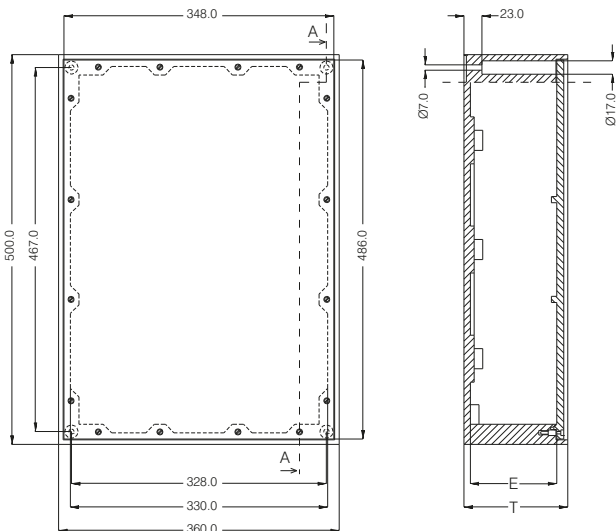


**Technical data**

Width x height x depth	Series 7800: 360 x 500 x 133 mm Series 7900: 360 x 500 x 173 mm Other depths on request.
Type of protection	IP65
Material	Cover: solid rubber halogen-free Cabinet: solid rubber halogen-free
Gasket seal	Foamed polyurethane gasket seal
Cover fixing	Stainless steel cross-head slotted screw

EDP No.	Product ID No.	Color
39112	7800.GLATT.L.M	black
39115	7900.GLATT.L.M	black

All parts, including those provided by you, can be installed during the manufacturing process in the box of your choice.



**Series 7800, 7900 with door**

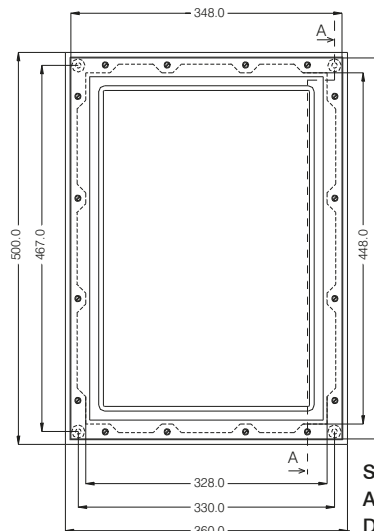


**Technical data**

Width x height x depth	Series 7800: 360 x 500 x 133 mm Series 7900: 360 x 500 x 173 mm Other depths on request.
Type of protection	IP54
Material	Door: polycarbonate (black, transparent) Cabinet: solid rubber halogen-free
Gasket seal	Foamed polyurethane gasket seal
Cover fixing	Hinge / rotating lock

EDP No.	Product ID No.	Color
83159	7800.TÜRE.SCHWARZ.2DREHR.L.M	box black door black
83160	7800.TÜRE.TRANSPARENT.2DREHR.L.M	box black door transp.
83157	7900.TÜRE.SCHWARZ.2DREHR.L.M	box black door black
83158	7900.TÜRE.TRANSPARENT.2DREHR.L.M	box black door transp.

All parts, including those provided by you, can be installed during the manufacturing process in the box of your choice.



<b>Series</b>	<b>7800</b>	<b>7900</b>
<b>Assembly dimension (E)</b>	110	150
<b>Depth (T)</b>	133	173

## Design options

Series 3800/3900 and 7800/7900 with door



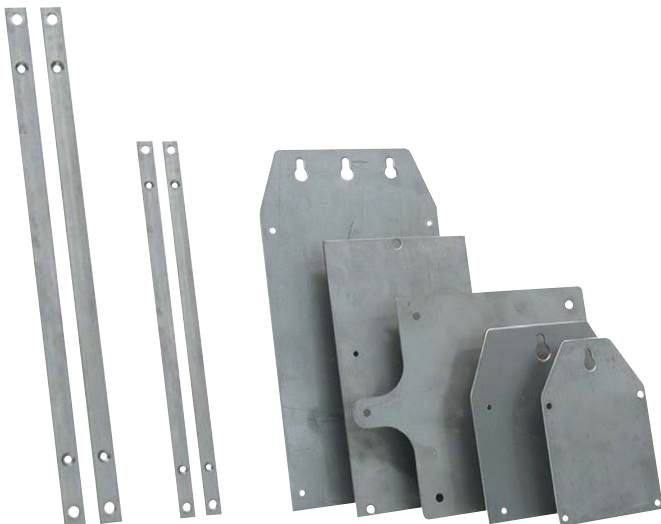
### Design options:

- Doors with left or right hinges
- 1-/3-part contact protection
- Different locking systems: Plastic bolt lock, half cylinder, H 36000 Rotary cabinet bolt (also lockable)
- Mounting plates
- Standard bars and binders
- Different cable glands
- Mounting frame



Please get in touch with us.

Our engineers would be pleased to help you to assemble the box of your choice.



**Accessories**

**Water-tight cable glands IP68**

EDP No.	Description / Product ID No. (grey/black clamping area)	Color	Drilling diameter for counter nut mounting	Core drilling diameter for direct screwing
63726	KV.M12.METRISCH.2,5-6,5.MM.GRAU	grey	13 - 14 mm	11 mm
63611	KV.M12.METRISCH.2,5-6,5.MM.SCHWARZ	black		
63727	KV.M16.METRISCH.3,5-10.MM.GRAU	grey	17 - 18 mm	15 mm
63610	KV.M16.METRISCH.3,5-10.MM.SCHWARZ	black		
63728	KV.M20.METRISCH.7-14.MM.GRAU	grey	21 - 22 mm	19 mm
63607	KV.M20.METRISCH.7-14.MM.SCHWARZ	black		
63730	KV.M25.METRISCH.9-18.MM.GRAU	grey	26 - 27 mm	24 mm
63557	KV.M25.METRISCH.9-18.MM.SCHWARZ	black		
63731	KV.M32.METRISCH.14-25.MM.GRAU	grey	33 - 34 mm	31 mm
63609	KV.M32.METRISCH.14-25.MM.SCHWARZ	black		
63733	KV.M40.METRISCH.18-32.MM.GRAU	grey	41 - 42 mm	39 mm
63568	KV.M40.METRISCH.18-32.MM.SCHWARZ	black		
63734	KV.M50.METRISCH.24-38,5.MM.GRAU	grey	51 - 52 mm	49 mm
63569	KV.M50.METRISCH.24-38,5.MM.SCHWARZ	black		
63735	KV.M63.METRISCH.35-48.MM.GRAU	grey	64 - 65 mm	62 mm
63570	KV.M63.METRISCH.35-48.MM.SCHWARZ	black		

**Dummy plugs**

Made of fibre-glass reinforced polyamide PA 6 GF 30 for cable glands M12-M32 (only in bright grey RAL 7035).

EDP No.	Product ID No.
68175	BLINDSTOPFEN.M12.GRAU
68176	BLINDSTOPFEN.M16.GRAU
68025	BLINDSTOPFEN.M20.GRAU
68177	BLINDSTOPFEN.M25.GRAU
68178	BLINDSTOPFEN.M32.GRAU
68179	BLINDSTOPFEN.M40.GRAU
68180	BLINDSTOPFEN.M50.GRAU
68181	BLINDSTOPFEN.M63.GRAU

**Dummy disks**

Made of polyethylene (PE-LD) for cable glands with metric thread.

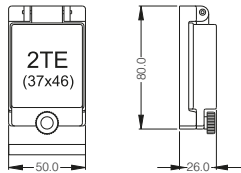
EDP No.	Product ID No.	outer diameter in mm	thickness in mm
63986	KV.BLINDSCHEIBE.M12	9.5	0.5
63982	KV.BLINDSCHEIBE.M16	15.5	0.5
63987	KV.BLINDSCHEIBE.M20	18.6	0.5
13964	KV.BLINDSCHEIBE.M25	23.0	0.5
63983	KV.BLINDSCHEIBE.M32	28.5	0.5

**Supporting rail, bar**

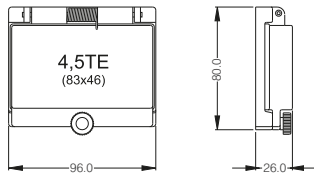
Cut to length, drilled and mounted.  
 TS35 for Series 1010, 1212, 1616, 1812, 2516, 3020



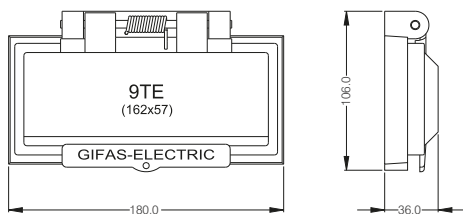
## Makrolon covers



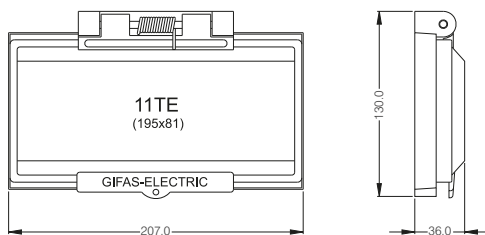
EDP No.	Product ID No.
10227	KLADECK.2.SW



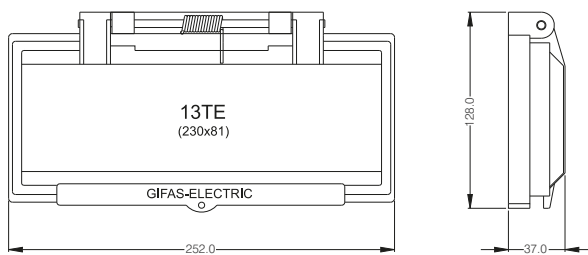
EDP No.	Product ID No.
41291	KLADECK.4,5.+DICHTUNG



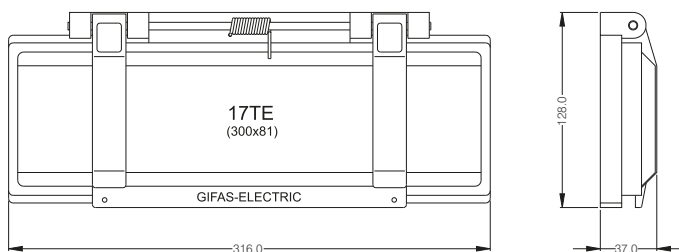
EDP No.	Product ID No.
12137	80.94.01.K
25544	RÄNDELSCHRAUBE.KU.KOPF



EDP No.	Product ID No.
12003	70.94.01.K
25544	RÄNDELSCHRAUBE.KU.KOPF



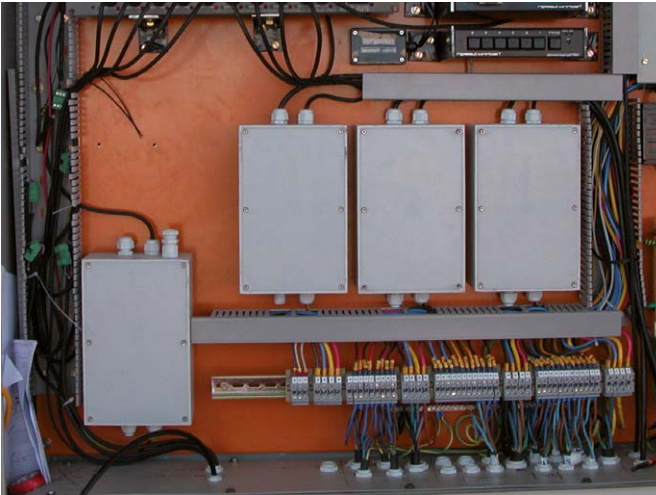
EDP No.	Product ID No.
50609	74.94.01.K
25544	RÄNDELSCHRAUBE.KU.KOPF



EDP No.	Product ID No.
36055	75.94.02.K
+ 2 pieces:	
25544	RÄNDELSCHRAUBE.KU.KOPF



Application examples / customer solutions







# CONTACT US



**GIFAS**  
ELECTRIC

GIFAS ELECTRIC  
Gesellschaft m.b.H  
Strass 2  
5301 Eugendorf  
AUSTRIA

🌐 [www.gifas.at](http://www.gifas.at)  
✉ [verkauf@gifas.at](mailto:verkauf@gifas.at)  
☎ +43 6225/7191-0  
📠 +43 6225/7191-561  
☎ +49 8654/404-2000