

SYSTEMATIC QUALITY



Cable reels
Spring-operated cable reels
Hose rewinders



Standard Solid rubber cable reels

Pages 4 - 11

Series 501



Page 4

Series 501 Equipotential bonding



Page 5

Series 502



Page 6

Series 502 personal protection



Page 7

Series 502 with LED spotlights



Page 8

Series 502 low voltage



Page 9

Standard cable reels plastic and sheet steel

Pages 12 - 19

Series 512K



Page 12

Series 512K with and without RCD



Page 13

Series 512K with special equipment



Page 14

Series 512K with halogen spotlight type 969



Page 15

Illuminant and accessories



Page 16

Series 504



Page 18

Spring-operated cable reels

Pages 20 - 25

Series 520



Page 20

Series 523



Page 21

Series 524



Page 22

Series 525



Page 23

Series 525 accessories



Page 24 - 25

Hose Reels air and water

Pages 26 - 30

Series 580



Page 26

Series 584



Page 27

Series 587



Page 28

Series 588



Page 29

Series 589



Page 30

Application examples

Page 31

Application examples



Page 31

Series 503



Page 10

Series 518



Page 11

Series 505



Page 19

GIFAS-Cable reels

GIFAS cable reels are manufactured using solid rubber material / sheet steel / plastic. The perfect construction and excellent technique of these cable reels are responsible for their reliability and long lifetime. The robust model makes them particularly well-suited for use in industry and trade.

They are manufactured in accordance with following regulations:

- for household plugs:
in accordance with ÖVE/ÖNORM EN 61242
DIN EN 61242
- for industry plugs:
in accordance with ÖVE/ÖNORM EN 61316
DIN EN 61316

Series 501



Technical specifications

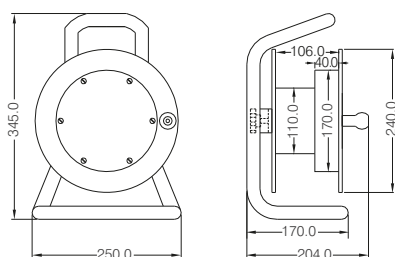
- Robust, halogen-free reel body made of vulcanized butyl rubber, fully insulated
- Solid tubular steel frame, powder-coated
- High mechanical strength, UV- and weather-resistant
- Resistant to oils, acids and alkalis
- Maintenance-free, impact-resistant, resistant to ageing
- Integrated brake, which acts directly on the roller-bearing axle, but does not rub against the roller itself
- All sockets can be replaced individually
- With overheating protection as standard
- Weight without cable approx. 3.7 kg

Series 501, 230V with overheating protection

EDP No.	EDP No. F&B	Product ID No.	Solid rubber plug	Cable length	Dimension / cable Type	Equipment	
55281	83691	501120315.GG.Ü	Schuko plug 16A 230V	20 m	3x1.5 mm ² Proflexx	3/Schuko sockets 16A 230V	
60103	82735	501125315.GG.Ü	Schuko plug 16A 230V	25 m	3x1.5 mm ² Proflexx	3/Schuko sockets 16A 230V	

Design the optimum solution for your requirements with our engineers.

Free engraving on the roller flange and free printing of the cable with your company name for orders over 100 m per dimension.



Series 501 Auxiliary potential-equalizing cable reel



Technical specifications

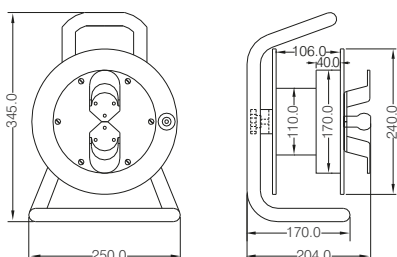
- Robust, halogen-free reel body made of vulcanized butyl rubber, fully insulated
- Solid tubular steel frame, powder-coated
- High mechanical strength, UV- and weather-resistant
- Resistant to oils, acids and alkalis
- Maintenance-free, impact-resistant, resistant to ageing
- Integrated brake, which acts directly on the roller-bearing axle, but does not rub against the roller itself
- Weight without cable approx. 3.7 kg

Series 501, Auxiliary equipotential bonding cable reel

EDP No.	Product ID No.	Series
52393	501.33YF16GG.608.HASPEL.ERDUNG	with 30 m YF-cord fine stranded wire (yellow-green) 16.0 mm ² , with earthing tongs on reel and 3 m YF-cord fine stranded wire (yellow-green) 16.0 mm ² with hook cable lug on hasp
52394	501.48YF16GG.608.HASPEL.ERDUNG	with 45 m YF-cord fine stranded wire (yellow-green) 16.0 mm ² , with earthing tongs on reel and 3 m YF-cord fine stranded wire (yellow-green) 16.0 mm ² with hook cable lug on hasp

Design the optimum solution for your requirements with our engineers.

Free engraving on roller flange.



Series 502



Technical specifications

- Robust, halogen-free reel body made of vulcanized butyl rubber, fully insulated
- Solid tubular steel frame, powder-coated
- High mechanical strength, UV- and weather-resistant
- Resistant to oils, acids and alkalis
- Maintenance-free, impact-resistant, resistant to ageing
- Integrated brake, which acts directly on the roller-bearing axle, but does not rub against the roller itself
- All sockets can be replaced individually
- With overheating protection as standard
- Weight without cable approx. 4.3 kg

Series 502, 230V with overheating protection

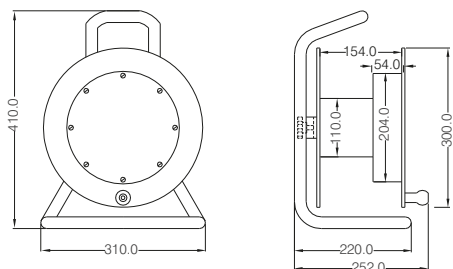
EDP No.	EDP No. F&B	Product ID No.	Solid rubber plug	Cable length	Dimension / cabel	Equipment	
54073	85198	502140315.GG.Ü	Schuko plug 16A 230V	40 m	3x1.5 mm ² Proflexx	3/Schuko sockets 16A 230V	
83736	107881	502140315.GG.WD. IP68.Ü	Schuko plug 16A 230V tight against water pressure	40 m	3x1.5 mm ² Proflexx	3/Schuko sockets 16A 230V tight against water pressure	
72489		502340325.GG.Ü	CEE-plug 3x16A 230V	40 m	3x2.5 mm ² Proflexx	2/CEE-sockets 3x16A 230V	

Series 502, 230/400V with overheating protection

EDP No.	EDP No. F&B	Product ID No.	Solid rubber plug	Cable length	Dimension / cabel	Equipment	
72481	85202	502835525.GG.Ü	CEE-plug 5x16A 400V	35 m	5x2.5 mm ² Proflexx	1/CEE-socket 5x16A 400V 1/Schuko socket 16A 230V	
61410	85205	502935525.GG.Ü	CEE-plug 5x16A 400V	35 m	5x2.5 mm ² Proflexx	1/CEE-socket 5x16A 400V 2/Schuko sockets 16A 230V	
72482	85209	5021035525.GG.Ü	CEE-plug 5x16A 400V	35 m	5x2.5 mm ² Proflexx	1/CEE-socket 5x16A 400V 3/Schuko sockets 16A 230V	
72484		502635525.GG.Ü	CEE-plug 5x16A 400V	35 m	5x2.5 mm ² Proflexx	2/CEE-sockets 5x16A 400V	

Design the optimum solution for your requirements with our engineers.

Free engraving on roller flange and free printing of the cable with your company name for orders over than 100 m per dimension.



Series 502 with and without RCD



Technical specifications

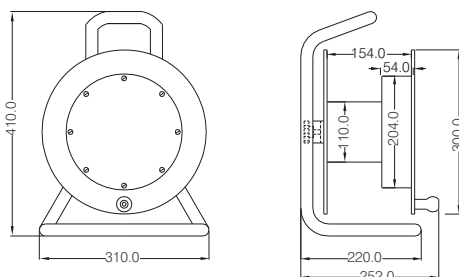
- Robust, halogen-free reel body made of vulcanized butyl rubber, fully insulated
- Solid tubular steel frame, powder-coated
- High mechanical strength, UV- and weather-resistant
- Resistant to oils, acids and alkalis
- Maintenance-free, impact-resistant, resistant to ageing
- Integrated brake, which acts directly on the roller-bearing axle, but does not rub against the roller itself
- All sockets can be replaced individually
- Cable reel for coiling up the 2-metre long connection cable
- With overheating protection as standard
- Weight without cable approx. 4.3 kg

Series 502, with RCD 30 mA							
EDP No.	EDP No. F&B	Product ID No.	Plug / coupling	Cable length	Dimension / cabel	Equipment	
63551	85216	502.24.30315. GG.HASPEL.Ü	Schuko plug 16A 230V Solid rubber triple coupling 16A 230V	30 m	3x1.5 mm ² Proflexx	1/Schuko plug 16A 230V 1/RCD 25/0.03/2P	

Series 502, without RCD							
EDP No.	EDP No. F&B	Product ID No.	Plug / coupling	Cable length	Dimension / cabel	Equipment	
83750	85213	5023130315. GG.HASPEL.Ü	Schuko plug 16A 230V Solid rubber triple coupling 16A 230V	30 m	3x1.5 mm ² Proflexx	1/Schuko plug 16A 230V	

Design the optimum solution for your requirements with our engineers.

Free engraving on roller flange and free printing of the cable with your company name for orders over 100 m per dimension.



Series 502 with LED flood light



Technical specifications

- Robust, halogen-free reel body made of vulcanized butyl rubber, fully insulated
- Solid tubular steel frame, powder-coated
- High mechanical strength, UV- and weather-resistant
- Resistant to oils, acids and alkalis
- Maintenance-free, impact-resistant, resistant to ageing
- Integrated brake, which acts directly on the roller-bearing axle, but does not rub against the roller itself
- All sockets can be replaced individually
- With overheating protection as standard
- Weight without cable approx. 4.3 kg
- Small LED flood light 5x3W, 900lm coolwhite
- Flood light swiveling, switchable

Series 502, 230V with overheating protection

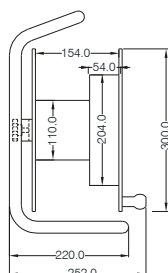
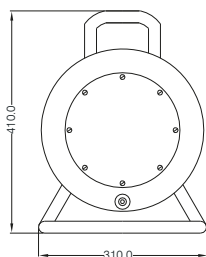
EDP No.	EDP No. F&B	Product ID No.	Solid rubber plug	Cable length	Dimension / cabel	Equipment	
110593	117010	5024740315.ILED.GG.Ü	Schuko plug 16A 230V	40m	3x1.5 mm ² Proflexx	3/Schuko sockets 16A 230V ILED5.15.FLOOD	
110732	117012	5024750315.ILED.GG.Ü	Schuko plug 16A 230V	50m	3x1.5 mm ² Proflexx	3/Schuko sockets 16A 230V ILED5.15.FLOOD	

Series 502, 400V/ 230V with overheating protection

EDP No.	EDP No. F&B	Product ID No.	Solid rubber plug	Cable length	Dimension / cabel	Equipment	
110737	117015	5024835525.ILED.GG.Ü	CEE-plug 16A 400V	35m	5x2.5 mm ² Proflexx	1/Schuko socket 16A 230V 1/CEE 5x16A 400V ILED5.15.FLOOD	

Design the optimum solution for your requirements with our engineers.

Free engraving on roller flange and free printing of the cable with your company name for orders over than 100 m per dimension.



Series 502 - low voltage



Technical specifications

- Robust, halogen-free reel body made of vulcanized butyl rubber, fully insulated
- Solid tubular steel frame, powder-coated
- High mechanical strength, UV- and weather-resistant
- Resistant to oils, acids and alkalis
- Maintenance-free, impact-resistant, resistant to ageing
- Integrated brake, which acts directly on the roller-bearing axle, but does not rub against the roller itself
- All sockets can be replaced individually
- With overheating protection as standard
- Weight without cable approx. 4.3 kg

Series 502, 24V with overheating protection

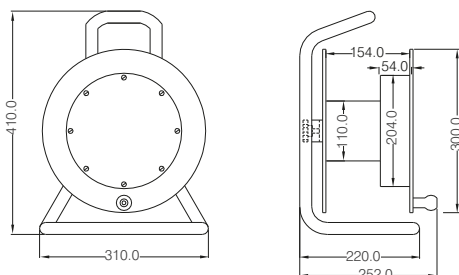
EDP No.	Product ID No.	Solid rubber plug	Cable length	Dimension / cabel	Equipment	
52397	50222230225.Ü	CEE-plug 2x16A 24V	30 m	2x2.5 mm ² Proflexx	3/CEE-sockets 2x16A 24V	
52398	50222240225.Ü	CEE-plug 2x16A 24V	40 m	2x2.5 mm ² Proflexx		
52399	50222240240.Ü	CEE-plug 2x16A 24V	40 m	2x4.0 mm ² H07RN-F		

Series 502, 42V with overheating protection

EDP No.	Product ID No.	Solid rubber plug	Cable length	Dimension / cabel	Equipment	
52402	50244430225.Ü	CEE-plug 2x16A 42V	30 m	2x2.5 mm ² Proflexx	3/CEE-sockets 2x16A 42V	
52403	50244440225.Ü	CEE-plug 2x16A 42V	40 m	2x2.5 mm ² Proflexx		
52404	50244440240.Ü	CEE-plug 2x16A 42V	40 m	2x4.0 mm ² H07RN-F		

Design the optimum solution for your requirements with our engineers

Free engraving on roller flange and free printing of the cable with your company name for orders over 100 m per dimension.



Series 503



Technical specifications

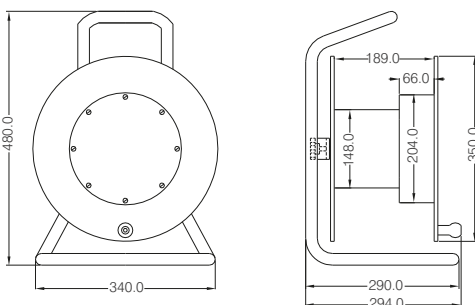
- Robust, halogen-free reel body made of vulcanized butyl rubber, fully insulated
- Solid tubular steel frame, powder-coated
- High mechanical strength, UV- and weather-resistant
- Resistant to oils, acids and alkalis
- Maintenance-free, impact-resistant, resistant to ageing
- Integrated brake, which acts directly on the roller-bearing axle, but does not rub against the roller itself
- All sockets can be replaced individually
- With overheating protection as standard
- Weight without cable approx. 6.15 kg

Series 503, 230/400V with overheating protection

EDP No.	EDP No. F&B	Product ID No.	Solid rubber plug	Cable length	Dimension / cabel	Equipment	
72492	85219	503160325.GG.Ü	Schuko plug 16A 230V	60 m	3x2.5 mm ² Proflexx	3/Schuko sockets 16A 230V	
72493	85222	503860525.GG.Ü	CEE-plug 5x16A 400V	60 m	5x2.5 mm ² Proflexx	1/CEE-socket 5x16A 400V 1/Schuko socket 16A 230V	
72495	85226	503960525.GG.Ü	CEE-plug 5x16A 400V	60 m	5x2.5 mm ² Proflexx	1/CEE-socket 5x16A 400V 2/Schuko sockets 16A 230V	
72497	85229	5031060525.GG.Ü	CEE-plug 5x16A 400V	60 m	5x2.5 mm ² Proflexx	1/CEE-socket 5x16A 400V 3/Schuko sockets 16A 230V	
72499		503660525.GG.Ü	CEE-plug 5x16A 400V	60 m	5x2.5 mm ² Proflexx	2/CEE-sockets 5x16A 400V	
72501	85233	5031330560.GG.Ü	CEE-plug 5x32A 400V	30 m	5x6.0 mm ² Proflexx	1/CEE-socket 5x32A 400V 1/Schuko sockets 16A 230V 1/MCB 1pol. 16A	
72502		503730560.GG.Ü	CEE-plug 5x32A 400V	30 m	5x6.0 mm ² Proflexx	2/CEE-sockets 5x32A 400V	

Design the optimum solution for your requirements with our engineers

Free engraving on roller flange and free printing of the cable with your company name for orders over 100 m per dimension.



Series 518 with rotating auxiliary reel



Technical specifications

- Standard built-in overheating protector
- Strong metal pedestal
- Tensile relief fixed and integrated in the reel body
- Hinged crank handle which can be used as uncoiling stop
- Handle covered with insulating material
- Earthing connection double protected
- Dimensions according to DIN 14680 - fitting to all holding devices
- Body reel and auxiliary reel: each made in one piece
- Weight without cable reel approx. 11 kg

Excellent for:

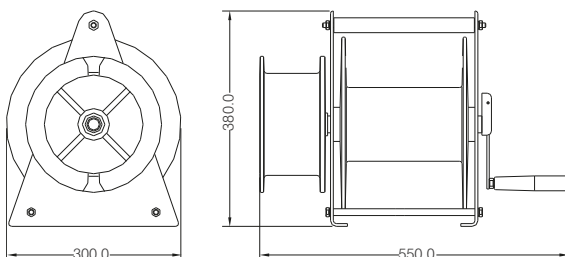
Disaster auxiliary services, Fire rescue forces (EX- model, TÜV- and ATEX-tested see chapter on EX Product range), Army, Rescue services, Construction enterprises, Industry, etc.

Series 518, 230/400V with overheating protection

EDP No.	EDP No. F&B	Product ID No.	Solid rubber plug or coupling	Cable length main reel	Cable length auxiliary reel	Dimension / cabel	
72879	85236	51850315.GG.Ü	Schuko 16A 230V	45 m	5 m	3x1.5 mm ² Proflexx	
72880	85238	51850325.GG.Ü	Schuko 16A 230V	45 m	5 m	3x2.5 mm ² Proflexx	
72881		51850525.GG.Ü	CEE 5x16A 400V	45 m	5 m	5x2.5 mm ² Proflexx	

Design the optimum solution for your requirements with our engineers.

Free engraving on roller flange and free printing of the cable with your company name for orders over 100 m per dimension.



Series 512K



Technical specifications

- Robust polycarbonate reel body, black, fully insulated
- Frame: black polycarbonate
- High mechanical strength, UV- and weather-resistant
- Maintenance-free, impact-resistant, resistant to ageing
- All sockets can be replaced individually
- With overheating protection as standard
- Weight without cable reel approx. 1.7 kg

Series 512K, 230V with overheating protection

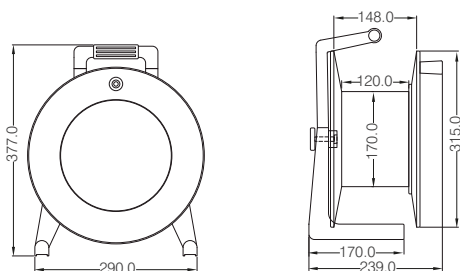
EDP No.	EDP No. F&B	Product ID No.	Solid rubber plug	Cable length	Dimension / cabel	Equipment	
108263	133017	512K225315.GG.Ü	Schuko plug 16A 230V	25 m	3x1,5 mm ² Proflexx	4/Schuko sockets 16A 230V	
106181	107869	512K240315.GG.Ü	Schuko plug 16A 230V	40 m	3x1.5 mm ² Proflexx	4/Schuko sockets 16A 230V	
106184	107870	512K250315.GG.Ü	Schuko plug 16A 230V	50 m	3x1.5 mm ² Proflexx	4/Schuko sockets 16A 230V	

Series 512K, 230V/400V with overheating protection

EDP No.	EDP No. F&B	Product ID No.	CEE-plug	Cable length	Dimension / cabel	Equipment	
106189	107871	512K1025525.GG.Ü	CEE-plug 5x16A 400V	25 m	5x2.5 mm ² Proflexx	3/Schuko sockets 16A 230V 1/CEE-socket 5x16A 400V	

Design the optimum solution for your requirements with our engineers.

Free engraving on roller flange and free printing of the cable with your company name for orders over 100 m per dimension.



Series 512K
with and without RCD



Technical specifications

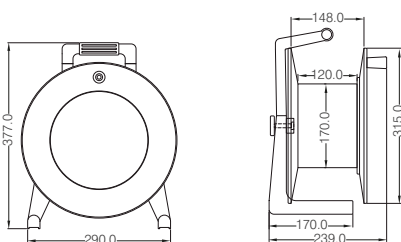
- Rugged polycarbonate reel body, black, fully insulated
- Frame: black, polycarbonate
- High mechanical strength, UV- and weather-resistant
- Maintenance-free, impact-resistant, resistant to ageing
- All sockets can be replaced individually
- Cable reel for coiling up the 2-metre long connection cable
- With overheating protection as standard
- Weight without cable reel approx. 1.7 kg

Series 512K, with RCD 30 mA						
EDP No.	EDP No. F&B	Product ID No.	Plug / coupling	Cable length	Dimension / cabel	Equipment
110571	117017	512K2430315.GG.Ü	Schuko plug 16A 230V Solid rubber triple coupling 16A 230V	30 m	3x1.5 mm ² Proflexx	1//Schuko sockets 16A 230V 1/RCD 25/0.03/2P

Series 512K, without RCD						
EDP No.	EDP No. F&B	Product ID No.	Plug / coupling	Cable length	Dimension / cabel	Equipment
110572	117019	512K3130315.GG.Ü	Schuko plug 16A 230V Solid rubber triple coupling 16A 230V	30 m	3x1.5 mm ² Proflexx	1//Schuko sockets 16A 230V

Design the optimum solution for your requirements with our engineers.

Free engraving on roller flange and free printing of the cable with your company name for orders over 100 m per dimension.



Series 512K with special equipment



Technical specifications

- Rugged polycarbonate reel body, black, fully insulated
- Frame: black, polycarbonate
- High mechanical strength, UV- and weather-resistant
- Maintenance-free, impact-resistant, resistant to ageing
- All sockets can be replaced individually
- Cable reel for coiling up the 2-metre long connection cable
- With overheating protection as standard
- Weight without cable reel approx. 1.7 kg

Series 512K, 230V with overheating protection

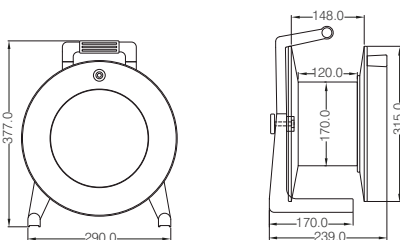
EDP No.	EDP No. F&B	Product ID No.	Solid rubber plug	Cable length	Dimension / cabel	Equipment	
110566	117021	512K1440315.GG.Ü	Schuko plug 16A 230V tight against water pressure	40 m	3x1.5 mm ² Proflexx	2/Schuko sockets 16A 230V tight against water pressure	
110567	117022	512K1450315.GG.Ü	Schuko plug 16A 230V tight against water pressure	50 m	3x1.5 mm ² Proflexx		
110568		512K430325.GG.Ü	CEE-plug 3x16A 230V	30 m	3x2.5 mm ² Proflexx	3/CEE-Schuko sockets 3x16A 230V	

Series 512K, 230/400V with overheating protection

EDP No.	EDP No. F&B	Product ID No.	Solid rubber plug	Cable length	Dimension / cabel	Equipment	
110569	117025	512K1925525.GG.Ü	CEE-plug 5x16A 400V	25 m	5x2.5 mm ² Proflexx	2/CEE-Schuko sockets 5x16A 400V 1/ Schuko sockets 16A 230V	
110570		512K625525.GG.Ü	CEE-plug 5x16A 400V	25 m	5x2.5 mm ² Proflexx	2/CEE-Schuko sockets 5x16A 400V	

Design the optimum solution for your requirements with our engineers.

Free engraving on roller flange and free printing of the cable with your company name for orders over 100 m per dimension.



Series 512K with halogen spotlight type 969



Product features

GIFAS plastic cable reel with halogen spotlight type 969 and built-in transformer 120 VA 230V/24V

- Type of protection light: IP65
- Type of protection plug: IP44
- Protection class: II

Technical specifications

- Rugged polycarbonate reel body, black, fully insulated
- Frame: black, polycarbonate
- High mechanical strength, UV- and weather-resistant
- Maintenance-free, impact-resistant, resistant to ageing
- All sockets can be replaced individually
- With overheating protection as standard
- Weight without cable reel approx. 1.7 kg

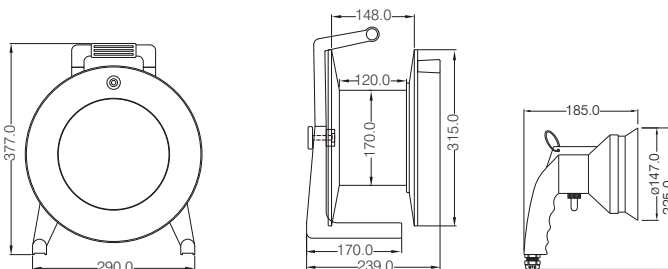
GIFAS plastic cable reel with halogen spotlight type 969 and built-in transformer 120 VA 230V/24V

EDP-No.	Product-ID-No.	Feeding lines	Watt	Volt
109559	512K.9692420.GG	Entry: 3 m connection cable 2x1.0 mm ² with contour plug 16A 230V Outlet: 20 m wires Proflex 2x1.5 mm ² with Halogen floodlight	100W	24V

MasterLED version on request !

Design the optimum solution for your requirements with our engineers.

Free engraving on roller flange and free printing of the cable with your company name for orders over 100 m per dimension.



Illuminant and accessories for halogen portable spotlight type 969



Illuminant and accessories for halogen portable spotlight type 969		
EDP No.	Product ID No.	Description
12036	7024.100	Compact Halogen light spotlight narrow beam 24V/100W
12041	7024.50.GY6,35	Halogen bulb 24V/50W for reflector 0816SL/0814SL
10594	0814SL	Reflector for narrow spread incl. light holder and spare glass
10595	0816SL	Reflector for wide beaming incl. light holder and spare glass
47248	994.DICHTUNG	Gasket for front glass
12427	969.GL	Spare glass
73872	969.UMMITEIL. 1M16.M	Solid rubber Casing
10613	969.SCHALTER.ON/OFF/TASTER. 250VAC.15A	Two function switch with protection cap
12428	969.SG	Protective grid

Series 504



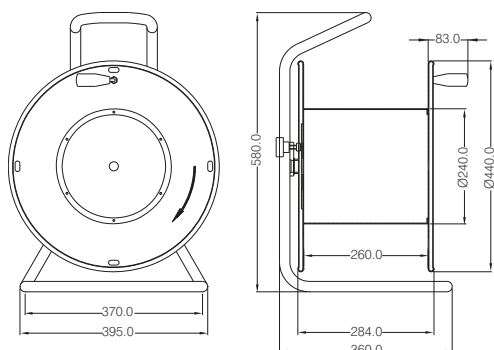
Technical specifications

- Bearer frame and roller, made of powder-coated steel tubing
- Shaft and internal pipe made of steel
- Comfortable to wear
- Equipped with overheating protection
- Standard color RAL 3020 (traffic red)
- Weight without cable reel approx. 11 kg

Series 504, with overheating protection							
EDP No.	EDP No. F&B	Product ID No.	Solid rubber plug	Cable length	Dimension / cabel	Equipment	
72814	85245	504.1.2.80525.GG.Ü	CEE-plug 5x16A 400V	80 m	5x2.5 mm ² Proflexx	1/CEE-socket 5x16A 400V	
72815	85247	504.1.2.80540.GG.Ü	CEE-plug 5x16A 400V	80 m	5x4.0 mm ² Proflexx	2/Schuko sockets 16A 230V	
72816		504.11.80525.GG.Ü	CEE-plug 5x16A 400V	80 m	5x2.5 mm ² Proflexx	2/CEE-sockets 5x16A 400V	
72817		504.11.80540.GG.Ü	CEE-plug 5x16A 400V	80 m	5x4.0 mm ² Proflexx		
72818		504.33.50560.GG.Ü	CEE-plug 5x32A 400V	50 m	5x6.0 mm ² Proflexx	2/CEE-sockets 5x32A 400V	
72819	85250	504.3.92.50560.GG.Ü	CEE-plug 5x32A 400V	50 m	5x6.0 mm ² Proflexx	1/CEE-socket 5x32A 400V 2/Schuko sockets 16A 230V 2/MCB 1pol. 16A	
72821		504.6.25516.GG.Ü	CEE-plug 5x63A 400V	25 m	5x16.0 mm ² Proflexx	1/CEE-socket 5x63A 400V	

Design the optimum solution for your requirements with our engineers.

Free engraving on roller flange and free printing of the cable with your company name for orders over 100 m per dimension.



Series 505



Technical specifications

- Stand: stable steel tube rack, powder-coated red coating RAL 3020, equipped with 2 solid rubber wheels of 200mm diameter
- Reel body: sheet steel with integrated ball-bearing shaft and two handles to carry the reel; one handle can be used as crank
- Thoroughly sturdy shaft
- Easily transported by tipping
- Can be combined with socket distributors which have been tailored to the operating requirements at any time.
- Weight without cable reel approx. 30 kg

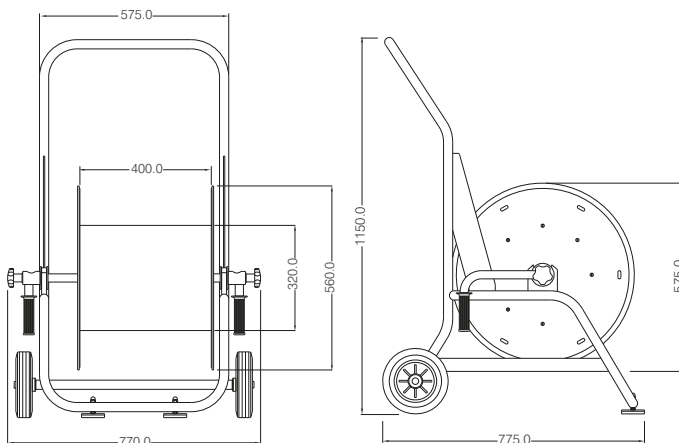
Max. cable length according to standard and capacity:

Cable cross-section	cable diameter	capacity
5x4.0 mm ²	17.0 mm	100 m
5x6.0 mm ²	19.6 mm	100 m
5x10.0 mm ²	24.7 mm	70 m
5x16.0 mm ²	29.0 mm	50 m

Series 505					
EDP No.	Product ID No.		Solid rubber plug / coupling	Cable length	Dimension / cabel
42302	505.KABELROLLE.O.GESTELL.CH	Reel body loose	-	-	-
40348	505.LEITUNGSROLLER.KURBEL.CH	Reel without cable	-	-	-
68202	505.306356.505160.GG.57	Reel with cable, plug and coupling	1/CEE-plug 5x63A 400V 1/CEE-coupling 5x63A 400V	50 m	5x16.0 mm ² Proflexx

Design the optimum solution for your requirements with our engineers.

Free engraving on roller flange and free printing of the cable with your company name for orders over 100 m per dimension.



Series 520



Technical specifications

- Pre-assembled spring-operated cable reel with pivotable wall bracket
- Cabinet made of shock-resistant plastic material black/yellow
- Maximum operating voltage 230V
- Type of protection: IP42
- Weight: approx. 3.0 kg

Series 520 Earth cable reel

EDP No.	EDP No. F&B	Product ID No.	Dimension / cable	Cable length
106020		520.9006.P	1x6 mm ² - H05V-F	6 m + 1 m free

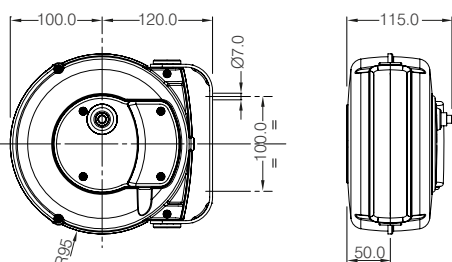
Series 520 incl. overheating protection without coupling

EDP No.	EDP No. F&B	Product ID No.	Solid rubber coupling	Dimension / cable	Cable length	Coiled version	Uncoiled version
48720		520.9004.Ü.P	-	3x1.5 mm ² - H05VV-F	5 m + 1 m free	1,400W	1,900W

Series 520 incl. overheating protection with coupling

EDP No.	EDP No. F&B	Product ID No.	Solid rubber coupling	Dimension / cable	Cable length	Coiled version	Uncoiled version
106022	117030	520.9004.211.Ü	Schuko-coupling 16A 230V	3x1.5 mm ² - H05VV-F	5 m + 1 m free	1,400W	1,900W

Design the optimum solution for your requirements with our engineers.



Series 523



Technical specifications

- Pre-assembled spring-operated cable reel with pivotable mounting bracket
- Closed cabinet made of shock-resistant plastic material
- Return stop with toothed locking device every 50 cm, easy to disable
- Maximum operating voltage 750V
- Type of protection: IP42
- Weight: approx. 5.0 kg

Series 523 Earth cable reel

EDP No.	EDP No. F&B	Product ID No.	Dimension / cable	Cable length	
106024		523.4106.P	1x6 mm ² - H05V-F	15 m + 1 m free	
91714		523.4116.P	1x16 mm ² - H05V-F	10 m + 1 m free	

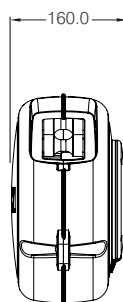
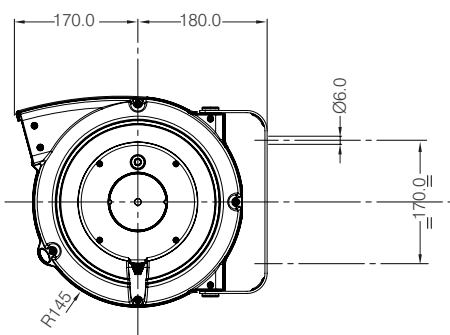
Series 523 incl. overheating protection without coupling

EDP No.	EDP No. F&B	Product ID No.	Solid rubber coupling	Dimension / cable	Cable length	Coiled version	Uncoiled version
103795		523.4315RNF.Ü.P	-	3x1.5 mm ² - H07RN-F	9 m + 1 m free	1,200W	1,800W
106026		523.4325RNF.Ü.P	-	3x2.5 mm ² - H07RN-F	7 m + 1 m free	1,900W	2,500W
106028		523.4515RNF.P	-	5x1.5 mm ² - H07RN-F	7 m + 1 m free	1,400W	1,900W

Series 523 incl. overheating protection with coupling

EDP No.	EDP No. F&B	Product ID No.	Solid rubber coupling	Dimension / cable	Cable length	Coiled version	Uncoiled version
106030	107883	523.4315RNF.211.Ü	Schuko-coupling 16A 230V	3x1.5 mm ² - H07RN-F	9 m + 1 m free	1,200W	1,800W
106031	107884	523.4325RNF.211.Ü	Schuko-coupling 16A 230V	3x2.5 mm ² - H07RN-F	7 m + 1 m free	1,900W	2,500W

Design the optimum solution for your requirements with our engineers.



Series 524



Technical specifications

- Pre-assembled spring-operated cable reel with pivotable mounting bracket
- Cabinet made of shock resistant plastic materia, grey
- Special steel return spring, factory-set to permanent tension, locking device can be adjusted
- Maximum operating voltage 750V
- Type of protection: IP42
- Weight: approx. 10 kg

Series 524 Earth cable reel

EDP No.	EDP No. F&B	Product ID No.	Dimension / cable	Cable length	
106043		524.7116.P	1x16 mm ² - H05V-F	20 m + 2 m free	

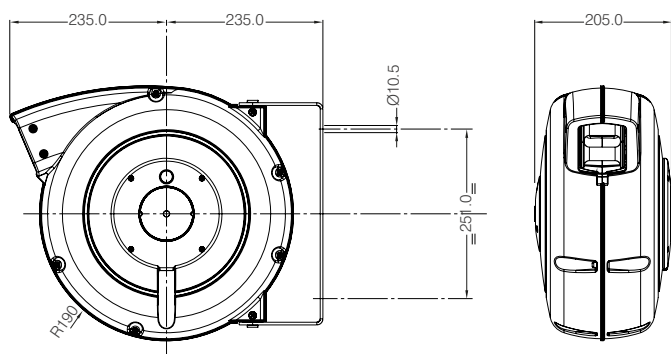
Series 524 without coupling

EDP No.	EDP No. F&B	Product ID No.	Solid rubber coupling	Dimension / cable	Cable length	Coiled version	Uncoiled version
106033		524.7315RNF.P	-	3x1.5 mm ² - H07RN-F	20 m + 2 m free	1,100W	1,800W
104280		524.7325RNF.P	-	3x2.5 mm ² - H07RN-F	17 m + 2 m free	2,000W	3,000W
106034		524.7515RNF.P	-	5x1.5 mm ² - H07RN-F	15 m + 2 m free	1,500W	2,200W
86241		524.7525RNF.P	-	5x2.5 mm ² - H07RN-F	10 m + 2 m free	2,000W	3,000W

Series 524 with coupling

EDP No.	EDP No. F&B	Product ID No.	Solid rubber coupling	Dimension / cable	Cable length	Coiled version	Uncoiled version
85805	107885	524.7315RNF.211	Schuko-coupling 16A 230V	3x1.5 mm ² - H07RN-F	20 m + 2 m free	1,100W	1,800W
104281	107886	524.7325RNF.211	Schuko-coupling 16A 230V	3x2.5 mm ² - H07RN-F	17 m + 2 m free	2,000W	3,000W
86242		524.7525RNF.301657	CEE-coupling 16A 400V	5x2.5 mm ² - H07RN-F	10 m + 2 m free	2,000W	3,000W

Design the optimum solution for your requirements with our engineers.



Series 525



Technical specifications

- Pre-assembled default spring-operated cable reel
- Robust, industry-standard open design in aluminium and steel, Epoxy-coated
- Direct mounting on the wall or with special swiveling holder
- With specialised spring drive; spring made of special steel which has high levels of resistance
- Opening the cable guide using rollers
- Operating voltage max. 500V
- Type of protection: IP65
- Mounting options and accessories, see page 24-25
- The spring-operated cable reel is supplied ex factory with a permanent tension setting. The locking device can be easily switched on prior to entry into service.
- Incl. 2.5 m connection cables to the power input, 2 m wires externally
- The indicated cable lengths refer to installation type E (see page 25). The cable length that can actually be used depends on the respective installation type.

Series 525 Earth cable reel

EDP No.	EDP No. F&B	Product ID No.	Dimension / cable	Cable length	Bracket	Dimensions in mm		
						A	B	C
101328		525.1711.1701.P	1x16 mm ² - H05V-F	30 m + 2 m free	with swiveling bracket (1701)	440	160	365
106049		525.1711.1703.P	1x16 mm ² - H05V-F	30 m + 2 m free	with wall bracket (1703)	440	160	365

Series 525 without coupling with wall bracket 1703

EDP No.	EDP No. F&B	Product ID No.	Solid rubber coupling	Dimension / cable	Cable length	Coiled version	Uncoiled version	Dimensions in mm		
								A	B	C
106050		525.1717RNF.1703.P	-	3x2.5 mm ² - H07RN-F	29 m + 2 m free	2,000W	3,500W	440	160	365
106051		525.1753RNF.1703.P	-	5x2.5 mm ² - H07RN-F	24 m + 2 m free	7,000W	9,500W	440	160	365
106052		525.1757RNF.1703.P	-	5x6.0 mm ² - H07RN-F	14 m + 2 m free	17,000W	22,000W	550	160	410
106117		525.1766.1703.P	-	8x2.5 mm ² - H05VV-F	15 m + 2 m free	7.5A	7.5A	440	160	410

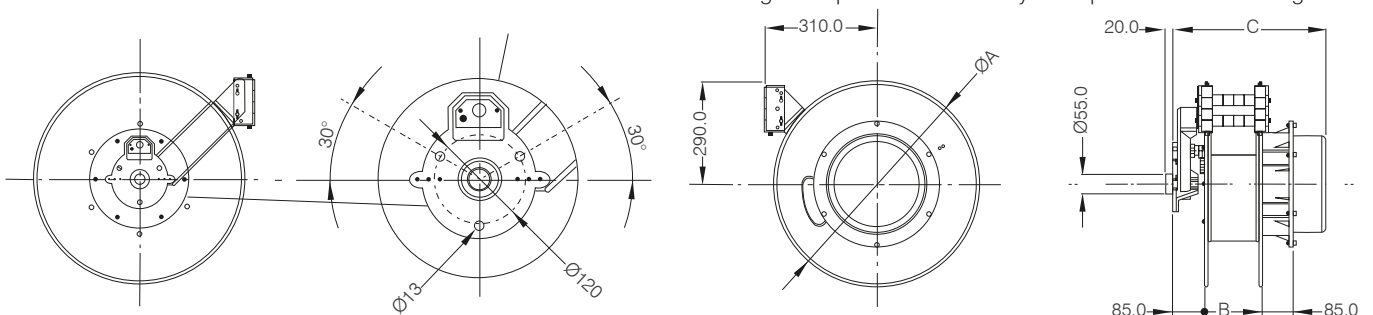
Series 525 without coupling with swiveling bracket 1701

EDP No.	EDP No. F&B	Product ID No.	Solid rubber coupling	Dimension / cable	Cable length	Coiled version	Uncoiled version	Dimensions in mm		
								A	B	C
106118		525.1766.1701.P	-	8x2.5 mm ² - H05VV-F	15 m + 2 m free	7.5A	7.5A	440	160	410

Series 525 with coupling with wall bracket 1703

EDP No.	EDP No. F&B	Product ID No.	Solid rubber coupling	Dimension / cable	Cable length	Coiled version	Uncoiled version	Dimensions in mm		
								A	B	C
106054	107887	525.1717RNF.1703.211.P	Schuko-coupling 16A 230V	3x2.5 mm ² - H07RN-F	29 m + 2 m free	2,000W	3,500W	440	160	365
106055		525.1753RNF.1703.301657.P	CEE-coupling 16A 400V	5x2.5 mm ² - H07RN-F	24 m + 2 m free	7,000W	9,500W	440	160	365
106056		525.1757RNF.1703.303257.P	CEE-coupling 32A 400V	5x6.0 mm ² - H07RN-F	14 m + 2 m free	17,000W	22,000W	550	160	410

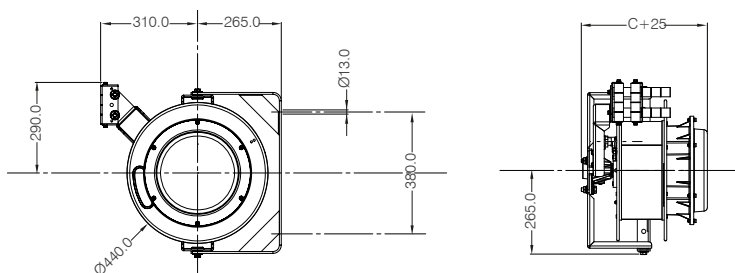
Design the optimum solution for your requirements with our engineers.



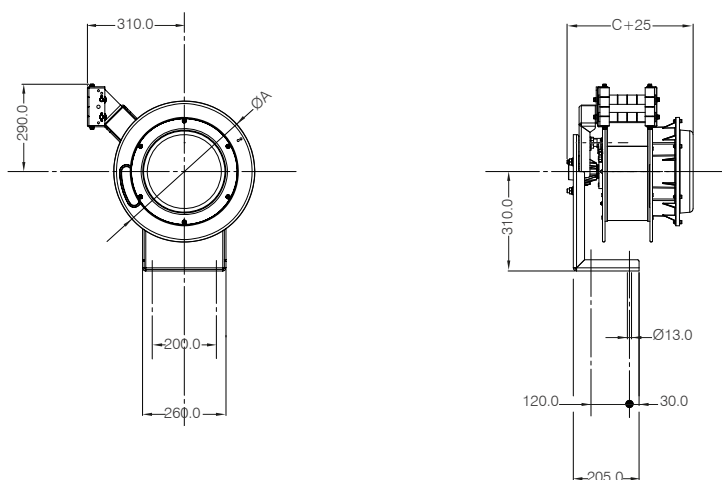
Accessories Series 525



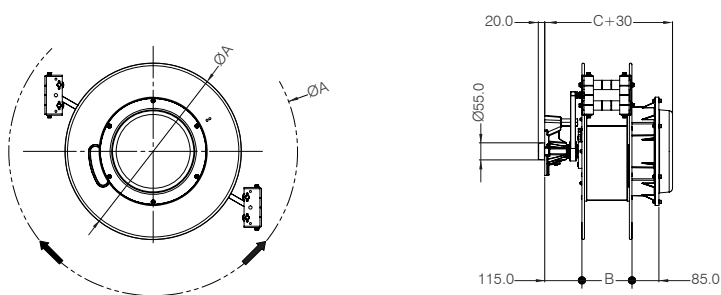
1701 - swiveling Holder



1703 - attachment device



1704 - swivelling bracket

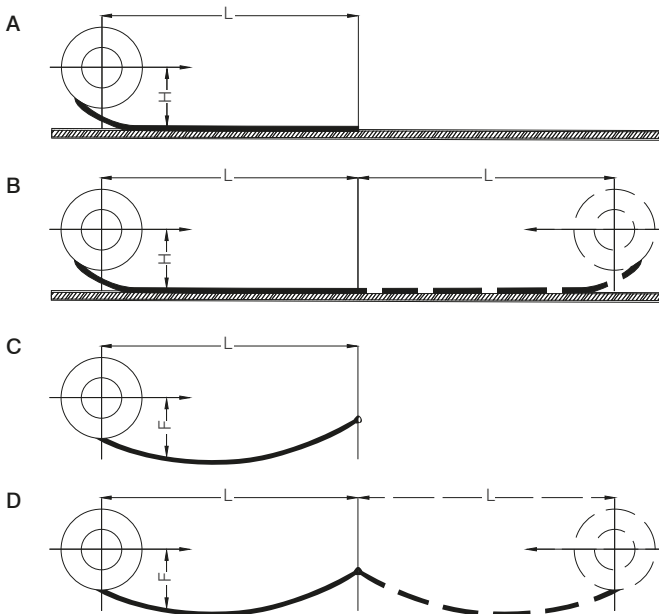


Series 525 Accessories

EDP No.	Product ID No.	Description
101324	525.1701	rotating holder series 525
87170	525.1703.BEFESTIGUNG	attachment device for wall, cover or ground
106046	525.1704.SCHWENKARM	rotating bracket for series 525

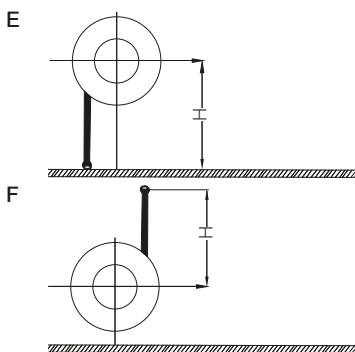
Design the optimum solution for your requirements with our engineers.

Drum (Series 525) mounted on moving part, horizontal rolling



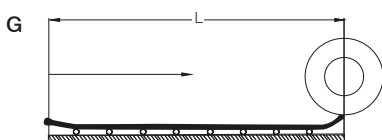
- A Uncoiled cable on the ground, rolling in one direction. Optimum installation with max. application possibilities
- B Uncoiled cable on the ground, rolling in two directions
- C Hanging cable, rolling in one direction, low number of cables, short length
- D Hanging cable, rolling in two directions.

Drum (Series 525) on a stationary or movable part mounted, vertical rolling



- E With top-mounted drum. Reduced number of meters due to weight of the cable.
- F With bottom-mounted drum. Optimum installation with max. application options Drum (Series 525) mounted on stationary or movable part, vertical rolling.

Drum (Series 525) to stationary or movable part mounted, vertical rolling



- G Cable on rollers, rolling in one direction

If the length and the cross-section increase, the dead weight of the reel increases.
The installation options for the cable are therefore limited.

Series 580



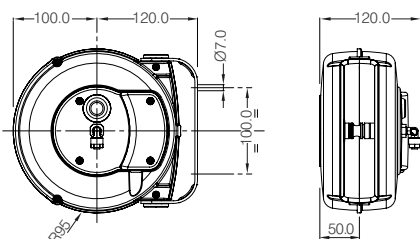
Technical specifications

- Hose reel for air and cold water
- Ideal for industry, commerce and hobbies
- Cabinet made of shock-resistant plastic material, black / yellow
- Roller factory-set with locking device, approx. every 50 cm, can be converted to permanent tension
- Operating pressure: max. 12 bar
- Swiveling bracket for wall and ceiling mounting
- Environmental temperature: -5° up to +40°C
- Weight: approx. 2 kg

Series 580

EDP No.	Product ID No.	Hose length wound up	interior-Ø	connection	pressure
65613	580.9100/6	5.5 m + 1 m free	5.5 mm	1/4"	12 bar

Design the optimum solution for your requirements with our engineers.



Series 584



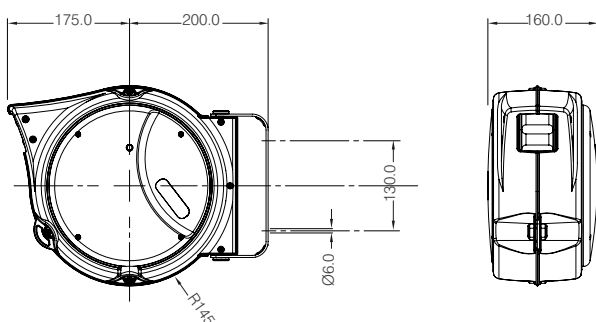
Technical specifications

- Hose reels for air
- Access tube: 1.5 m
- Ideal for industry, commerce and hobbies
- Cabinet made of special, high-quality plastic
- Roller factory-set with locking device, approx. every 50 cm, can be converted to permanent tension
- Operating pressure: max. 15 bar
- Swiveling metal bracket
- Environmental temperature: -5° up to +40°C
- Weight AM80 approx. 4.5 kg
- Weight AM85 approx. 8.0 kg

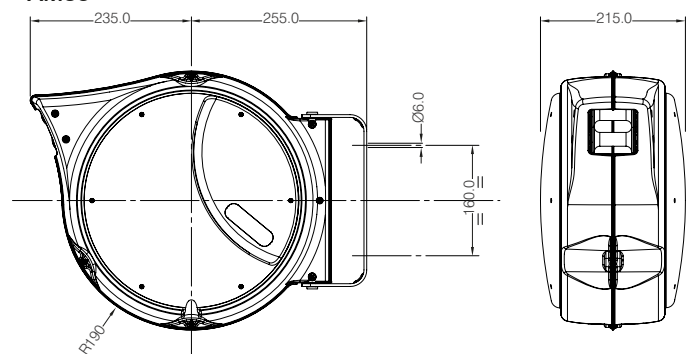
Series 584					
EDP No.	Product ID No.	Hose length wound up	interior-Ø	connection	pressure
105623	584.AM80/8	9 m + 1 m free	8 mm	1/4"	15 bar
104534	584.AM85/8	15 m + 1 m free	8 mm	1/4"	15 bar
105624	584.AM85/10	15 m + 1 m free	10 mm	1/4"	15 bar

Design the optimum solution for your requirements with our engineers.

AM80



AM85



Series 587

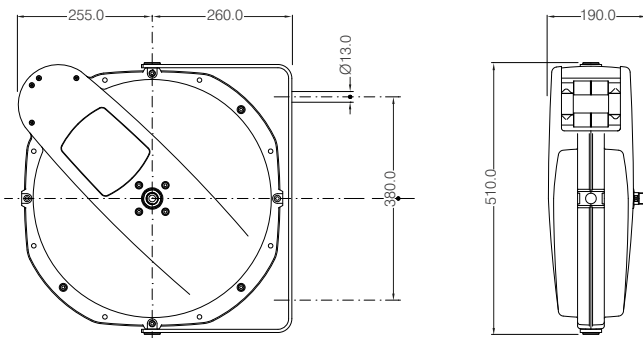


Technical specifications

- Hose reel for air and cold water
- Enclosed design with high pressure resistance of 20 bar
- Solid aluminium pressure casing, powder-coated, yellow
- Stopper for desired hose length
- Operating pressure: max. 20 bar
- Transition joint, brass/stainless steel
- Input connector to transition joint
- Polyurethane hose
- Entry: 1/2"
- Rotating bracket for wall and ceiling mounting
- Environmental temperature: -5° up to +50°C
- Weight: approx. 20 kg

Series 587					
EDP No.	Product ID No.	Hose length wound up	interior-Ø	connection	pressure
67014	587.8803	20 m + 1 m free	10 mm	3/8"	20 bar
65347	587.8804	15 m + 1 m free	12.5 mm	1/2"	20 bar

Design the optimum solution for your requirements with our engineers.



Series 588



Technical specifications

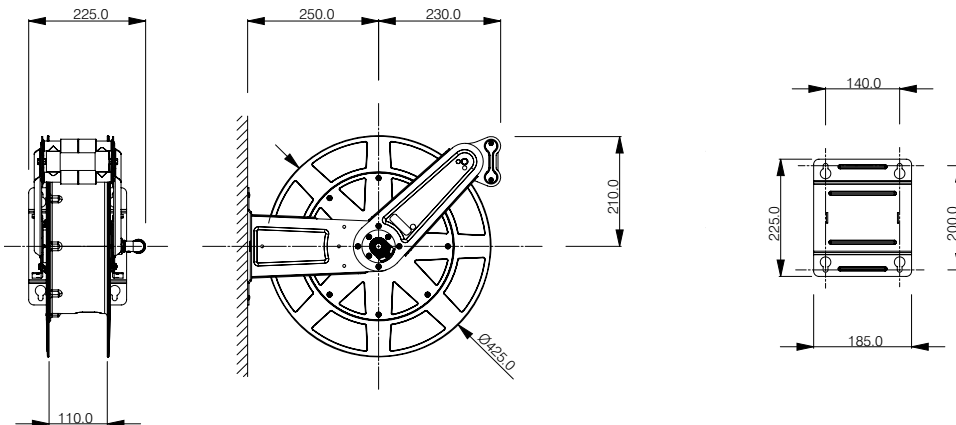
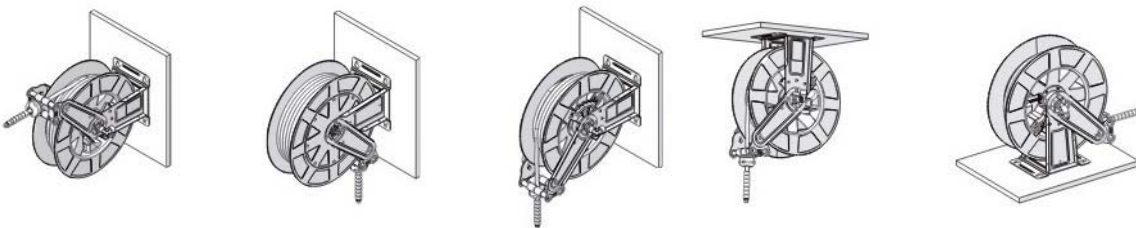
- Hose reel for air and cold water
- Large model, versatile installation, open structure
- Reel body made of high-quality special plastic
- Gloss polyurethane hose
- Operating pressure: max. 20 bar
- Support bracket made of galvanized, stainless steel
- Stopper for the desired hose length
- Transition joint, brass/stainless steel
- Input connector to transition joint
- Universal hose with stopper
- Entry: 1/2"
- With special accessory swiveling
- Environmental temperature: -10° up to +50°C
- Weight: approx. 17 kg

Series 588					
EDP No.	Product ID No.	Hose length wound up	interior-Ø	connection	pressure
118260	588.8424	20 m + 1 m free	10 mm	3/8"	20 bar
115587	588.8427	20 m + 1 m free	12.5 mm	1/2"	20 bar

Series 588 accessories			
EDP No.	Product ID No.	Description	
115588	588.8400/SW	swivel device for Series 588	

Design the optimum solution for your requirements with our engineers.

mounting options



Series 589



Technical specifications

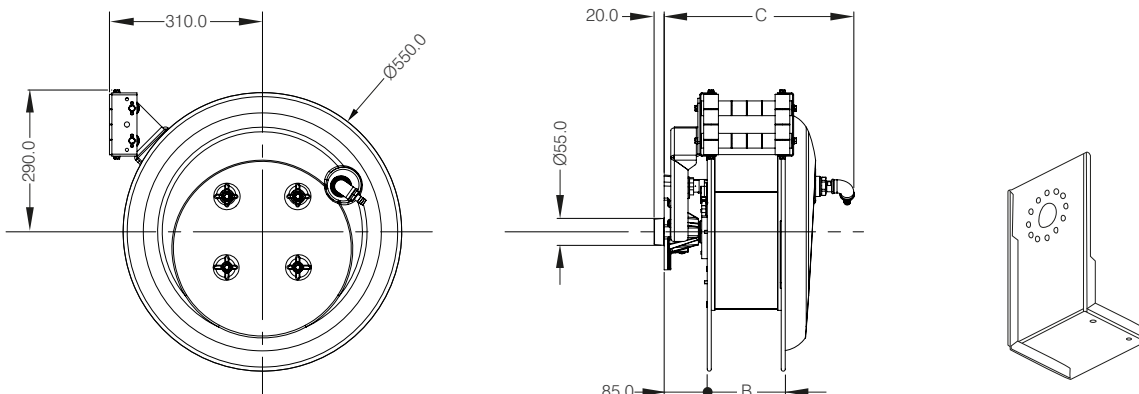
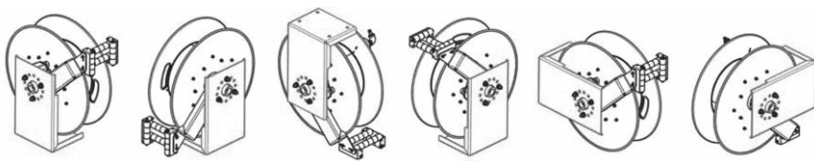
- Hose reel for air and cold water
- Closed design with high pressure resistance, up to 20 bar
- Design in hot-lacquered aluminium and steel
- Lateral clamping flange made of aluminium with integrated tooth locking device (delivery includes disabled locking device and can be easily activated before commissioning)
- The hose guide is opened with rollers
- The optimized through-joint prevents the build up of air
- Special spring drive, spring made of special steel with high strength
- Influx hose: 1 m
- Environmental temperature: - 5° up to + 40°C
- Additional device for ceiling, wall or floor mounting

Series 589								
EDP No.	Product ID No.	Hose length wound up	interior-Ø	connection	pressure	Dimensions in mm		
						B	C	
73205	589.8921	30 m + 2 m free	10 mm	3/8"	20 bar	130	360	
105625	589.8931	30 m + 2 m free	13 mm	1/2"	20 bar	130	360	
83889	589.8941	15 m + 2 m free	19 mm	3/4"	10 bar	160	390	

Series 589 accessories			
EDP No.	Product ID No.	Description	
83890	589.8901.WANDBEFESTIGUNG	Assembly device for ceiling, wall or floor mounting Series 589	

Design the optimum solution for your requirements with our engineers.

mounting options



Application examples / Customer Solutions



EDP No. 76017



EDP No. 101466



EDP No. 80904



EDP No. 86358



EDP No. 106050



EDP No. 104534

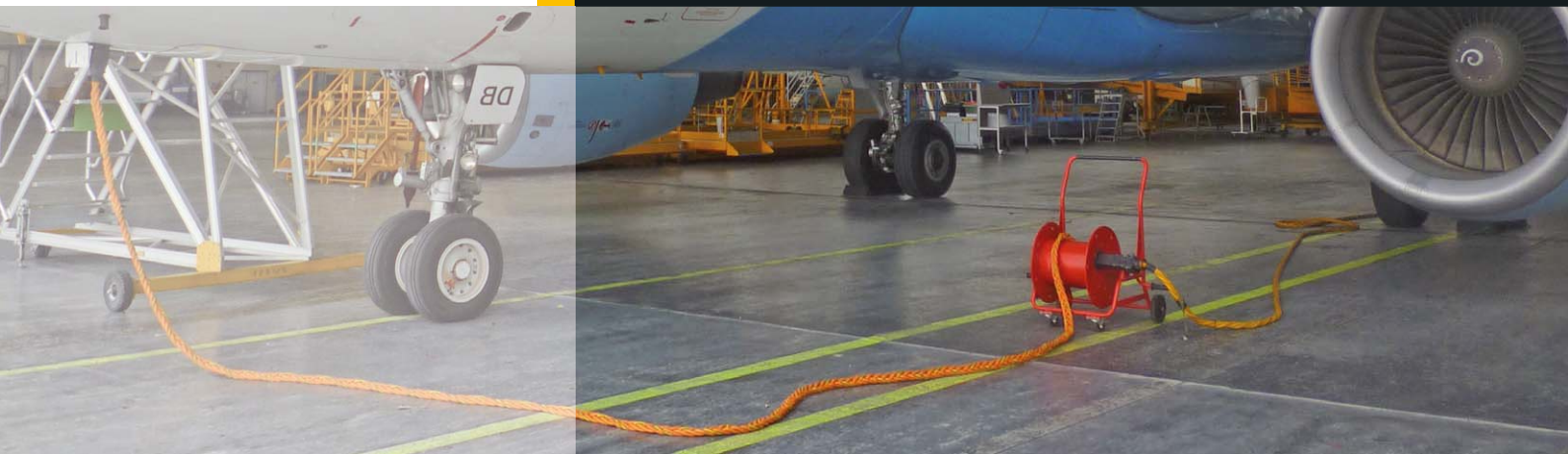


EDP No. 73205



EDP No. 103795

CONTACT US



GIFAS
ELECTRIC

GIFAS ELECTRIC
Gesellschaft m.b.H
Strass 2
5301 Eugendorf
AUSTRIA

🌐 www.gifas.at
✉ verkauf@gifas.at
☎ +43 6225/7191-0
📠 +43 6225/7191-561
☎ +49 8654/404-2000