

SYSTEMATIC QUALITY



## Floor outlets



## FONTO with hinged cover

Page 4 - 11



## FONTO with screw cap

Page 12 - 15



## MASSO with screw cap

Page 17 - 21



## Application examples



FONTO  
8301

Page 10

FONTO  
8308

Page 11

### GIFAS floor outlets

The well-designed and robust floor outlets, made of aluminium, are available in different sizes.

These smart allrounders are used in congress halls and event spaces, hotel and gastronomy, company buildings, industrial areas, outdoor facilities etc. - basically anywhere there are high levels of demand for functionality and safety.

All models can be travelled over and depending on the model, can even be used on floors that require wet cleaning, where there is splashing water and outdoors.

In addition to the listed standard versions with fixed assembly, the floor outlets can also be individually tailored. The GIFAS sales professionals are happy to fulfil their customer requests.

And of course, only the trusted GIFAS equipment range is used, meaning that the usual first-class quality can also be guaranteed for this product range.

FONTO and MASSO - sophisticated technology and ambitious design.

### ATTENTION

Maximum static load according to EN 50085.

Underfloor electrical installation systems cannot absorb higher loads like the surrounding ground structures. The load must always be considered in conjunction with the floor structure, the flooring and the workmanship of the installation. Ground electrical outlets and floor construction as well as flooring form a functional unit in operation.

The specified protection class is reached, by the floor outlets, only after installation by qualified personnel.

The items in this catalog may change due to technical innovations without separate notification.

## FONTO 2000



Floor outlets with hinged cover and leveling frame  
(Leveling feet optionally available)

Application

Indoor use

### Technical data

Outer dimensions (L x W)	110 x 95 mm
Installation depth	approx. 75 mm (delivery setting)
Levellable	72 - 78 mm
Installation height with leveling feet	88 - 130 mm
Installation height with threaded pin extension	88* - 230 mm
Material	aluminium untreated
Color	aluminium untreated
Maximum static load according to EN 50085	20kN
Maximum conductor cross-section	depending on module use

### Features

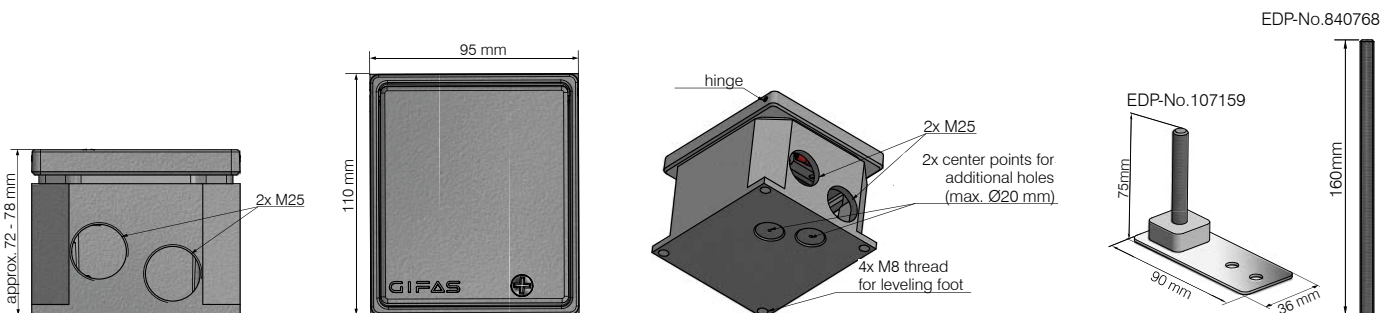
- In staggered condition adjustable frame (+/- 3 mm) for easy adaptation to the finished floor level
- Floor socket to be set floor leveled with hinged cover
- For 1x input 45 x 45 x 4 mm (e.g. Schuko, RJ45, TV, HDMI, USB etc.)
- Can be travelled over when closed
- Suitable for maintenance with wet sweeping devices when closed (IP65)
- When plugged in: only for dry-cleaned floors (IP20)

EDP No.	Product-ID-No. / Description
840886	FONTO.2000-1AG / Floor outlets with hinged cover, 110x95x75 mm, closed IP65, <b>alu-natural ground</b> , 1 modul 45x45 mm, levellable +/- 3 mm
840900	FONTO.2000-1PG.RAL9006.WEISSALU / Floor outlets with hinged cover, 110x95x75 mm, closed IP65, <b>coated in RAL 9006 white aluminum</b> , 1 modul 45x45 mm, levellable +/- 3 mm

Accessories	Installation height
107159 FONTO.MASSO.NIVELLIERSCHRAUBE. SENKVERTEILER / Leveling screw: consisting of: 1x base plate + 1x leveling pin M8 x 60	88 - 130 mm
Option	
840768 M8.160.A2.DIN976-1 / Threaded rod M8 x 160 mm suitable for base plate 107159	88* - 230 mm

Inserts modul FONTO on page 14 - 15 !

\* Shorten the setscrew as required



Leveling feet are only used to set up the floor socket. Loading class / stability is only achieved by backfilling the floor socket with solid material (mortar, concrete ...).

CE

07/2021/1.0

**FONTO 2005**



Floor outlets with hinged cover and leveling frame  
(Leveling feet optionally available)

Application

Indoor use

**Technical data**

Outer dimensions (L x W)	110 x 95 mm
Installation depth	approx. 75 mm (delivery setting)
Levellable	72 - 78 mm
Installation height with leveling feet	88 - 130 mm
Installation height with threaded pin extension	88* - 230 mm
Material	aluminium untreated
Color	aluminium untreated
Maximum static load according to EN 50085	20kN
Maximum conductor cross-section	depending on module use

**Features**

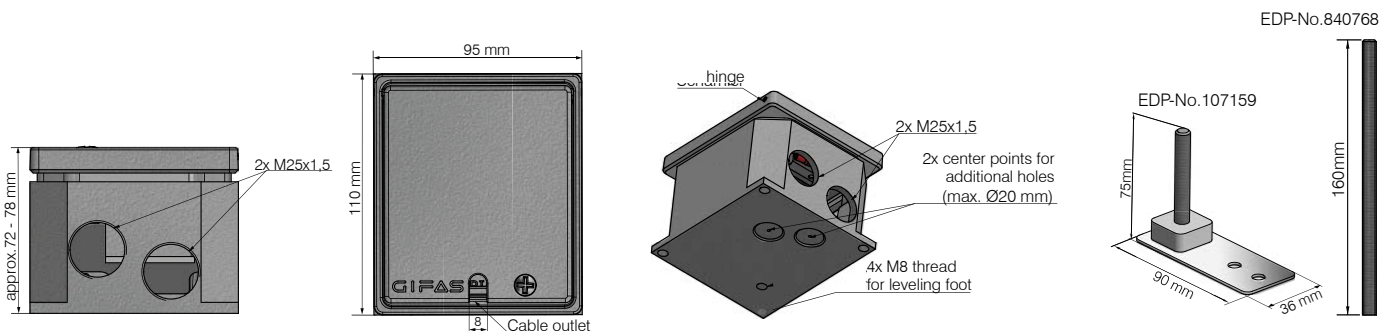
- In staggered condition adjustable frame (+/- 3 mm) for easy adaptation to the finished floor level
- Floor socket to be set floor leveled with hinged cover including 1x cable outlets
- For 1x input 45 x 45 x 4 mm (e.g. Schuko, RJ45, TV, HDMI, USB etc.)
- Can be travelled over when closed
- When closed and plugged in: only for dry-cleaned floors (IP20)
- Not suitable for sockets according to British standards

EDP No.	Product-ID-No. / Description
840891	FONTO.2005-1AG / Floor outlets with hinged cover and cable outlet, 110x95x75 mm, closed IP20, <b>alu-natural ground</b> , 1 modul 45x45 mm, levellable +/- 3 mm

Accessories		Installation height
107159	FONTO.MASSO.NIVELLIERSCRAUBE. SENKVERTEILER / Leveling screw: consisting of: 1x base plate + 1x leveling pin M8x60	88 - 130 mm
Option		
840768	M8.160.A2.DIN976-1 / Threaded rod M8 x 160 mm suitable for base plate 107159	88* - 230 mm

Inserts modul FONTO on page 14 - 15 !

\* Shorten the setscrew as required



Leveling feet are only used to set up the floor socket. Loading class / stability is only achieved by backfilling the floor socket with solid material (mortar, concrete ...).

CE

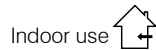
## FONTO 4290



Protective cover made of cardboard (integrated in packaging)

Floor outlets with hinged cover and leveling frame  
(Leveling feet optionally available)

Application



### Technical data

Outer dimensions (L x W)	119 x 119 mm
Installation depth	approx. 83 mm (delivery setting)
Levellable	77 - 89 mm
Installation height with leveling feet	95 - 140 mm
Installation height with threaded pin extension	95* - 240 mm
Material	aluminium untreated (salt and seawater resistant)
Color	alu colored anodized
Maximum static load according to EN 50085	20kN

### Features

- In staggered condition adjustable frame (+/- 6 mm) for easy adaptation to the finished floor level
- Floor socket to be set floor leveled with hinged cover
- For 2x input 45 x 45 x 4 mm (e.g. Schuko, RJ45, TV, HDMI, USB etc.)
- Protective cover made of cardboard to prevent damage during the construction phase (integrated in packaging)
- Can be travelled over when closed
- Suitable for maintenance with wet sweeping devices when closed (IP65)
- When plugged in: only for dry-cleaned floors (IP20)

### EDP No. Product-ID-No. / Description

840725	FONTO.4290-1EG / Floor outlets with hinged cover 119x119x83 mm, closed IP65, <b>alu colored anodized</b> , for 2 modules 45 x 45 mm, levellable +/- 6 mm
--------	---

### Version for sockets according to British standards

840852	FONTO.4290-1EG.UK / Floor outlets with hinged cover 119x119x83 mm, closed IP65, <b>alu colored anodized</b> , for 2 inserts British standard, levellable +/- 6 mm
--------	--

Accessories	Installation height
-------------	---------------------

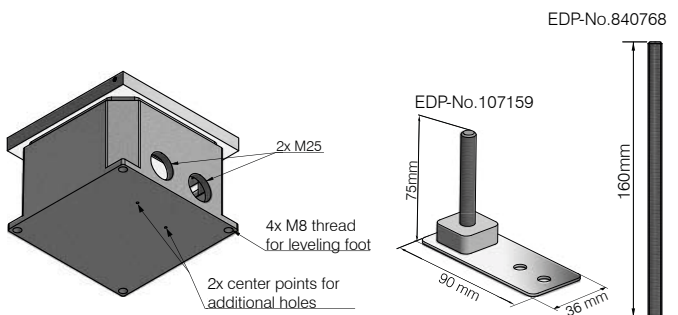
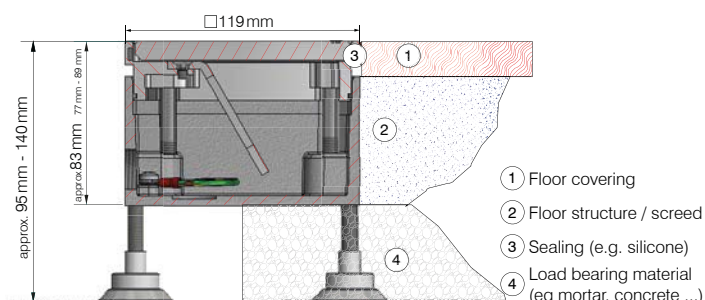
107159	FONTO.MASSO.NIVELLIERSCRAUBE. SENKVERTEILER / Leveling screw: consisting of: 1x base plate + 1x leveling pin M8x60	95 - 140 mm
--------	--	-------------

### Option

840768	M8.160.A2.DIN976-1 / Threaded rod M8 x 160 mm suitable for base plate 107159	95* - 240 mm
--------	---	--------------

Inserts modul FONTO on page 14 - 15 !

\* Shorten the setscrew as required



Leveling feet are only used to set up the floor socket. Loading class / stability is only achieved by backfilling the floor socket with solid material (mortar, concrete ...).





**FONTO 4295**



Protective cover made of cardboard (integrated in packaging)

Floor outlets with hinged cover and leveling frame  
(Leveling feet optionally available)

Application

Indoor use

**Technical data**

Outer dimensions (L x W)	119 x 119 mm
Installation depth	approx. 83 mm (delivery setting)
Levellable	77 - 89 mm
Installation height with leveling feet	95 - 140 mm
Installation height with threaded pin extension	95* - 240 mm
Material	aluminium untreated (salt and seawater resistant)
Color	alu colored anodized
Maximum static load according to EN 50085	20kN

**Features**

- In staggered condition adjustable frame (+/- 6 mm) for easy adaptation to the finished floor level
- Floor socket to be set floor leveled with hinged cover including 2x cable outlets
- For 2x input 45 x 45 x 4 mm (e.g. Schuko, RJ45, TV, HDMI, USB etc.)
- Protective cover made of cardboard to prevent damage during the construction phase (integrated in packaging)
- Passable when closed
- When closed and plugged in: only for dry-cleaned floors (IP20)

**EDP No. Product-ID-No. / Description**

840764	FONTO.4295-1EG / Floor outlets with hinged cover and cable outlet, 119x119x83 mm, closed IP20, <b>alu colored anodized</b> , for 2 modules 45x45 mm, levellable +/- 6mm
--------	--

**Version for sockets according to British standards**

840853	FONTO.4295-1EG.UK / Floor outlets with hinged cover and cable outlet, 119x119x83 mm, closed IP20, <b>alu colored anodized</b> , for 2 inserts British standard, levellable +/- 6mm
--------	---

**Accessories Installation height**

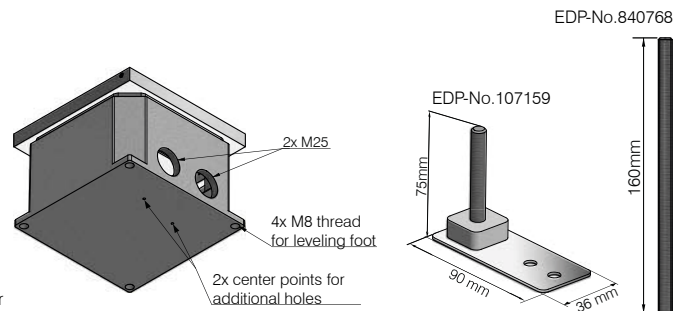
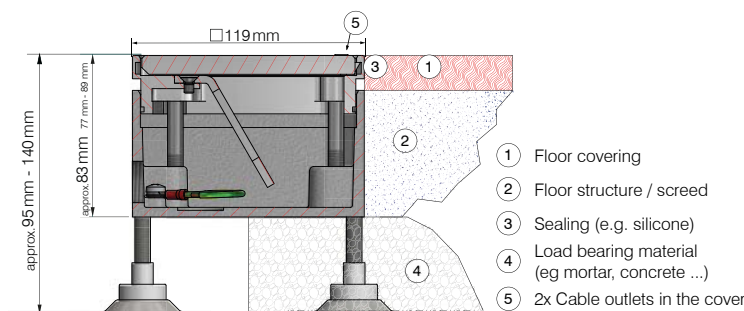
107159	FONTO.MASSO.NIVELLIERSCRAUBE. SENKVERTEILER / Leveling screw: consisting of: 1x base plate + 1x leveling pin M8x60	95 - 140 mm
--------	---	-------------

**Option**

840768	M8.160.A2.DIN976-1 / Threaded rod M8 x 160 mm suitable for base plate 107159	95* - 240 mm
--------	--	--------------

Inserts modul FONTO on page 14 - 15 !

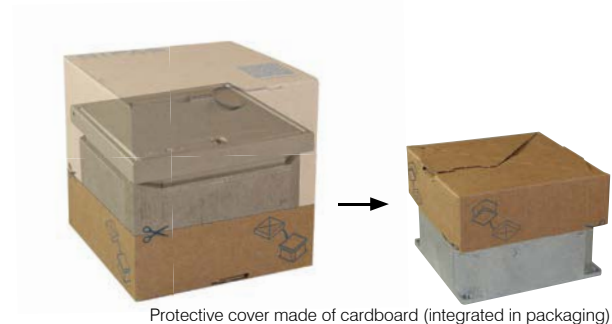
\* Shorten the setscrew as required



Leveling feet are only used to set up the floor socket. Loading class / stability is only achieved by backfilling the floor socket with solid material (mortar, concrete ...).



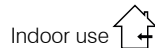
## FONTO 4301



Protective cover made of cardboard (integrated in packaging)

Floor outlets with hinged cover and leveling frame  
(Leveling feet optionally available)

Application



### Technical data

Outer dimensions (L x W)	119 x 119 mm
Installation depth	approx. 83 mm (delivery setting)
Levellable	77 - 89 mm
Installation height with leveling feet	95 - 140 mm
Installation height with threaded pin extension	95* - 240 mm
Material	Aluminium untreated (salt and seawater resistant)
Color	Alu colored anodized
Maximum static load according to EN 50085	20kN

### Features

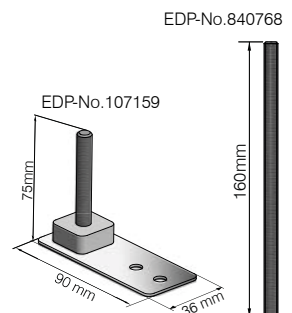
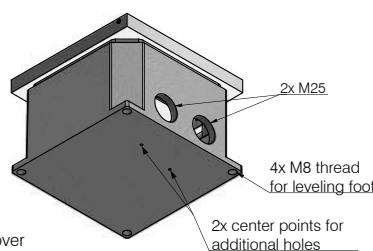
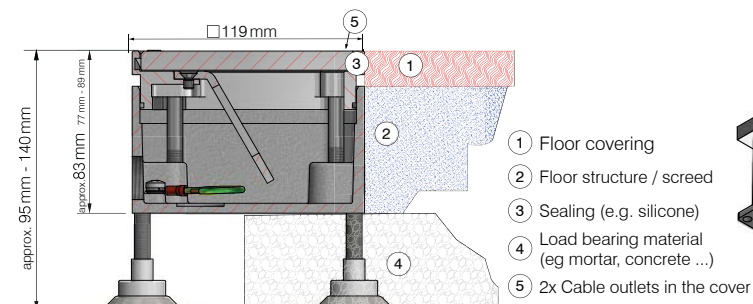
- In staggered condition adjustable frame (+/- 6 mm) for easy adaptation to the finished floor level
- Floor socket to be set floor leveled with hinged cover including 2x cable outlets
- For 2x input 45 x 45 x 4 mm (e.g. Schuko, RJ45, TV, HDMI, USB etc.)
- Protective cover made of cardboard to prevent damage during the construction phase (integrated in packaging)
- Can be travelled over when closed
- Suitable for maintenance with wet sweeping devices when closed (IP65)
- When plugged in: only for dry-cleaned floors (IP20)

EDP No.	Artikel-Nr. / Bezeichnung
840765	FONTO.4301-1EG / Floor outlets with hinged cover and cable outlet, 119x119x83 mm, closed IP65, <b>alu colored anodized</b> , 2 modules 45x45 mm, levellable +/- 6 mm
<b>Version for sockets according to British standards</b>	
840850	FONTO.4301-1EG.UK / Floor outlets with hinged cover and cable outlet, 119x119x83 mm, closed IP65, <b>alu colored anodized</b> , for 2 inserts British standard, levellable +/- 6 mm

Accessories		Installation height
107159	FONTO.MASSO.NIVELLIERSCHRAUBE. SENKVERTEILER / Leveling screw: consisting of: 1x base plate + 1x leveling pin M8x60	95 - 140
<b>Option</b>		
840768	M8.160.A2.DIN976-1 / Threaded rod M8 x 160 mm suitable for base plate 107159	95* - 240 mm

Inserts modul FONTO on page 14 - 15 !

\* Shorten the setscrew as required



Leveling feet are only used to set up the floor socket. Loading class / stability is only achieved by backfilling the floor socket with solid material (mortar, concrete ...).

CE

07/2021/1.0



**FONTO 4308**  
Designed for floor coverings



Protective cover made of cardboard (integrated in packaging)

Floor outlets with hinged cover and leveling frame  
(Leveling feet optionally available)

Application

Indoor use

**Technical data**

Outer dimensions (L x W)	119 x 119 mm
Installation depth	approx. 83 mm (delivery setting)
Levellable	77 - 89 mm
Installation height with leveling feet	95 - 140 mm
Installation height with threaded pin extension	95* - 240 mm
Recess depth for flooring	7 mm
Material	Aluminium untreated (salt and seawater resistant)
Color	Alu colored anodized
Maximum static load according to EN 50085	20kN

**Features**

- In staggered condition adjustable frame (+/- 6 mm) for easy adaptation to the finished floor level
- Floor socket to be set floor leveled with hinged cover including 2x cable outlets
- For 2x input 45 x 45 x 4 mm (e.g. Schuko, RJ45, TV, HDMI, USB etc.)
- Protective cover made of cardboard to prevent damage during the construction phase (integrated in packaging)
- Can be travelled over when closed
- Suitable for maintenance with wet sweeping devices when closed (IP65)
- When plugged in: only for dry-cleaned floors (IP20)

**EDP No. Artikel-Nr. / Bezeichnung**

840766 FONTO.4308-1EG /  
Floor outlets with cover for flooring and cable outlet,  
119x119x83 mm, closed IP65, **alu colored anodized**,  
2 modules 45x45 mm, levellable +/- 6 mm

**Version for sockets according to British standards**

840851 FONTO.4308-1EG.UK /  
Floor outlets with cover for flooring and cable outlet,  
119x119x83 mm, closed IP65, **alu colored anodized**,  
for 2 inserts British standard, levellable +/- 6 mm

**Accessories** **Installation height**

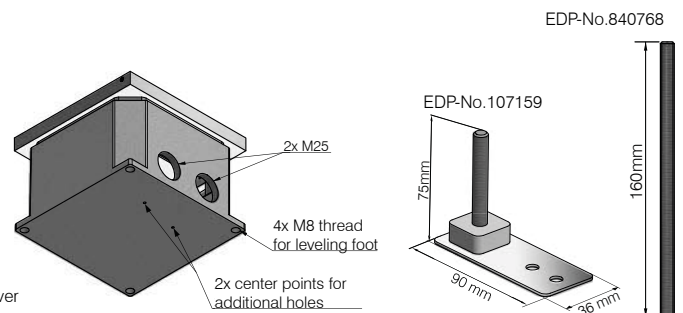
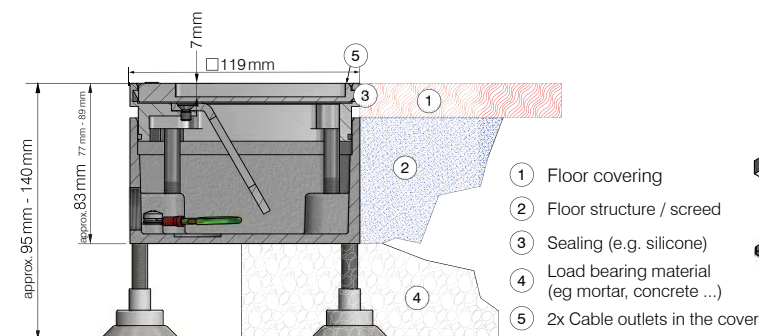
107159 FONTO.MASSO.NIVELLIERSCRAUBE. SENKVERTEILER / Leveling screw: consisting of: 1x base plate + 1x leveling pin M8x60	95 - 140
--	----------

**Option**

840768 M8.160.A2.DIN976-1 / Threaded rod M8 x 160 mm suitable for base plate 107159	95* - 240 mm
---	--------------

Inserts modul FONTO on page 14 - 15 !

\* Shorten the setscrew as required



Leveling feet are only used to set up the floor socket. Loading class / stability is only achieved by backfilling the floor socket with solid material (mortar, concrete ...).



## FONTO 8301

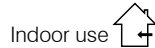


Slide-in piece for securely closing the cable outlet opening (recommended for accessible areas).

EDP-No.840862

Floor socket with hinged cover removable and leveling frame (Leveling feet optionally available)

Application



### Technical data

Outer dimensions (L x W)	240 x 240 mm
Installation depth	approx. 95 mm (delivery setting)
Levellable	90 - 100 mm
Installation height with leveling feet	105 - 150 mm
Installation height with threaded pin extension	105* - 250 mm
Material	aluminium untreated (salt and seawater resistant)
Color	alu colored anodized
Maximum static load according to EN 50085	20kN

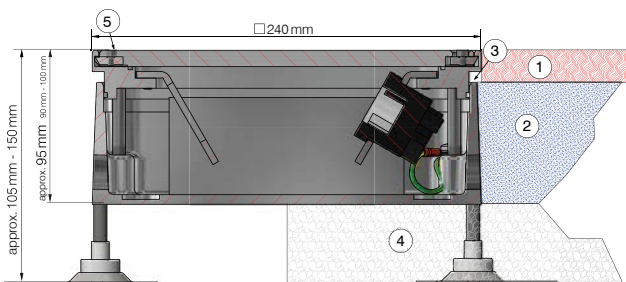
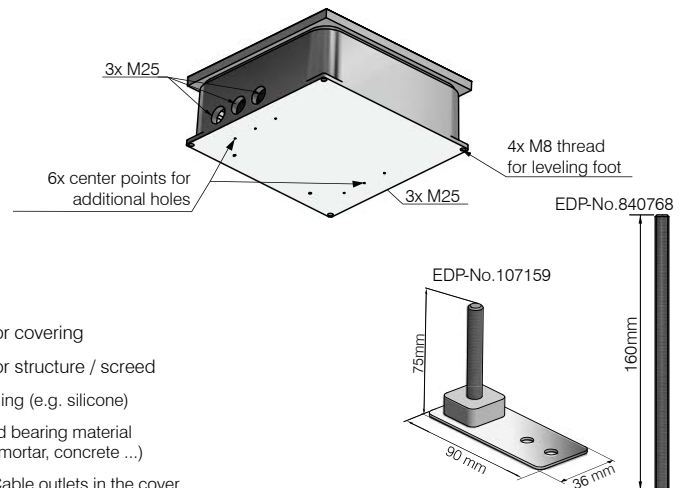
### Features

- In staggered condition adjustable frame (+/- 5 mm) for easy adaptation to the finished floor level
- Floor socket to be set floor leveled with hinged cover including 4x cable outlets
- For 8x input 45 x 45 x 4 mm (e.g. Schuko, RJ45, TV, HDMI, USB etc.)
- Can be travelled over when closed
- Suitable for maintenance with wet sweeping devices when closed (IP65)
- Only for dry clean floors, both when closed and when plugged in (IP20)

EDP No.	Product-ID-No. / Description
840845	FONTO.8301-1EG / Floor outlets with hinged cover and cable outlet, 240x240x95 mm, closed IP65, <b>alu colored anodized</b> , for 8 modules 45x45 mm, levellable +/- 5 mm
<b>Version for sockets according to British standards</b>	
840865	FONTO.8301-1EG.UK / Floor outlets with hinged cover and cable outlet, 240x240x95 mm, closed IP65, <b>alu colored anodized</b> , for 8 inserts British standard, levellable +/- 5 mm
<b>Accessories</b>	
107159	FONTO.MASSO.NIVELLIERSCHRAUBE. SENKVERTEILER / Leveling screw: consisting of: 1x base plate + 1x leveling pin M8x60
840862	BD-FONTO.EINSATZ. KABELAUSLASS.8XXX.E / Insert for cable outlet floor socket FONTO 8301 and FONTO 8308 anodized aluminum
<b>Option</b>	
840768	M8.160.A2.DIN976-1 / Threaded rod M8 x 160 mm suitable for base plate 107159

### Installation height

Inserts modul FONTO on page 14 - 15 !  
\* Shorten the setscrew as required



- 1 Floor covering
- 2 Floor structure / screed
- 3 Sealing (e.g. silicone)
- 4 Load bearing material (eg mortar, concrete ...)
- 5 4x Cable outlets in the cover

Leveling feet are only used to set up the floor socket. Loading class / stability is only achieved by backfilling the floor socket with solid material (mortar, concrete ...).



07/2021/1.0

**FONTO 8308**  
Designed for floor coverings



Slide-in piece for securely closing the cable outlet opening (recommended for accessible areas).

EDP-No.840862

Floor socket with hinged cover removable and leveling frame (Leveling feet optionally available)

Application

Indoor use

**Technical data**

Outer dimensions (L x W)	240 x 240 mm
Installation depth	approx. 95 mm (delivery setting)
Levellable	90 - 100 mm
Installation height with leveling feet	105 - 150 mm
Installation height with threaded pin extension	105* - 250 mm
Recess depth for flooring	7 mm
Material	aluminium untreated (salt and seawater resistant)
Color	alu colored anodized
Maximum static load according to EN 50085	20kN

**Features**

- In staggered condition adjustable frame (+/- 5 mm) for easy adaptation to the finished floor level
- Floor socket to be set floor leveled with hinged cover including 4x cable outlets
- For 8x input 45 x 45 x 4 mm (e.g. Schuko, RJ45, TV, HDMI, USB etc.)
- Can be travelled over when closed
- Suitable for maintenance with wet sweeping devices when closed (IP65)
- Only for dry clean floors, both when closed and when plugged in (IP20)

**EDP No. Product-ID-No. / Description**

840848	FONTO.8308-1EG / Floor outlets with cover for flooring and cable outlet, 240x240x95 mm, closed IP65, <b>alu colored anodized</b> for 8 modules 45x45 mm, levellable +/- 5 mm
--------	--

**Version for sockets according to British standards**

840864	FONTO.8308-1EG.UK / Floor outlets with hinged cover and cable outlet, 240x240x95 mm, closed IP65, <b>alu colored anodized</b> , for 8 inserts British standard, levellable +/- 5 mm
--------	---

**Accessories Installation height**

107159	FONTO.MASSO.NIVELLIERSCRAUBE. SENKVERTEILER / Leveling screw: consisting of: 1x base plate + 1x leveling pin M8x60	105* - 250 mm
--------	--	---------------

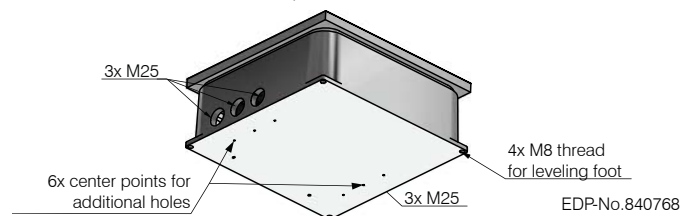
840862	BD-FONTO.EINSATZ. KABELAUSLASS.8XXX.E / Insert for cable outlet floor socket FONTO 8301 and FONTO 8308 anodized aluminum	
--------	--	--

**Options**

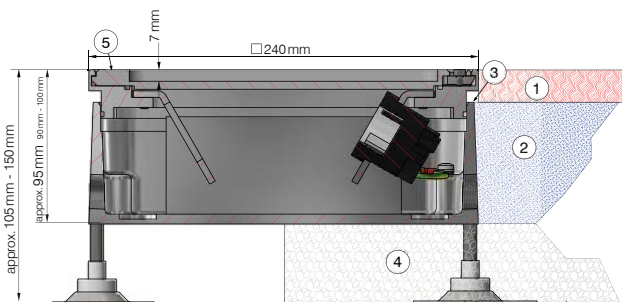
840768	M8.160.A2.DIN976-1 / Threaded rod M8 x 160 mm suitable for base plate 107159	105* - 250 mm
--------	--	---------------

Inserts modul FONTO on page 14 - 15 !

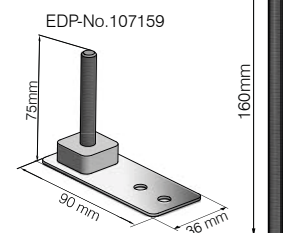
\* Shorten the setscrew as required



EDP-No.840768



- 1 Floor covering
- 2 Floor structure / screed
- 3 Sealing (e.g. silicone)
- 4 Load bearing material (eg mortar, concrete ...)
- 5 4x Cable outlets in the cover



Leveling feet are only used to set up the floor socket. Loading class / stability is only achieved by backfilling the floor socket with solid material (mortar, concrete ...).



## FONTO 4970W



Protective cover made of cardboard (integrated in packaging)

Floor socket with screw cap and outlet pipe and leveling frame  
(Leveling feet optionally available)

Application

Indoor use

### Technical data

Outer dimensions (L x W)	119 x 119 mm
Installation depth	approx. 83 mm (delivery setting)
Levellable	77 - 89 mm
Installation height with leveling feet	95 - 140 mm
Installation height with threaded pin extension	95* - 240 mm
Material	aluminium untreated
Color	alu colored anodized
Maximum static load according to EN 50085	20kN

### Features

- In staggered condition adjustable frame (+/- 6 mm) for easy adaptation to the finished floor level
- Floor outlet with screw cap, to be set at floor level, and outlet pipe (sunk into the floor box when not being used)
- For 1x input 45 x 45 x 4 mm and 1x input 22,5 x 45 x 4 mm (e.g. Schuko, RJ45 etc.)
- Protective cover made of cardboard to prevent damage during the construction phase (integrated in packaging)
- When closed - IP67
- When plugged in (with mounted outlet pipe, water height max. 18 mm) suitable for maintenance with wet sweepers
- Tread-proof when plugged in

### EDP No. Product-ID-No. / Description

840983	FONTO.4970W-1EG / Floor outlets with screw, 119x119x83 mm, <b>alu colored anodized</b> , with water protection tube, closed IP67, 1 module 45x45 mm + 22,5x45 mm, levellable +/- 6 mm
--------	---

### Accessories Installation height

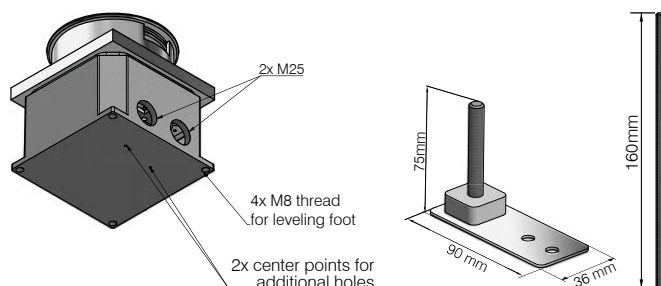
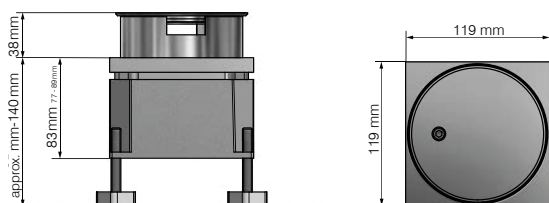
107159	FONTO.MASSO.NIVELLIIERSCHRAUBE. SENKVERTEILER / Leveling screw: consisting of: 1x base plate + 1x leveling pin M8x60	95 - 140 mm
--------	--	-------------

### Option

840768	M8.160.A2.DIN976-1 / Threaded rod M8 x 160 mm suitable for base plate 107159	95* - 240 mm
--------	--	--------------

Inserts modul FONTO on page 14 - 15 !

\* Shorten the setscrew as required



Leveling feet are only used to set up the floor socket. Loading class / stability is only achieved by backfilling the floor socket with solid material (mortar, concrete ...).

CE

07/2021/1.0

**FONTO 5000**



FONTO 5000.R



FONTO 5000

Floor socket with screw cap and outlet pipe  
(Leveling feet optionally available)

Application

Indoor use

**Technical data**

Outer dimensions FONTO 5000R (L x W x H)	156 x 156 x 95 mm
Outer dimensions FONTO 5000 (Ø x H)	156 x 95 mm
Installation depth	approx. 95 mm (delivery setting)
Installation height with leveling feet	100 mm
Installation height with threaded pin extension	100* - 205 mm
Material	aluminium untreated
Color	alu colored anodized
Maximum static load according to EN 50085	40kN

**Features**

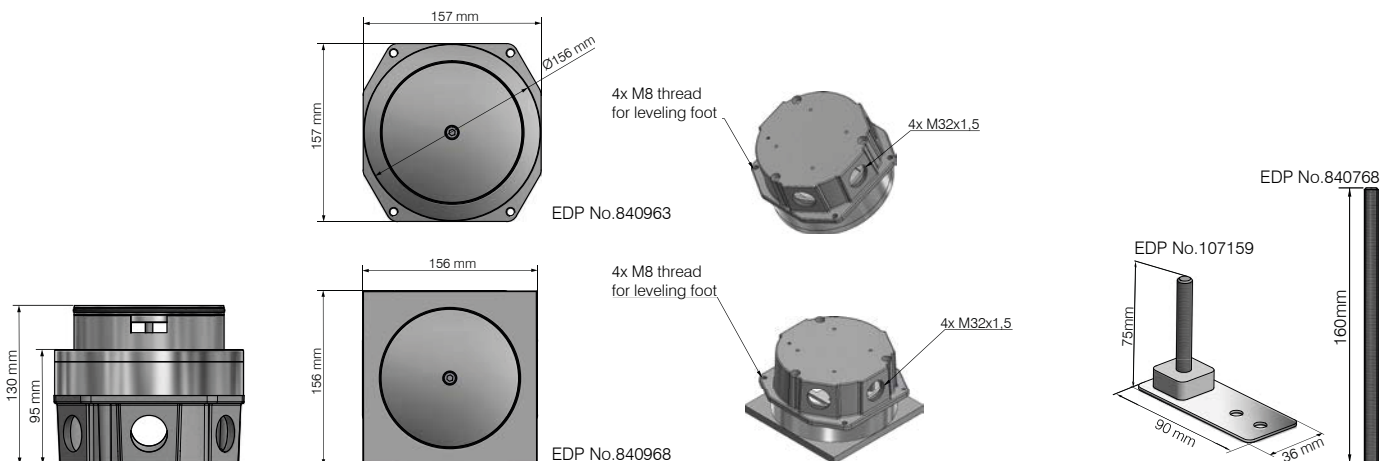
- Floor outlet with screw cap, to be set at floor level, and outlet pipe (sunk into the floor box when not being used)
- For 2x inputs 45 x 45 x 4 mm and 2x inputs 22.5 x 45 x 4 mm (e.g. Schuko, RJ45, etc.)
- When closed - IP67
- When plugged in (with mounted outlet pipe, water height max. 14 mm) suitable for maintenance with wet sweepers
- Tread-proof when plugged in

EDP No.	Product-ID-No. / Description
840968	FONTO.5000.R-1EG / Floor outlets with screw, 156x156x95 mm, <b>alu colored anodized</b> , with water protection tube, closed IP67, 2 module 45x45 mm + 22,5x45 mm
840963	FONTO.5000-1EG / Floor outlets with screw, 156x95 mm, <b>alu colored anodized</b> , closed IP67, 2 module 45x45 mm + 22,5x45 mm

Accessories	Installation height
107159 FONTO.MASSO.NIVELLIERSCRAUBE. SENKVERTEILER / Leveling screw: consisting of: 1x base plate + 1x leveling pin M8x60	100 mm
Options	
840768 M8.160.A2.DIN976-1 / Threaded rod M8 x 160 mm suitable for base plate 107159	100* - 205 mm

Inserts modul FONTO on page 14 - 15 !

\* Shorten the setscrew as required














Leveling feet are only used to set up the floor socket. Loading class / stability is only achieved by backfilling the floor socket with solid material (mortar, concrete ...).

CE













## FONTO Inserts




Sockets			
EDP No.	Product-ID-No.	Description	
107177	309.LEG.45°.BS.MOSAIC.WEISS.2MOD.	Schuko socket 16A 230V white mosaic	
107178	309.LEG.FB.BS.MOSAIC.WEISS.2MOD.	Socket French-Belgian standard, 16A 230V white mosaic	
107179	309.LEG.TYP13.BS.MOSAIC.WEISS.2MOD.	Socket 2P + E 10A 230V white mosaic, TYPE 13	
119703	309.LEG.TYP23.BS.MOSAIC.WEISS.2MOD.	Socket 2P + E 16A 230V white mosaic, TYPE 23	
111180	309.LEG.TYPITALIEN.MOSAIC.WEISS.1MOD	Socket 2P + E 10A 230V white mosaic, TYPE ITALY	
121121	309.LEG.UK.MOSAIC.WEISS.2MOD.	Socket 2P + E 13A according to the British standard. Connection with screw terminals.	
121446	309.LEG.MOSAIC.ORANGE.2MOD.	Schuko socket 2P + E 16A in orange with increased touch protection. Connection with screw terminals.	
121448	309.LEG.MOSAIC.ROT.2MOD.	Schuko socket 2P + E 16A in red with increased touch protection. Connection with screw terminals.	

Switches, signaling device			
EDP No.	Product-ID-No.	Description	
132755	AUSSCHALTER.20A.2PBEL.LEG.MOSAIC.WEISS.2MOD	Switch 2-pole 20A with 0-1 imprint and LED	
132756	WECHSELSCHALTER.10A.1PBEL.LEG.MOSAIC.WEISS.1MOD	Changeover switch 1-pole 10A without LED unit (LED insert EPD-No. 132757)	
132753	SIGNALLEUCHTE.230VAC.2FACH.LEG.MOSAIC.WEISS.1MOD	Light signal 2-fold 230VAC 2x1W LED white incl. color cards red, orange, green, blue	

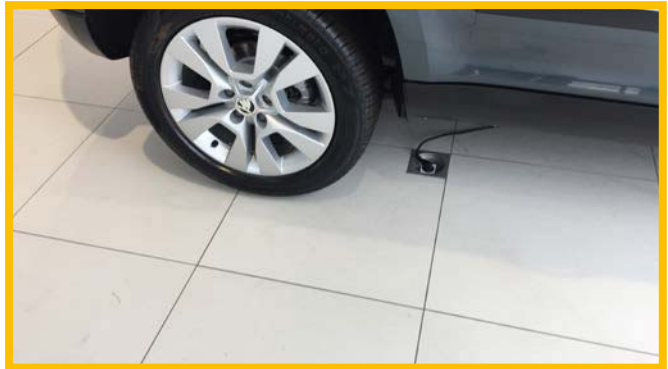
**FONTO Inserts**

Special inserts			
EDP No.	Product-ID-No.	Description	
107181	RJ45.STECKDOSE.LEG.CAT6.GESCH.TOOLESS.MOSAIC.WEISS.1MOD.	RJ45 8P CAT6 socket shielded	
132670	HDMI.STECKDOSE.KABEL.150MM.LEG.MOSAIC.WEISS.1MOD.	HDMI socket + cable 150 mm (only for FONTO 8000 series)	
127066	USB.STECKDOSE.1X5V.750MA.LEG.MOSAIC.WEISS.1MOD.	USB charging module 1-fold, 750mA	
117850	USB.STECKDOSE.2X5V.1500MA.LEG.MOSAIC.WEISS.2MOD.	USB charging module 2-fold, 1500mA	
125932	TVEINZELDOSE.2-LOCH.LEG.MOSAIC.WEISS.1MOD	TV single box TV-SAT outlet	
119312	TVEINZELDOSE.3-LOCH.LEG.MOSAIC.WEISS.2MOD	Single TV socket TV-R-SAT outlet	
118715	TVEINZELDOSE.MALE.0-2400MHZ.LEG.MOSAIC.WEISS.1MOD	Single TV socket (male) 0-2400MHz Mosaic	
127367	PA.DOSE.LEG.MOSAIC.1MODUL.	Equipotential bonding box, 1 module	

Blind covers			
EDP No.	Product-ID-No.	Description	
107185	BLINDABDECKUNG.LEG.MOSAIC.WEISS.1MOD.	Blind cover Legrand mosaic white, 1 mod.	
107187	BLINDABDECKUNG.LEG.MOSAIC.WEISS.2MOD.	Blind cover Legrand mosaic white, 2 mod.	

Accessories			
EDP No.	Product-ID-No.	Description	
79972	M25.VERSCHLUSSSCHRAUBE.POLYAMID.HELLGRAU	M25 screw plug with metric thread, gray	
107168	M32.VERSCHLUSSSCHRAUBE.POLYAMID.HELLGRAU	M32 screw plug with metric thread, gray	
132722	KV.M25.FLACHDICHTUNG.30X23X1,2MM	Flat gasket M25 neoprene black inside 23 mm, outside 30 mm, material thickness 1.2 mm	
133354	KV.M32.FLACHDICHTUNG.30X40X1,5MM	Flat gasket M32 neoprene black inside 30 mm, outside 40 mm, material thickness 1.5 mm	

07/2021/1.0



**MASSO 3000.2**



Micro subfloor distributor  
(Leveling feet optionally available)  
Application

Indoor use

**Technical data**

Outer dimensions (L x W x H)	170x170x142 mm
Installation height with leveling feet	145 mm
Installation height with threaded pin extension	145* - 245 mm
Material	aluminium untreated (salt and seawater resistant)
Color acc. to description	alu colored anodized
Maximum static load according to EN 50085	40kN

**Features**

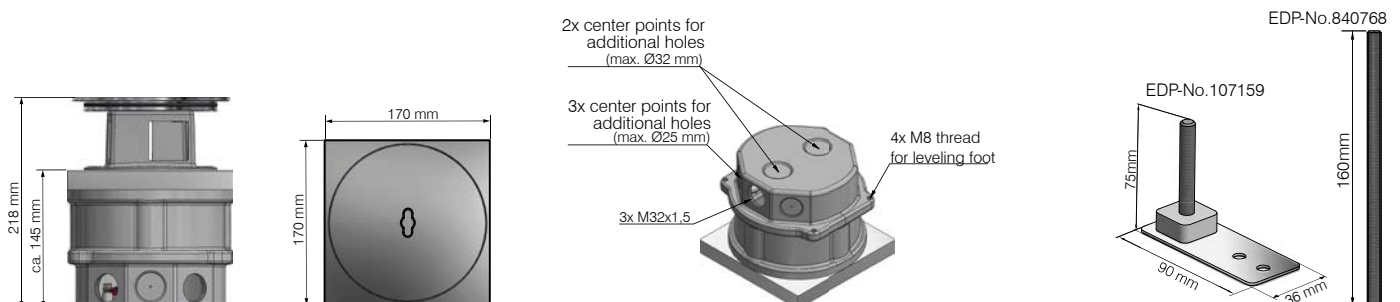
- Micro subfloor distributor to be installed at floor level
- Equipment: see article numbers
- When closed:
  - IP67
  - can be travelled over
- When opened:
  - up to IP20
  - step-resistant

EDP No.	EDP No. F&B	Product-ID-No. / Description
840919		MASSO.3000.2-1EG / Micro subfloor, 170x170x148 mm, <b>alu colored anodized</b> , closed IP67, incl. key
840921	840923	MASSO.3000.2-2EG.4X309 / Micro subfloor, 170x170x148 mm, <b>alu colored anodized</b> , closed IP67, floor level, 4xSchuko 230V 16A
840924	840926	MASSO.3000.2-2EG.3X309.2XRJ45 / Micro subfloor, 170x170x148 mm, <b>alu colored anodized</b> , closed IP67, floor level, 3xSchuko 230V 16A, 2xRJ45
840928	840930	MASSO.3000.2-2EG.2X309.2XRJ45.TV-R-SAT / Micro subfloor, 170x170x148 mm, <b>alu colored anodized</b> , closed IP67, floor level, 2xSchuko 230V 16A, 2xRJ45,TV-R-SAT

Accessories		Installation height
107159	FONTO.MASSO.NIVELLIER-SCHRAUBE.SENKVERTEILER / Leveling screw: consisting of: 1xbase plate + 1xleveling pin M8x60	145 mm
Options		
840768	M8.160.A2.DIN976-1 / Threaded rod M8 x 160 mm suitable for base plate 107159	145* - 242 mm

Inserts modul on request.

\* Shorten the setscrew as required



Leveling feet are only used to set up the floor socket. Loading class / stability is only achieved by backfilling the floor socket with solid material (mortar, concrete ...).

CE

## MASSO 4000



Floor level – Indoor use   
 MASSO 4000.2 on request

Micro subfloor distributor  
(Leveling feet optionally available)  
Application

Outdoor use

### Technical data

Outer dimensions (L x W x H)	170 x 170 x 190 mm
Installation height with leveling feet	190 mm
Installation height with threaded pin extension	190* - 290 mm
Material	aluminium untreated (salt and seawater resistant)
Color	alu colored anodized
Maximum static load according to EN 50085	40kN

EDP No.	EDP No. F&B	Product-ID-No. / Description
840949	840951	MASSO.4000-2EG.4X309 / Micro subfloor distributor, 170 x 170 x 190 mm, <b>alu colored anodized</b> , closed IP67, 4x Schuko 230V 16A
840953	840955	MASSO.4000-2EG.3X309.2XRJ45 / Micro subfloor distributor, 170 x 170 x 190 mm, <b>alu colored anodized</b> , closed IP67, 3x Schuko 230V 16A, 2x RJ45
840956	840958	MASSO.4000-2EG.DL.3X309 / Micro subfloor distributor, 170 x 170 x 190 mm, <b>alu colored anodized</b> , closed IP67, compressed air DN7.2, 3x Schuko 230V 16A

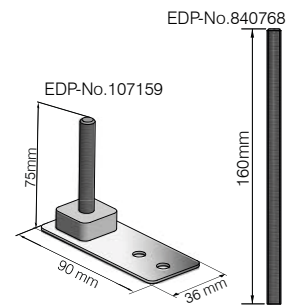
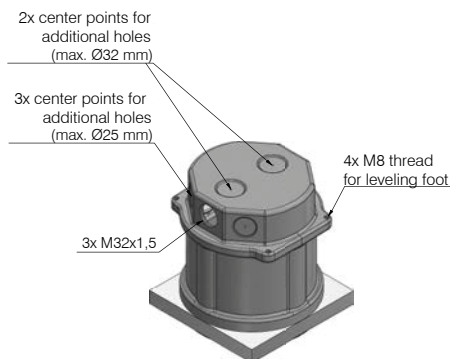
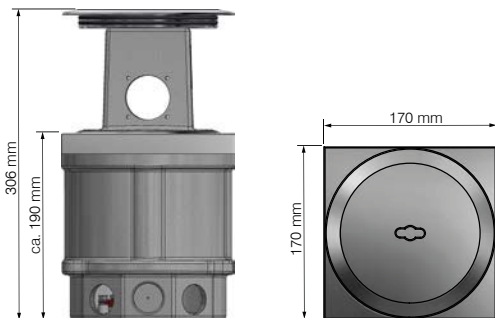
### Features

- Nearly micro subfloor distributor to be installed at floor level
- Equipment: see article numbers
- When closed:
  - IP67
  - can be travelled over
- When opened:
  - up to IP54 (depending on the equipment variant)
  - step-resistant

Accessories		Installation height
107159	FONTO.MASSO.NIVELLIER-SCHRAUBE.SENKVERTEILER / Leveling screw: consisting of: 1x base plate + 1x leveling pin M8 x 60	190 mm
Option		
840768	M8.160.A2.DIN976-1 / Threaded rod M8 x 160 mm suitable for base plate 107159	190* - 290 mm

Other equipment options on request.

\* Shorten the setscrew as required



Leveling feet are only used to set up the floor socket. Loading class / stability is only achieved by backfilling the floor socket with solid material (mortar, concrete ...).


CE

07/2021/1.0




**MASSO 4010**



Floor level – Indoor use   
MASSO 4010.2 on request

Micro subfloor distributor  
(Leveling feet optionally available)  
Application

Outdoor use 

**Technical data**

Outer dimensions (L x W x H)	170x170x190 mm
Installation height with leveling feet	190 mm
Installation height with threaded pin extension	190* - 290 mm
Material	aluminium untreated (salt and seawater resistant)
Color	alu colored anodized
Maximum static load according to EN 50085	40kN

**Features**

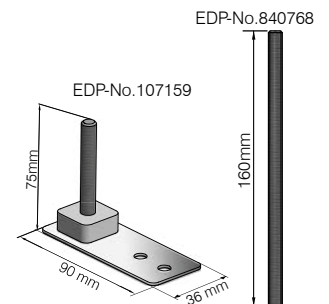
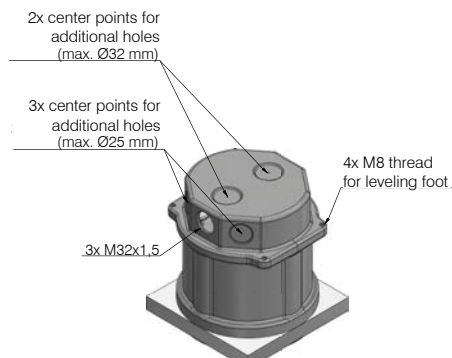
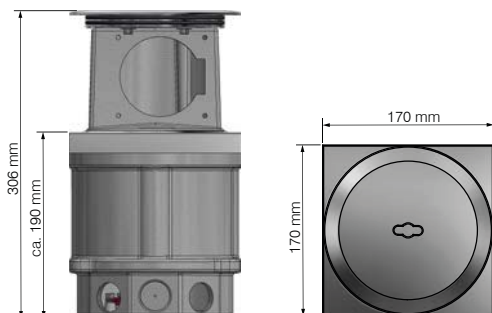
- Nearly micro subfloor distributor to be installed at floor level
- Equipment: see article numbers
- When closed:
  - IP67
  - can be travelled over
- When opened:
  - up to IP54 (depending on the equipment variant)
  - step-resistant

EDP No.	Product-ID-No. / Description
840931	MASSO.4010-2EG.301659 / Micro subfloor distributor, 170x170x190 mm, <b>alu colored anodized</b> , closed IP67, 1xCEE 400V 16A
840932	MASSO.4010-2EG.303259 / Micro subfloor distributor, 170x170x190 mm, <b>alu colored anodized</b> , closed IP67, 1xCEE 400V 32A

Accessories		Installation height
107159	FONTO.MASSO.NIVELLIERSCHRAUBE. SENKVERTEILER / Leveling screw: consisting of: 1x base plate + 1x leveling pin M8x60	190 mm
Option		
840768	M8.160.A2.DIN976-1 / Threaded rod M8 x 160 mm suitable for base plate 107159	190* - 290 mm

Other equipment options on request.

\* Shorten the setscrew as required



Leveling feet are only used to set up the floor socket. Loading class / stability is only achieved by backfilling the floor socket with solid material (mortar, concrete ...).



## MASSO 8000



Micro subfloor distributor  
(Leveling feet optionally available)  
Application

### Technical data

Outer dimensions (L x W x H)	255 x 170 x 170 mm
Installation height with leveling feet	255 mm
Installation height with threaded pin extension	255* - 355 mm
Material	aluminium untreated (salt and seawater resistant)
Color	alu colored anodized
Maximum static load according to EN 50085	40kN

### Features

- Nearly micro subfloor distributor to be installed at floor level
- Equipment: see article numbers
- When closed:
  - IP67
  - can be travelled over
- When opened:
  - up to IP54 (depending on the equipment variant)
  - step-resistant



Floor level – Indoor use   
MASSO.8000.2 on request

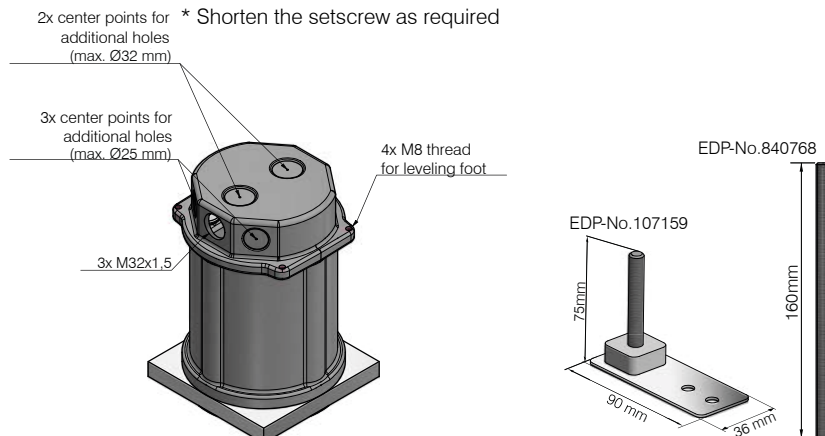
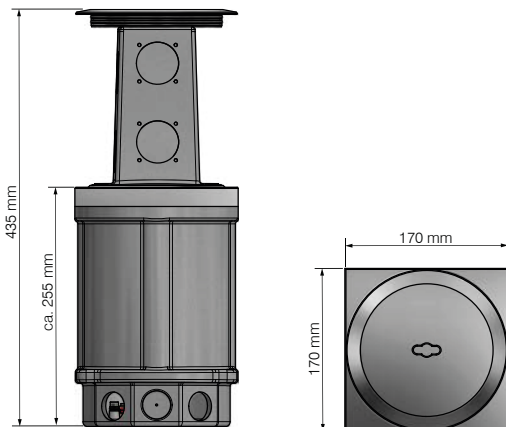
Outdoor use

EDP No.	EDP No. F&B	Product-ID-No. / Description
840940	840942	MASSO.8000-2EG.6X309 / Micro subfloor distributor, 170 x 170 x 255 mm, <b>alu colored anodized</b> , closed IP67, 6x Schuko 230V 16A
840946	840948	MASSO.8000-2EG.DL.5X309 / Micro subfloor distributor, 170 x 170 x 255 mm, <b>alu colored anodized</b> , closed IP67, compressed air DN7.2, 5x Schuko 230V 16A
840943	840945	MASSO.8000-2EG.5X309.2XRJ45 / Micro subfloor distributor, 170 x 170 x 255 mm, <b>alu colored anodized</b> , closed IP67, 5x Schuko 230V 16A, 2x RJ45
<b>with RCBO</b>		
840959	840961	MASSO.8000-2EG.FILS.0,03.3X309 / Micro subfloor distributor, 170 x 170 x 255 mm, <b>alu colored anodized</b> , closed IP67, RCBO/0,03/16A, 3x Schuko 230V 16A

Accessories		Installation height
107159	FONTO.MASSO.NIVELLIERSCRAU-BE.SENKVERTEILER / Leveling screw: consisting of: 1x base plate + 1x leveling pin M8x60	255 mm
<b>Options</b>		
840768	M8.160.A2.DIN976-1 / Threaded rod M8 x 160 mm suitable for base plate 107159	255* - 355 mm

Other equipment options on request.

\* Shorten the setscrew as required



Leveling feet are only used to set up the floor socket. Loading class / stability is only achieved by backfilling the floor socket with solid material (mortar, concrete ...).

CE

07/2021/1.0

**MASSO 8010**



Floor level – Indoor use   
 MASSO.8010.2 on request

Micro subfloor distributor  
(Leveling feet optionally available)  
Application

Outdoor use

**Technical data**

Outer dimensions (L x W x H) 255 x 170 x 170 mm  
 Installation height with leveling feet 255 mm  
 Installation height with threaded pin extension 255\* - 355 mm  
 Material aluminium untreated (salt and seawater resistant)  
 Color alu colored anodized  
 Maximum static load according to EN 50085 40kN

**Features**

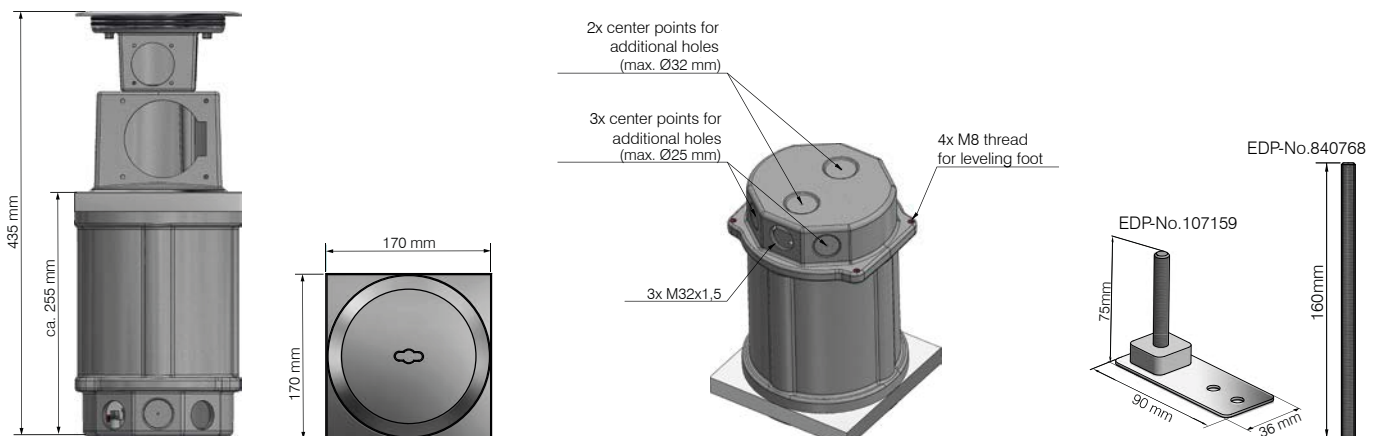
- Nearly micro subfloor distributor to be installed at floor level
- Equipment: see article numbers
- When closed:
  - IP67
  - can be travelled over
- When opened :
- up to IP54 (depending on the equipment variant)
- step-resistant

EDP No.	EDP No. F&B	Product-ID-No. / Description
840933	840920	MASSO.8010-2EG.301659.3X309 / Micro subfloor distributor, 170x170x255 mm, <b>alu colored anodized</b> , closed IP67, 1x CEE 400V16A, 3x Schuko 230V 16A
840902	840939	MASSO.8010-2EG.DL.301659.2X309 / Micro subfloor distributor, 170x170x255 mm, <b>alu colored anodized</b> , closed IP67, compressed air DN7.2, 1x CEE 400V 16A, 2x Schuko 230V 16A
840935	840937	MASSO.8010-2EG.301659.2X309.2XRJ45 / Micro subfloor distributor, 170x170x255 mm, <b>alu colored anodized</b> , closed IP67, 1x CEE 400V 16A, 2x Schuko 230V 16A, 2x RJ45

Accessories		Installation height
107159	FONTO.MASSO.NIVELLIERSCHRAUBE.SENKVERTEILER / Leveling screw: consisting of: 1x base plate + 1x leveling pin M8x60	255 mm
Options		
840768	M8.160.A2.DIN976-1 / Threaded rod M8 x 160 mm suitable for base plate 107159	255* - 355 mm

Other equipment options on request.

\* Shorten the setscrew as required

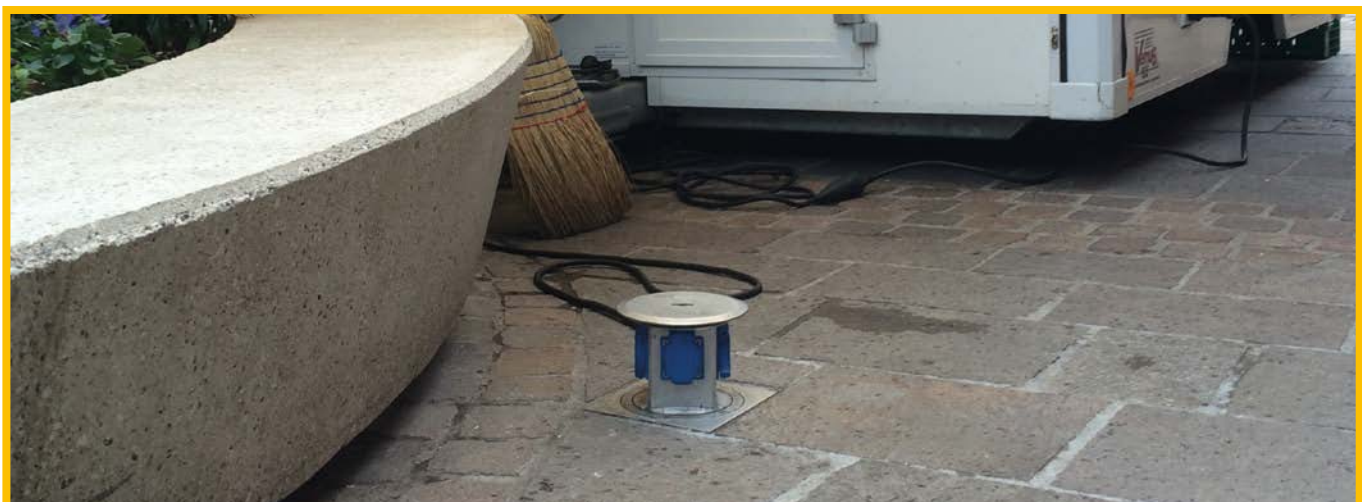


Leveling feet are only used to set up the floor socket. Loading class / stability is only achieved by backfilling the floor socket with solid material (mortar, concrete ...).





## MASSO Application examples





MASSO Application examples





# CONTACT US



**GIFAS**  
ELECTRIC

GIFAS ELECTRIC  
Gesellschaft m.b.H.  
Strass 2  
5301 Eugendorf  
AUSTRIA

🌐 [www.gifas.at](http://www.gifas.at)  
✉ [verkauf@gifas.at](mailto:verkauf@gifas.at)  
☎ +43 6225 / 7191 - 0  
📠 +43 6225 / 7191 - 561  
☎ +49 8654 404 2000