

SYSTEMATIC QUALITY



# Underground distributors



## PIAZZA

Pages 4 - 21

PIAZZA 1000



Pages 6 - 9

PIAZZA 700



Pages 10 - 13

PIAZZA 720M



Pages 14 - 17

PIAZZA 540



Pages 18 - 21

## PICCOLINO

Pages 24 - 25

PICCOLINO 200

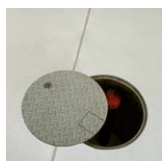


Pages 24 - 25

## ROTRANT

Pages 26 - 27

ROTRANT



Pages 26 - 27

## VESUVIO

Pages 28 - 31

VESUVIO



Pages 28 - 31

Load class/ max. loading capacity	Model Cover	Cover depth	Cover dimensions	Cover heating	Material
<b>PIAZZA 1000</b>					
D 400kN	individually fillable	70 mm	1000 x 1000 mm	self-regulating	stainless steel
<b>PIAZZA 700</b>					
D 400kN	individually fillable	70 mm	700 x 700 mm	self-regulating	stainless steel
<b>PIAZZA 720M</b>					
C 250kN	individually fillable	50 mm	720 x 720 mm	self-regulating	stainless steel
<b>PIAZZA 540</b>					
D 400kN	individually fillable	50 mm	540 x 540 mm	self-regulating	stainless steel

<b>PICCOLINO 200</b>					
C 250kN	Stud-plate or fillable	20 mm	200 x 200 mm	-	stainless steel

<b>ROTRANT</b>					
B 125kN	stud plate	-	Ø 324 x 490 mm	-	stainless steel

<b>VESUVIO</b>					
D 400kN	cast cover	-	Ø 670 mm	-	cast steel

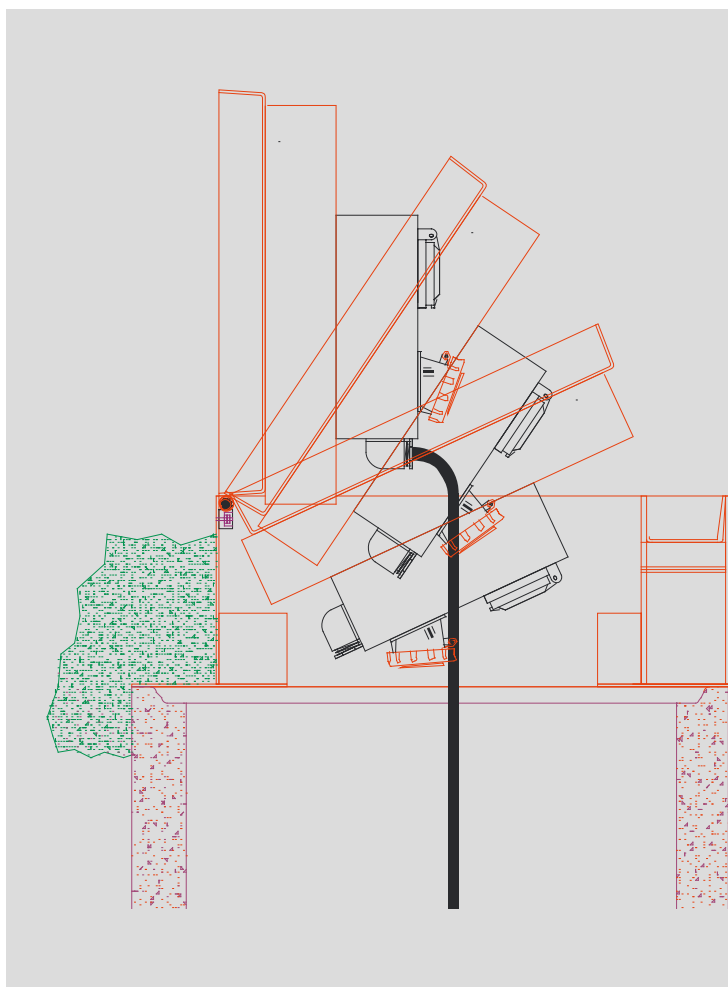
## Areas of application:

- Squares
- Event halls
- Industrial halls
- Courtyards
- Pedestrian zones
- Parking areas
- Hangars
- etc.

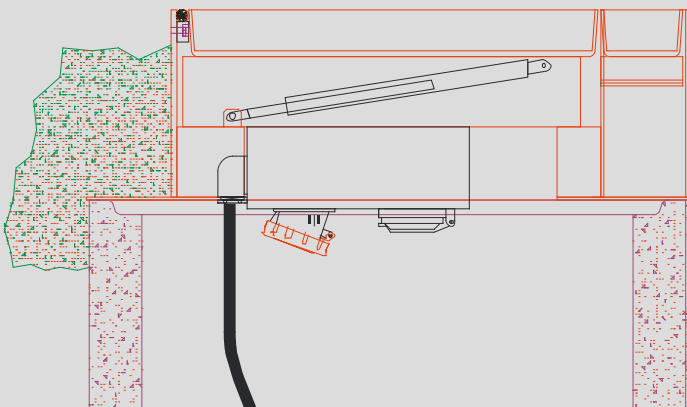
Quite simply in all locations where energy is distributed according to demand and needs to be easily channeled underground.

## Properties:

- Robust, safe and easy to use.
- The GIFAS solid rubber distributor guarantees the utmost safety in operation.
- No problems with condensation.
- Resistant to environmental impact.
- The rubber material used is resistant to ageing and therefore has an extremely long serviceable life.



- Cover and frame made of stainless steel.
- Cover fillable individually and therefore can be ideally adjusted for the respective environment.
- For power supply, waste water and fresh water connections.
- Load class D 400 kN.  
(the model 720M = Load class C 250kN)
- Cable- and tube outlet insert.
- Easy and very quick opening and closing are assisted by two gas springs.
- A self-regulating heating band has been laid within the shaft cover in order to ensure that opening is possible even at freezing temperatures.
- Accessible and trafficable even during operation.
- GIFAS solid rubber distributor: equipped individually in line with your individual requirements, technical data and electrical regulations.
- High levels of operational safety due to reclosing after start-up. This means optimum safety for both pedestrians and stationary or moving traffic, as well as protection against unauthorised access.





Solid stainless steel construction, 1000 x 1000 mm, max. load D 400 kN, gas-spring-assisted opening, shaft cover can be individually filled (depth of the tank 70 mm), distributor in line with customer requirements.



Fischbrunnensquare in Eggenfelden

EDP No. 83470

### Scope of delivery

The stainless steel construction with fillable shaft cover is delivered already installed on a DN1000 concrete shaft with a height of 600 mm, ready-to-connect and together with a main distributor and terminal distributor.

### Technical Information

- The shaft cover is locked using two sunk, lid-level, rust-proof M10 socket screws (closing tool is included in the scope of delivery)
- There is a cable outlet insert integrated within the shaft cover Cable outlet dimensions: 130 x 100 mm.
- The cover trough, with a depth of 70 mm, can be filled individually.
- There is a self-regulating heating tape installed within the shaft cover in order to ensure smooth opening even in freezing temperatures.

### Work that needs to be executed by the customer

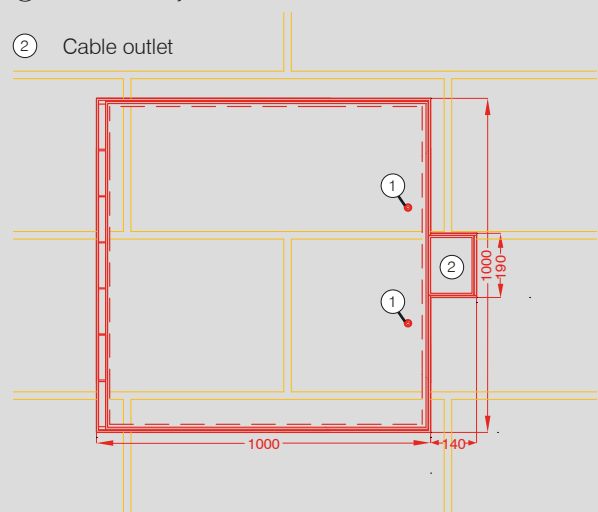
- The shaft lid structure is not water-tight in the event of surface water. Sufficient drainage must therefore be ensured by the customer.
- The necessary ground excavation.
- Installation of the construction in accordance with underlying technical standards.
- Filling of cover tray.
- Electrical connections must be implemented by a licensed electrical company.

**Our strength is in customized solutions!**

**Design the optimum solution for your requirements with our engineers.**

① Cover lock system

② Cable outlet





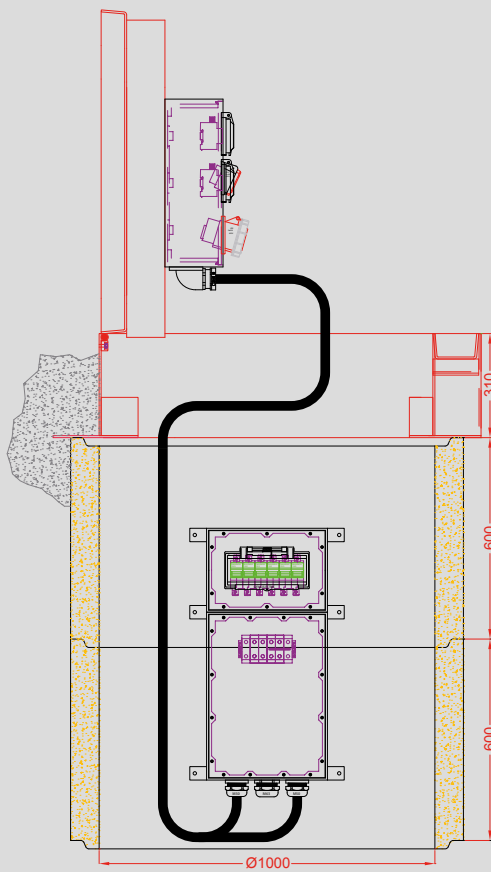
New place in Klagenfurt

EDP No. 82785

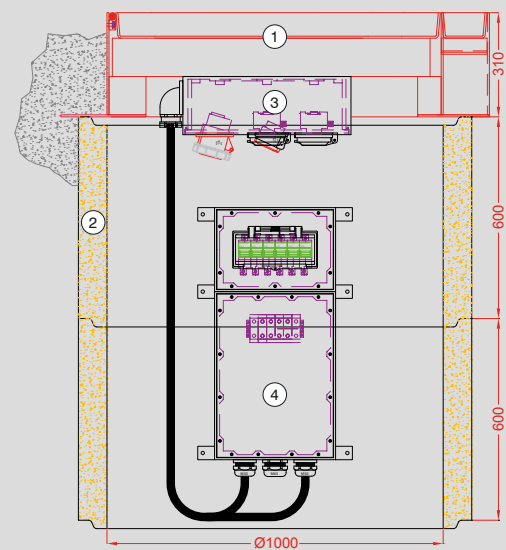


Kaiser Franz Josef monument - main square Graz

EDP No. 70071



- ① Stainless steel construction, depth of the tank 70 mm
- ② Concrete shaft DN1000 mm H=600 mm
- ③ Main junction box
- ④ Terminal box



An adequate, compliant foundation, the proper mounting of the shaft (D 400kN load) and adequate drainage must be ensured by the customer.

## Main distributor:

- The cabinet made of vulcanized self-extinguishing butyl rubber guarantees the utmost safety in operation.
- The excellent insulating properties prevent any temperature-based accumulation of condensed water.
- The rubber material is resistant to environmental impact and is resistant to ageing and is therefore extremely long-lasting.
- Fuses are installed under two shock-resistant folding makrolon covers, where they are splash-resistant.
- The 4 wall fittings are sealed off from the rest of the wiring area and guarantee full protective insulation.
- GIFAS solid rubber distributor: individual assembly in line with the customer's individual Requirements, technical data and regulations.

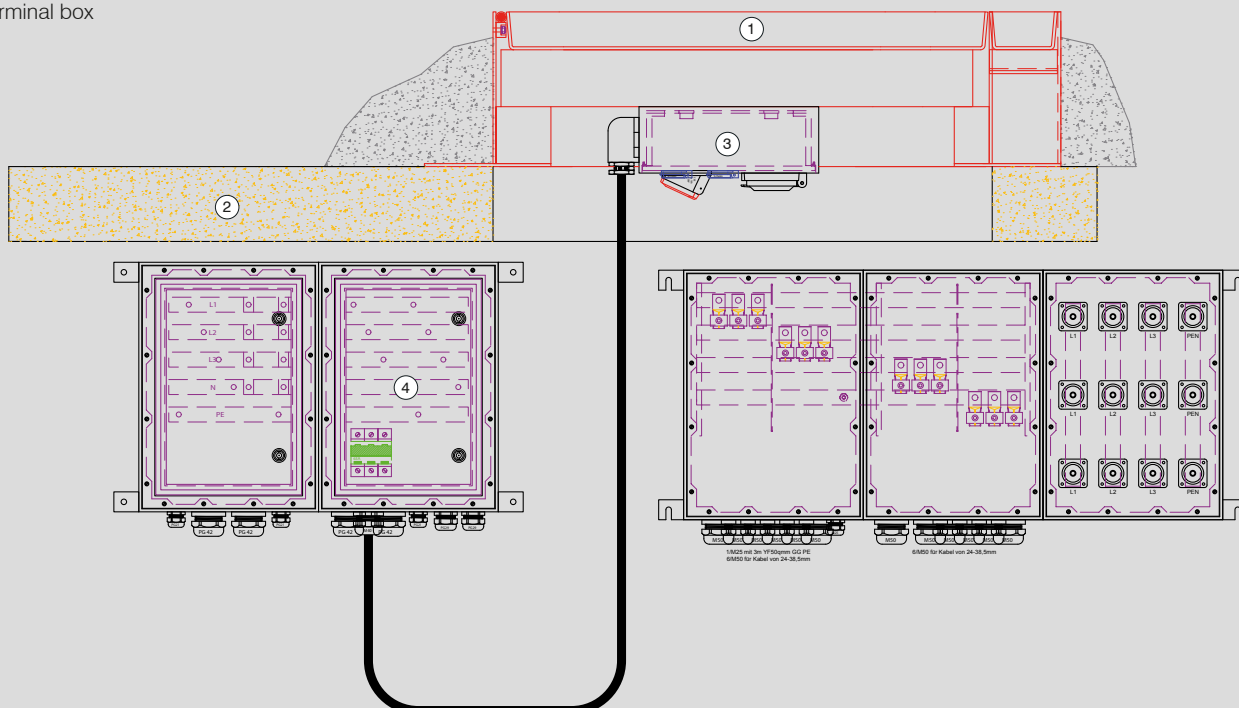


Fischbrunnensquare in Eggenfelden

EDP No. 83470

## Special models

- ① Stainless steel construction, depth of the tank 70 mm
- ② Flat cover D 400kN (to be provided by the customer)
- ③ Main junction box
- ④ Terminal box





**Terminal distributor:**

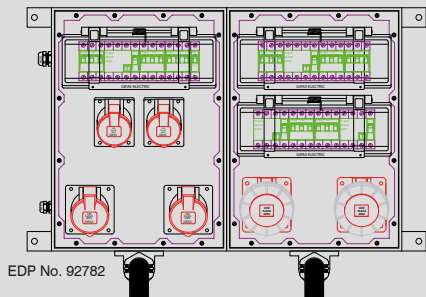
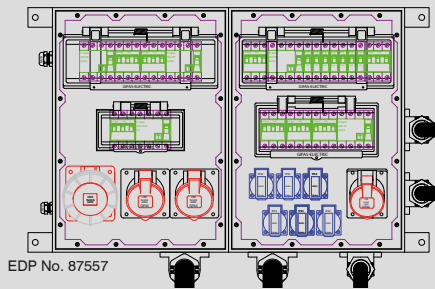
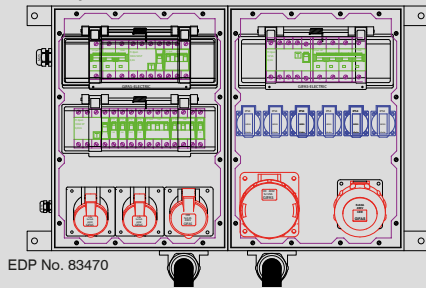
- Different cabinet sizes are available, and the choice depends on the connected load required.
- Aluminium bars affixed to the aluminium rails enable quick and easy installation on the concrete sleeve.



Junkers-Schlössle Götzis

EDP No. 73265

**Equipment examples**



Solid stainless steel construction 700 x 700 mm, max. load D 400 kN, gas-spring-assisted opening, shaft cover can be individually filled (depth of the tank 70 mm), distributor in line with customer requirements.



The town of Naarn in Marchland

EDP No. 89376

### Scope of delivery

The stainless steel construction with fillable shaft cover is delivered with a main distributor and terminal distributor, assembled onto a DN800 concrete shaft with a height of 600 mm.

### Technical Information

- The lid is locked using a sunk, lid-level stainless steel 10M socket screw (the closing tool is included in the scope of delivery).
- Within the shaft cover there is an integrated, fillable cable outlet insert part (dimensions cable outlet: 130 x 100 mm).
- The cover trough, with a depth of 70 mm, can be filled individually.
- There is a self-regulating heating band installed within the shaft cover, guaranteeing easy opening even in freezing temperatures.

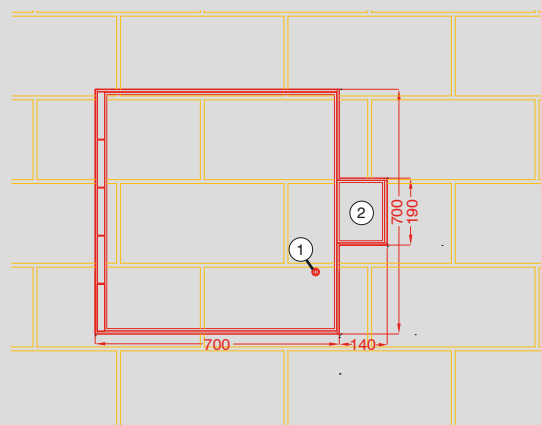
### Work to be executed by the customer

- The shaft lid structure is not water-tight in the event of surface water. Sufficient drainage must therefore be ensured by the customer.
- The necessary ground excavation.
- Installation of the construction in accordance with underlying technical and legal standards.
- Filling of cover tray
- Electrical connections must be implemented by a licensed electrical company.

**Our strength is in customised solutions!**

**Design the optimum solution for your requirements with our engineers.**

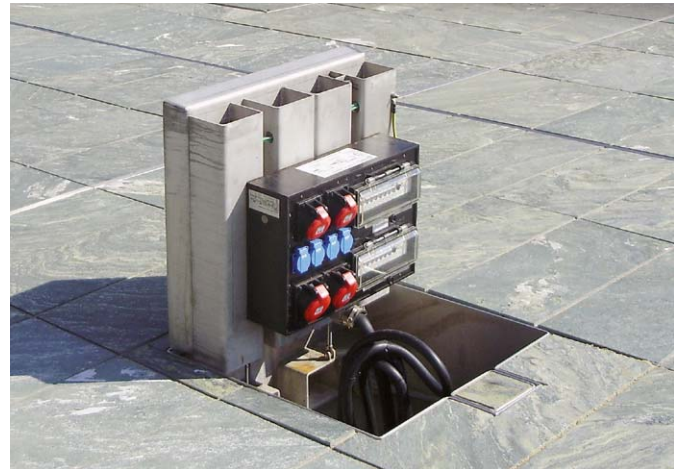
- ① Cover lock system
- ② Cable outlet





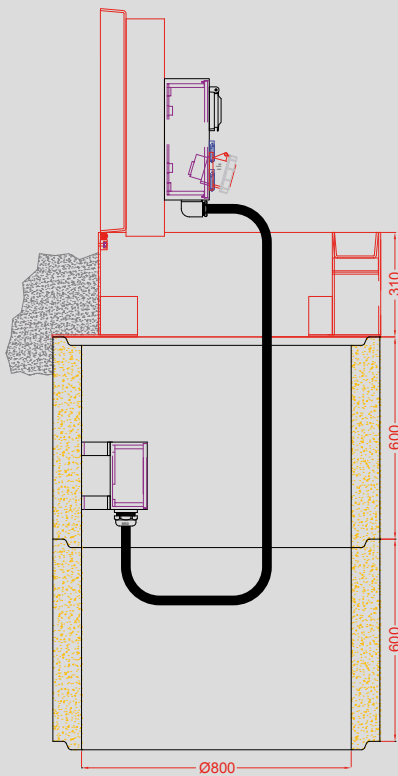
Forecourt, Europark Salzburg

EDP No. 73486

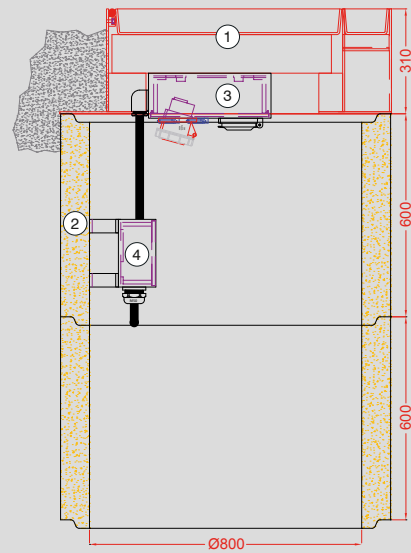


Main square, Leobersdorf

EDP No. 85829



- ① Stainless steel construction, depth of the tank 70 mm
- ② Concrete shaft DN800 mm H=600 mm
- ③ Main junction box
- ④ Terminal box



An adequate, compliant foundation, the proper mounting of the shaft (D 400kN load) and adequate drainage must be ensured by the customer.



## Main distributor:

- The cabinet made of vulcanized self-extinguishing butyl rubber guarantees the utmost safety in operation.
- The excellent insulating properties prevent any temperature-based accumulation of condensed water.
- The rubber material is resistant to environmental impact and is resistant to ageing and is therefore extremely long-lasting.
- The fuse material is installed under two shock-resistant folding makrolon covers, where they are splash-proof.
- The 4 wall fittings are sealed off from the rest of the wiring area and guarantee full protective insulation.
- GIFAS solid rubber distributor: individual assembly in line with your individual requirements and taking the technical standards into consideration.

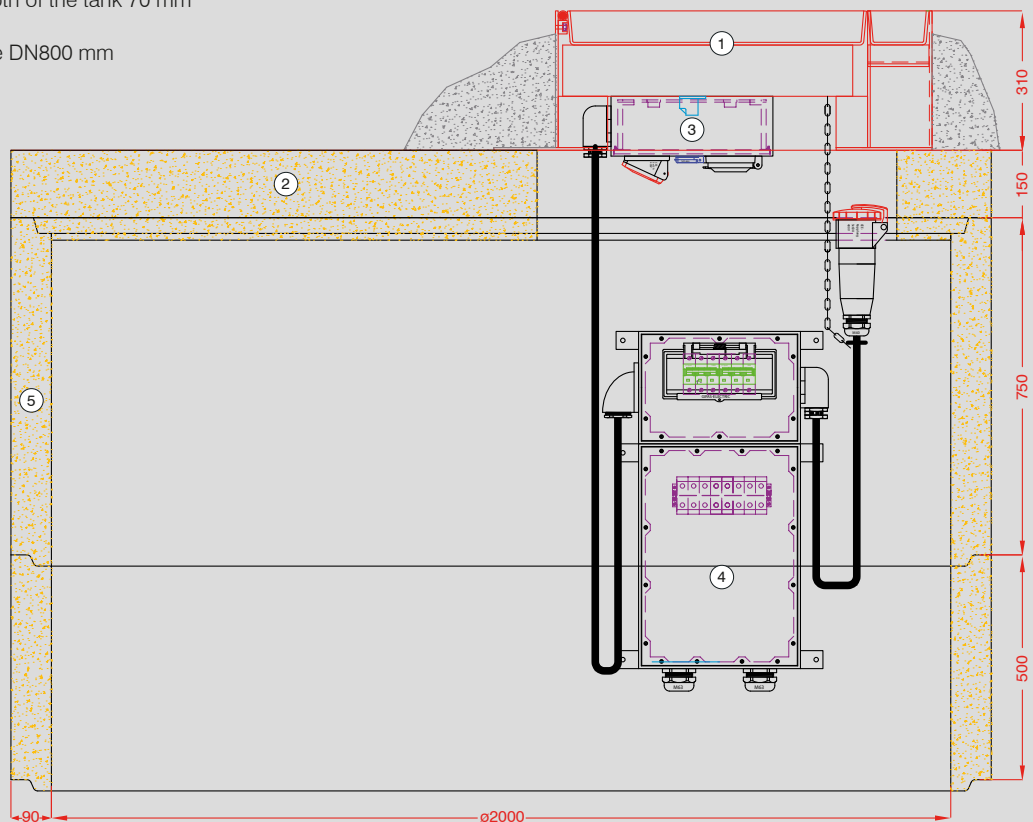


Waldkraiburg

EDP No. 86906

## Special models

- ① Stainless steel construction, depth of the tank 70 mm
- ② Flat cover DN2000 with manhole DN800 mm
- ③ Main junction box
- ④ Terminal box
- ⑤ Concrete shaft DN2000



An adequate, compliant foundation, the proper mounting of the shaft (D 400kN load) and adequate drainage must be ensured by the customer.

**Terminal distributor:**

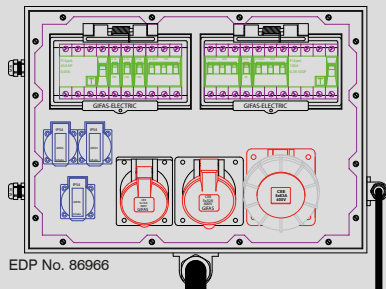
- Different sizes are available according to your individual clamping requirements.
- Aluminium bars affixed to the aluminium rails enable quick and easy installation on the concrete sleeve.



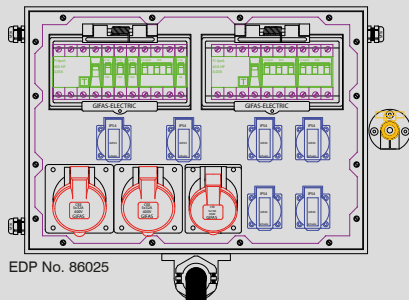
Exhibition centre Salzburg

EDP No. 81064

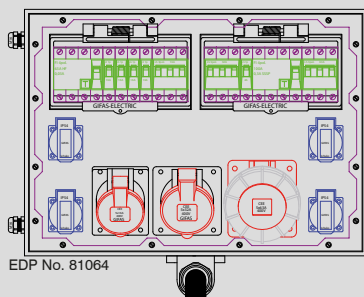
**Equipment examples**



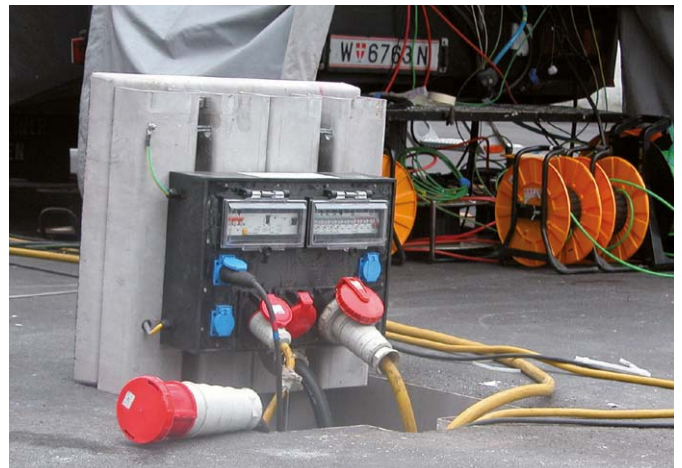
EDP No. 86966



EDP No. 86025



EDP No. 81064





Solid stainless steel construction 720 x 720 mm, max. load C 250kN, gas-spring-assisted opening, shaft cover can be individually filled (depth of the tank 50 mm), distributor in line with customer requirements.



EDP No.109536

### Scope of delivery

The stainless steel construction with fillable shaft cover is delivered with a main distributor and terminal distributor, assembled onto a DN600 concrete shaft with a height of 500 mm.

### Technical Information

- Closing shaft cover is made by a countersunk, even with the cover hex screw stainless M10 (closing tool is included in the scope of supply).
- Within the shaft cover there are two cable exit insert parts integrated. (Surface: Stainless steel) . Dimension cable exit 80 x 60 mm.
- The cover trough with a depth of 50 mm can be filled individually.
- In the shaft cover there is a self-regulating heating band integrated in order to enable an easy opening also in case of frosting.

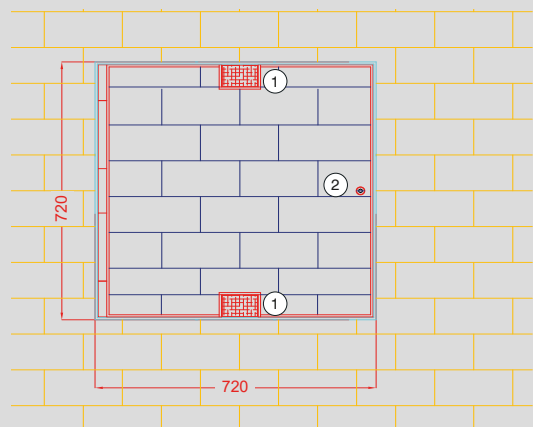
### Work to be executed by the customer

- The shaft lid structure is not water-tight in the event of surface water. Sufficient drainage must therefore be ensured by the customer.
- The necessary ground excavation.
- Installation of the construction in accordance with underlying technical and legal standards.
- Filling of cover tray
- Electrical connections must be implemented by a licensed electrical company.

**Our strength is in customised solutions!**

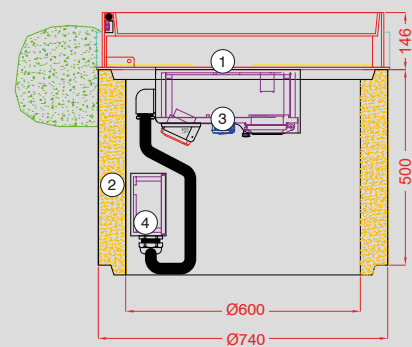
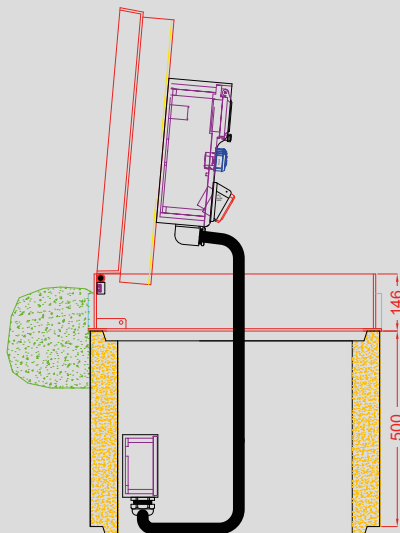
**Design the optimum solution for your requirements with our engineers.**

- ① Cable outlet
- ② Cover lock system





- ① Stainless steel construction, depth of the tank 50 mm
- ② Concrete shaft DN600 mm H=500 mm
- ③ Main junction box
- ④ Terminal box



An adequate, compliant foundation, the proper mounting of the shaft (C 250kN load) and adequate drainage must be ensured by the customer.

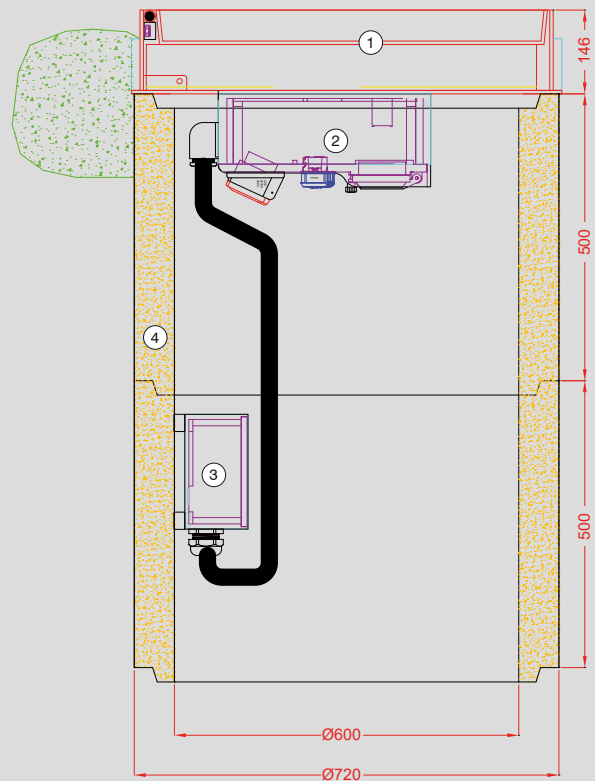
## Main junction box

- The body made of vulcanised self extinguishing butyl rubber ensures the utmost security and safety standard.
- The extraordinary insulating properties prevent a temperature based accumulation of condensed water.
- The special rubber composition is resistant against environmental impacts and because of its freedom of aging influences extremely long-living.
- Fuses are put under two shock resistant folding makrolon covers with splashed water protection.
- The 4 wall fittings are insulated against the clamping area and maintain a maximum protection (protective insulation).
- Individual assembly according to your demand, technical surrounding and under consideration of laws and norms.



## Special models

- ① Stainless steel construction, depth of the tank 50 mm
- ② Main junction box
- ③ Terminal box
- ④ Concrete shaft DN600



An adequate, compliant foundation, the proper mounting of the shaft (D 400kN load) and adequate drainage must be ensured by the customer.

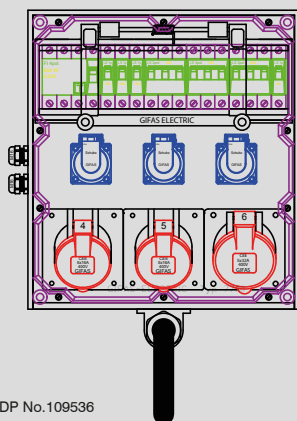


**Terminal distributor**

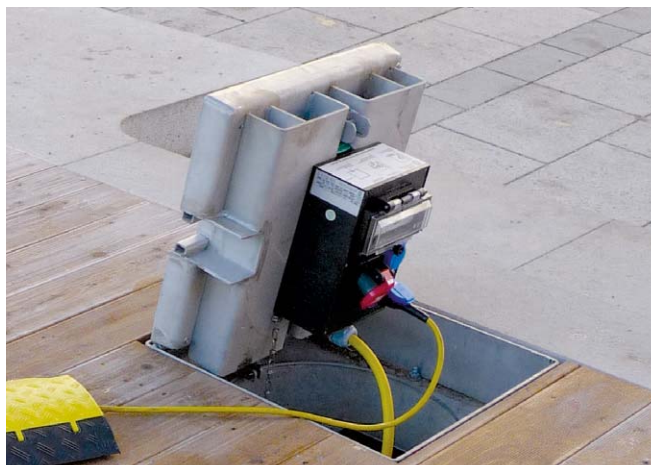
- Different cabinet sizes are available, and the choice depends on the connected load required.
- Aluminium bars affixed to the aluminium rails enable quick and easy installation on the concrete shaft.



**Equipment examples**



Solid stainless steel construction 540 x 540 mm, max. load D 400kN, gas-spring-assisted opening, shaft cover can be individually filled (depth of the tank 50 mm), distributor in line with customer requirements.



Market town Neumarkt, in Mühlkreis

EDP No. 71286

### Scope of delivery

The stainless steel construction with fillable shaft cover is delivered already installed on a DN450 concrete shaft with a height of 570 mm, ready-to-connect and together with a main distributor and clamp distributor terminal distributor.

### Technical Information

- The shaft cover is locked using two sunk, lid-level, rust-proof M10 socket screws (closing tool is included in the scope of delivery).
- There is a cable outlet insert integrated within the shaft cover, Cable outlet dimensions: 60 x 40 mm.
- The cover trough, with a depth of 50 mm, can be filled individually.
- A self-regulating heating band has been laid within the shaft cover in order to ensure that opening is possible even at freezing temperatures.

### Work to be completed by the customer

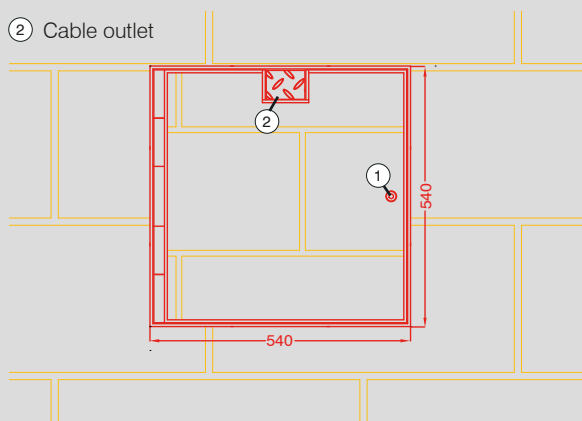
- The shaft lid structure is not water-tight in the event of surface water. Sufficient drainage must therefore be ensured by the customer.
- The necessary ground excavation.
- Installation of the construction in accordance with underlying technical and legal standards.
- Filling of cover tray.
- Electrical connections must be implemented by a licensed electrical company.

**Our strength is in customised solutions!**

**Design the optimum solution for your requirements with our engineers.**

① Cover lock system

② Cable outlet

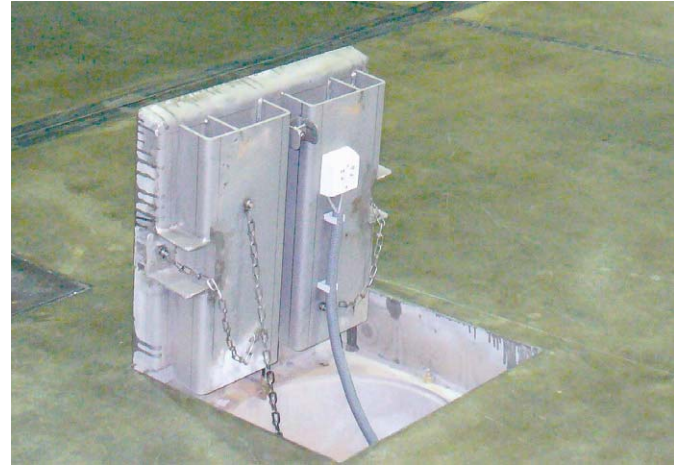






Market town Schneegattern

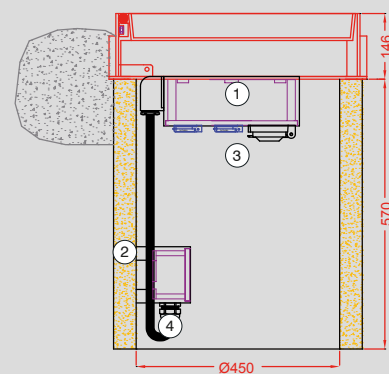
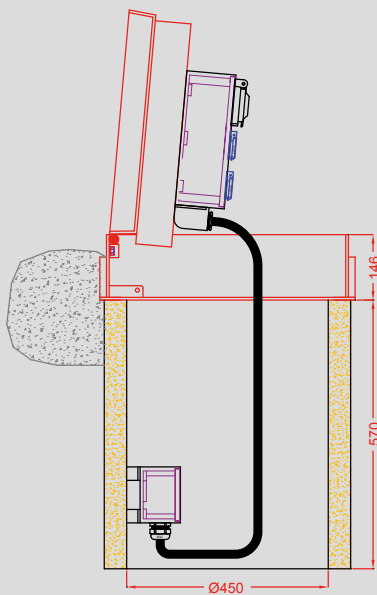
EDP No. 89115



EVG Raaba

EDP No. 80696

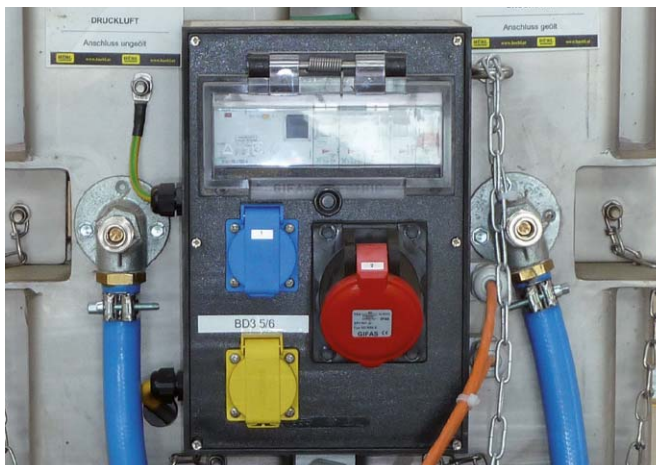
- ① Stainless steel construction, depth of the tank 50mm
- ② Concrete shaft DN450 mm H=570 mm
- ③ Main junction box
- ④ Terminal box



An adequate, compliant foundation, the proper mounting of the shaft (D 400kN load) and adequate drainage must be ensured by the customer.

## Main distributor:

- The cabinet made of vulcanized self-extinguishing butyl rubber guarantees the utmost safety in operation.
- The rubber material is resistant to environmental impact and is resistant to ageing and is therefore extremely long-lasting.
- The special rubber composition is resistant against environmental impacts and because of its freedom of aging influences extremely long living.
- The fuse material is installed under two shock-resistant folding makrolon covers, where they are splash-proof.
- The 4 wall fittings are sealed off from the rest of the wiring area and guarantee full protective insulation.
- GIFAS solid rubber distributor: individual assembly in line with your individual requirements and taking into consideration the technical standards.

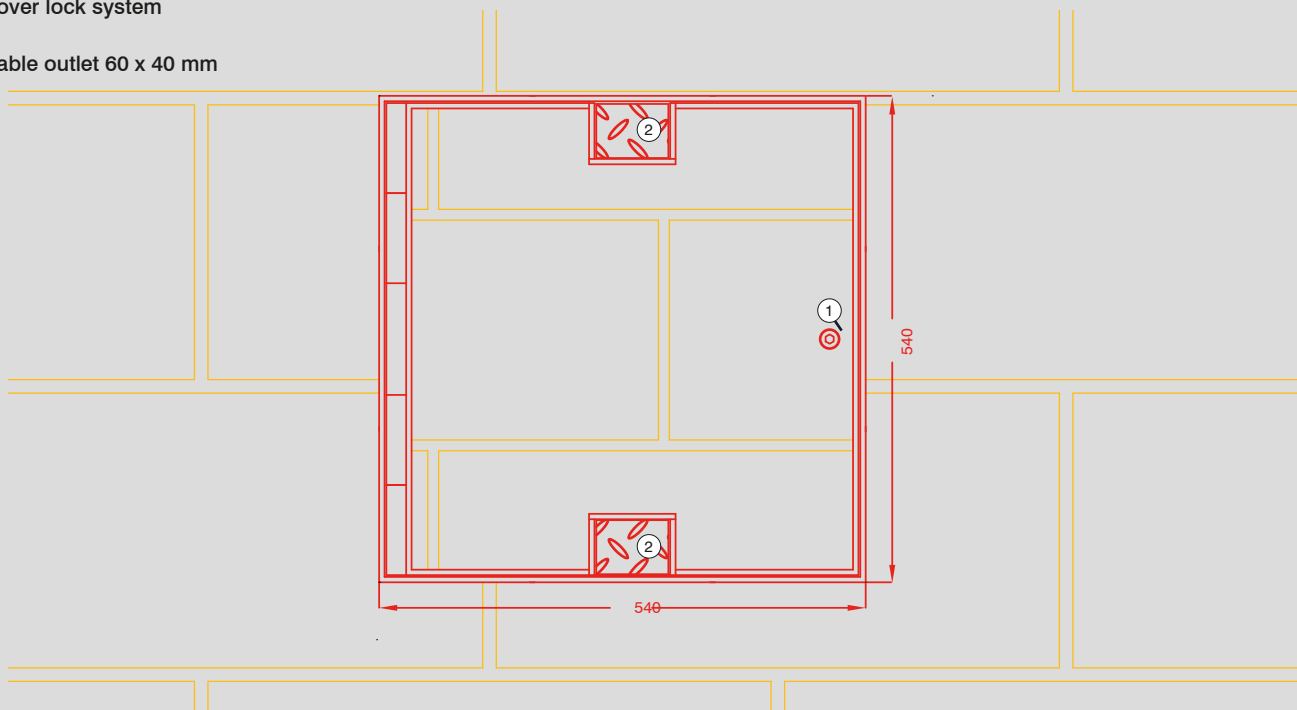


GKB Graz

EDP No. 92668

## Special models

- ① Cover lock system
- ② Cable outlet 60 x 40 mm



**Clamping box:**

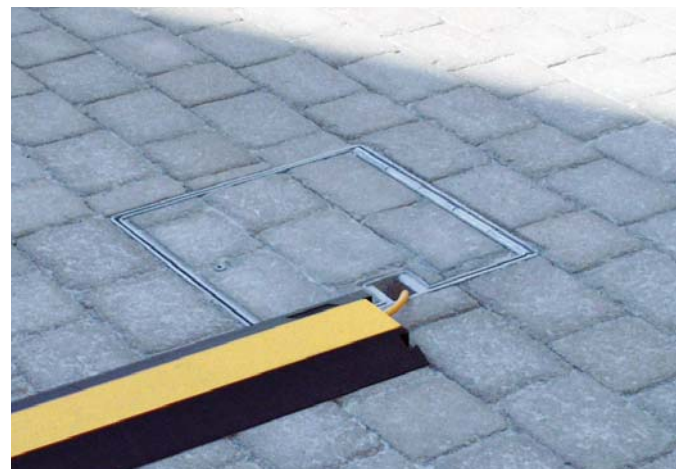
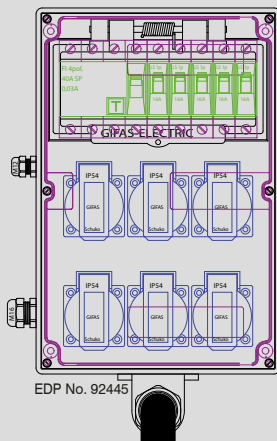
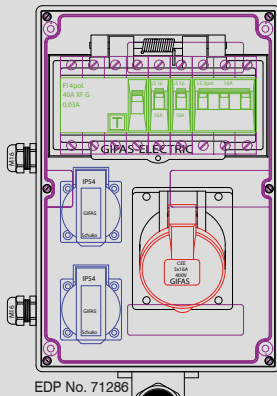
- Different sizes available according to your individual clamping requirements.
- Aluminium bars affixed to the aluminium rails enable quick and easy installation on the concrete sleeve.



Church Square in Pocking

EDP No. 76829

**Equipment examples**







Market town of Schneegattern: Under-ground energy system PIAZZA 540 with two cable outlets and water connections.



Junkers-Schlössle Götzis: Under-ground distributor PIAZZA 1000 for power supply as well as a manhole.



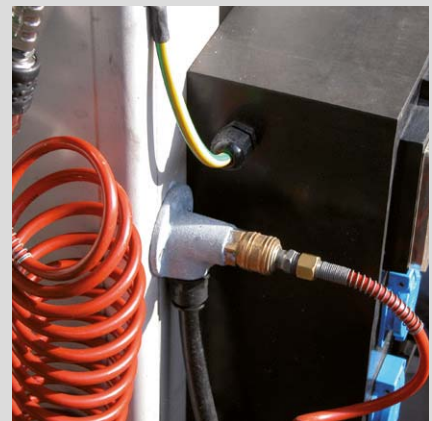
New place in Klagenfurt: Sewage pit with grill. The shaft can be closed while the waste water hose is used.



Main Station Linz: installed above underground garage (lower depth - 510 mm instead of only 910 mm).



Water supply in / on the shaft or water connection at the shaft cover.



Compressed air connection on the shaft cover.



Drawing out of casting pit on the basis of the required dimensions. Installation of a proper foundation as well as a drainage system.



The stainless steel construction, mounted onto the concrete ring, is prepared for installation. Openings for supply cables need to be cut out of the concrete ring.



Dropping down of complete unit into the prepared casting pit with suitable lifting aid (crane).



Adapting the unit and levelling onto the correct installation depth (lining surface level).



Filling of unit used, and producing a concrete sleeve over all of the stainless steel construction (see technical drawing).



Replenishing the filling tray with filling material adapted to the particular environment (asphalt, concrete, granite, Porphy, and many others ...).



Solid stainless steel construction 200 x 200 mm, max. load C 250 kN.



BMW car dealership in Pressbaum

EDP No. 76636

#### Areas of application:

Squares, event and industrial halls, courtyards, pedestrians zones, parking areas, hangars and at all locations where energy is supplied in response to demand. Isolating transformers can also be used to execute the illumination of weekly markets, Christmas events and Christmas trees.

#### Properties:

- Robust, and easy and safe to operate
- For electrical connections
- Cover and frame made of stainless steel
- The cover surface consists of an anti-slip stud plate (can be filled on request)
- The lid is locked using a sunk, lid-level stainless steel casement fastener square, 8 mm (2 keys are included in the scope of delivery)
- Load class C (250kN)
- A cable outlet opening for cables up to 20 mm in diameter is provided in the shaft lid
- Accessible and trafficable even during operation.
- Customized assembly either protective coupling 16A 230V (IP68) unit or solid rubber CEE-socket 5x16A 400V (IP67) or solid rubber CEE-socket 5x32A 400V (IP67) unit
- High level of safety in operation due to the reclosing after start-up. This means optimum safety for pedestrians, as well as moving and stationary traffic and protection against unauthorized access

#### Scope of delivery:

The stainless steel construction with shaft cover made of anti-slip stud- or cross-grinding plate (can be filled on request) will be delivered installed and ready for connection.



Stud plate



Cross-grinding plate  
(anti-slip category)

#### Technical Information:

- The lid is locked using a stainless steel square casement fastener (8 mm). 2 keys are included in the scope of delivery.
- There is a cable outlet opening integrated in the shaft cover. The cable outlet is for cables up to a diameter of 25 mm.

#### Work to be completed by the customer:

The shaft lid structure is not water-tight in the event of surface water. Sufficient drainage must therefore be ensured by the customer.

The necessary ground excavation.

Electrical connections must be implemented by a licensed electrical company.



Oberbank Linz Donaulände

EDP No. 89632



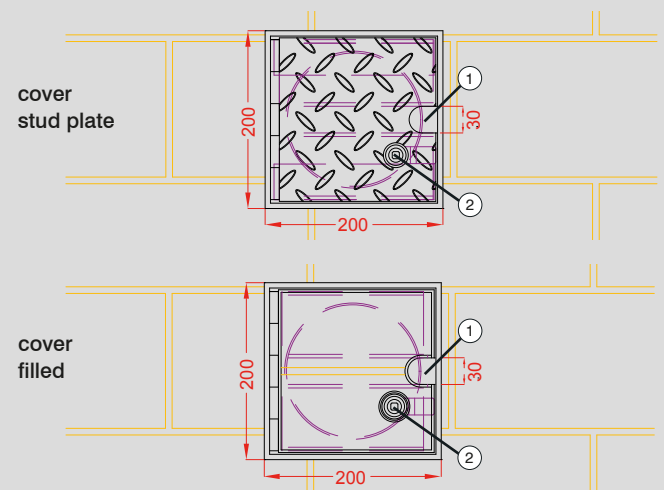
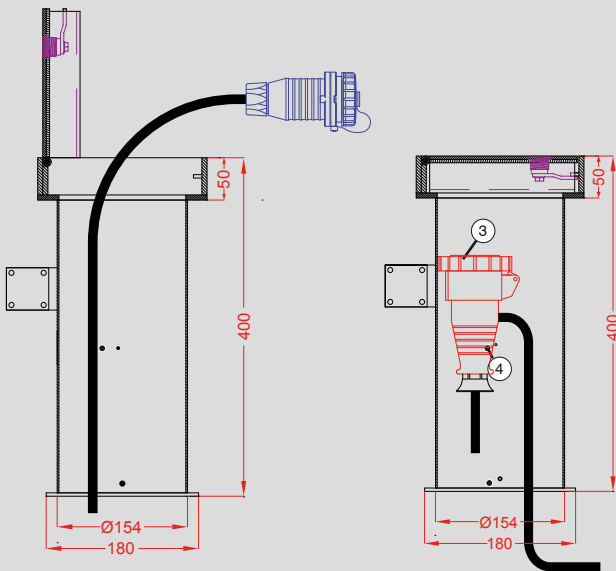
Vineyard Esterhazy Dürnstein

EDP No. 76636

**Our strength is in customised solutions!**

**Design the optimum solution for your requirements with our engineers.**

- ① Stainless steel construction with cable exit
- ② Stainless steel square sash fastener
- ③ CEE-plug waterproof 5x16A 400V or 5x32A 400V accordingly Schuko plug waterproof 16A 230V - incl. GIFAS-Proflex-cable
- ④ Bracket for coupling



An adequate, compliant foundation, the proper mounting of the shaft (C 250kN load) and adequate drainage must be ensured by the customer.

Solid stainless steel construction D=324 mm, max. load B 125kN.



GKB Graz

EDP No. 91184

### Areas of application:

Squares, event and industrial halls, courtyards, pedestrians zones, parking areas, hangars and at all locations where energy is supplied in response to demand. Isolating transformers can also be used to execute the illumination of weekly markets, Christmas events and Christmas trees.

### Properties:

- Under-ground distributor for instances where space is limited.
- In order to ensure safety, the under-ground distributor can be closed when the output is inserted.
- Floor-level installation with a recessed sash lock.
- Very simple secondary installation due to a bore hole.



### Scope of delivery:

The stainless steel construction with shaft cover made of anti-slip stud- or cross-grinding plate will be delivered already installed and ready for connection.



Stud plate



Cross-grinding plate  
(anti-slip category)

### Technical information:

- Additional security due to lifting, swivelling cover – cover does not cause any obstacle when open.
- Solid stainless steel construction with the following dimensions: H x D 490 x Ø324 mm, max. load B 125kN
- Cover material: stainless steel stud plate with sash lock and cable outlet opening.

### Work to be completed by the customer:

The shaft lid structure is not water-tight in the event of surface water. Sufficient drainage must therefore be ensured by the customer.

The necessary ground excavation.

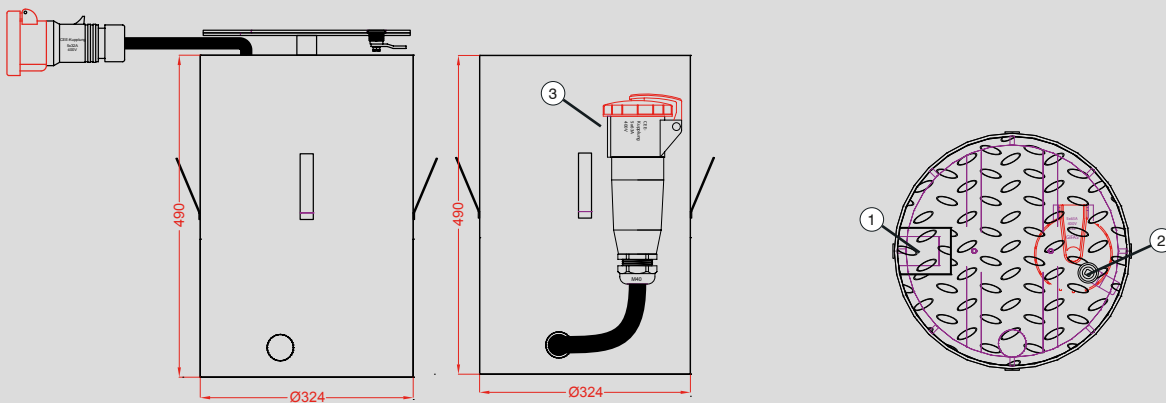
Electrical connections must be implemented by a licensed electrical company.



**Our strength is in customised solutions!**

**Design the optimum solution for your requirements with our engineers.**

- ① Stainless steel construction with cable outlet 40 x 55 mm
- ② Stainless steel square sash fastener 4K 8 mm
- ③ CEE-coupling waterproof



An adequate, compliant foundation, the proper mounting of the shaft (B 125kN load) and adequate drainage must be ensured by the customer.



Cast steel construction with round shaft cover diameter = 600 mm and noise absorbing polyethylene (PE) material, load up to D 400kN.



Künz crane construction in Hard at Bregenz

EDP No. 61347

#### Areas of application:

Squares, event and industrial halls, courtyards, pedestrians zones, parking areas, hangars and at all locations where energy is supplied in response to demand.

#### Properties:

- Robust, easy to use, safe and secure
- GIFAS solid rubber distributor ensure utmost safety and security
- No problems with condensation
- Free of environmental impacts
- The solid rubber material is resistant to ageing and is therefore extremely long-lasting.
- Manhole cover and upper ring made of steel casting
- Shock-absorbing polyethylene inlay
- Power, water and water connectivity
- Load class D (400kN)
- Cable and hose outlet
- Even accessible and trafficable during operation
- GIFAS solid rubber distributor: individual assembly in line with your special requirements and taking into consideration technical standards.
- High levels of operational safety due to reclosing after start-up.
- This means optimum safety for both pedestrians and stationery or moving traffic, as well as protection against unauthorised access.

#### Scope of delivery

The complete steel casting construction including main distributor and terminal distributor will be delivered already mounted onto a concrete shaft (H = 500 mm, diameter = 600 mm).

#### Technical Information:

- Closing of shaft cover is effected by an integrated spring mechanism. Opening procedure is assisted by a special tool (included at delivery).
- Within the shaft cover there is a cable exit insert part integrated (dimensions: 90 x 70 mm).
- Opening and closing procedure is assisted by a gas spring.
- The top is made of steel casting and can not be filled with stones, asphalt or other materials.

#### Work to be completed by the customer:

- Ensuring a proper drainage. Please bear in mind that the top is not water tight. There might be some water within the shaft.
- The necessary ground excavation.
- Installation of the construction in accordance with underlying technical and legal standards.
- Electrical connections must be implemented by a licensed electrical company.





Assembly area Rosenbauer International

EDP No. 76920



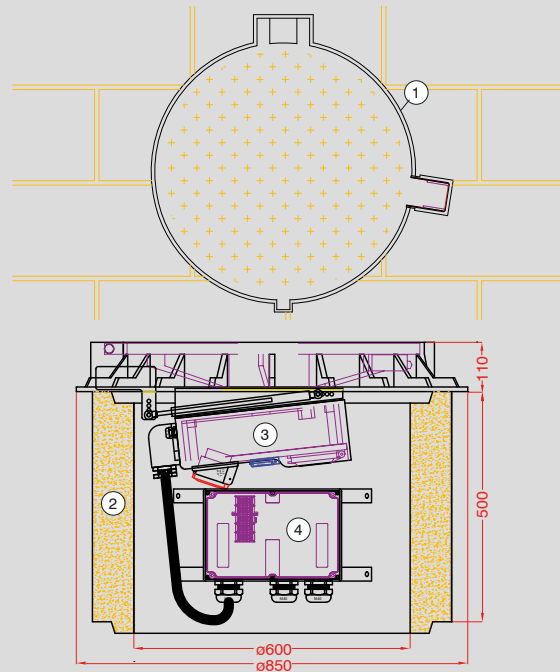
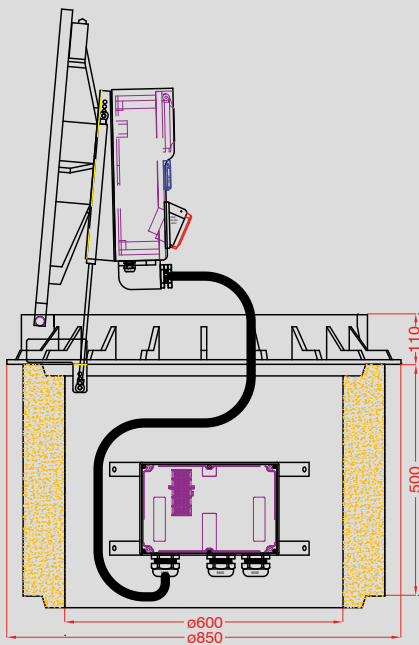
Pizza & Baguette in Rottenbach

EDP No. 62198

**Our strength is in customised solutions!**

**Design the optimum solution for your requirements with our engineers.**

- ① Cast steel construction
- ② Concrete shaft DN600 mm H = 500 mm
- ③ Main junction box
- ④ Terminal box



An adequate, compliant foundation, the proper mounting of the shaft (D 400kN load) and adequate drainage must be ensured by the customer.

## Main distributor:

- The cabinet made of vulcanized self-extinguishing butyl rubber guarantees the utmost safety in operation.
- The excellent insulating properties prevent any temperature-based accumulation of condensation.
- The rubber material is resistant to environmental impact and is therefore extremely long-lasting.
- The fuse material is installed under two shock-resistant folding makrolon covers, where they are splash-proof.
- The 4 wall fittings are sealed off from the rest of the wiring area and guarantee full protective insulation.
- GIFAS solid rubber distributor: individual assembly in line with your individual requirements and taking into consideration the technical laws and standards.

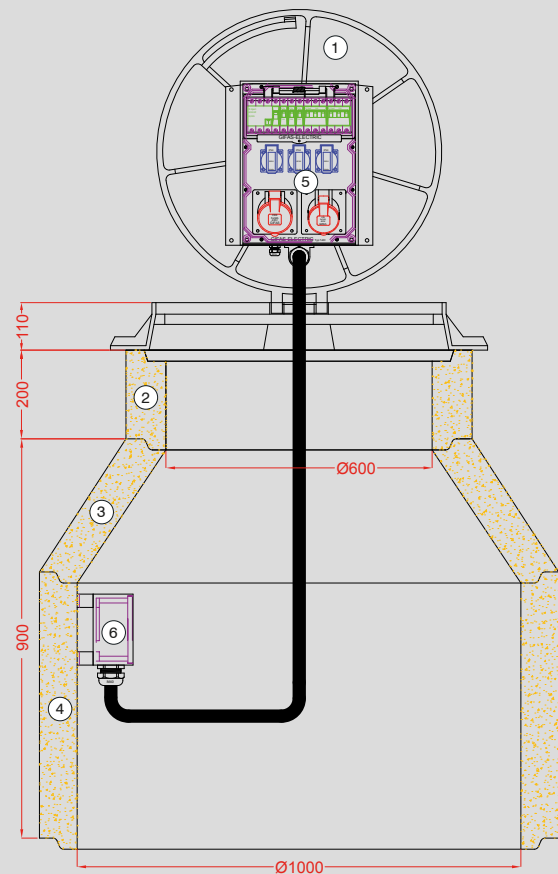


Carrier Gartner in Lambach

EDP No. 67272

## Special models

- ① Cast steel construction
- ② Concrete shaft DN600 mm
- ③ Concrete shaft cone DN600 / 1000 mm
- ④ Concrete shaft DN1000 mm
- ⑤ Main junction box
- ⑥ Terminal box



An adequate, compliant foundation, the proper mounting of the shaft (D 400kN load) and adequate drainage must be ensured by the customer.

**Terminal distributor:**

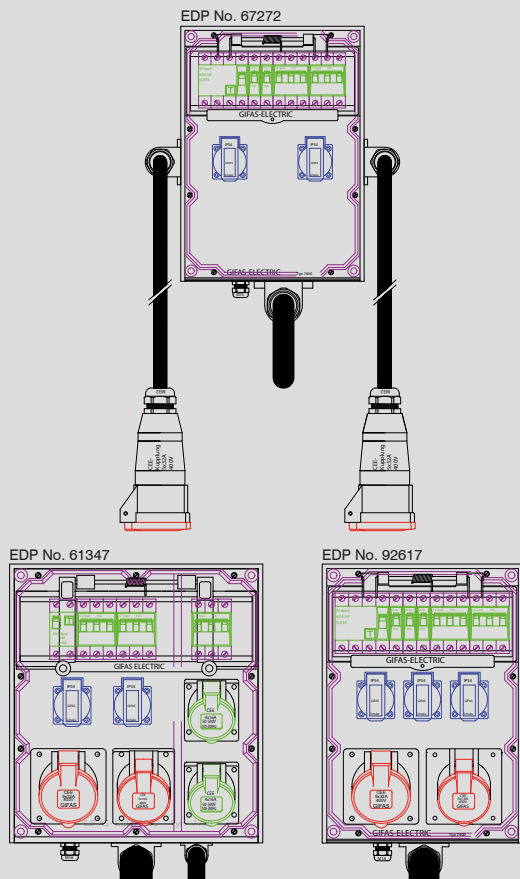
- Different sizes are available, in line with your individual clamping requirements.
- Aluminium bars affixed to the aluminium rails enable quick and easy installation on the concrete sleeve.



Carrier Gartner in Lambach

EDP No. 67272

**Equipment examples**





# CONTACT US



Subject to technical changes 04/2018/1.0

**GIFAS**  
ELECTRIC

GIFAS ELECTRIC  
Gesellschaft m.b.H  
Strass 2  
5301 Eugendorf  
AUSTRIA

www.gifas.at  
verkauf@gifas.at  
+43 6225/7191-0  
+43 6225/7191-561  
+49 8654/404-2000