

SYSTEMATIC QUALITY



Energy Columns



Power bollard Rondo

Application examples

Pages 4 - 13

Power bollard
Rondo



Pages 4 - 5

Rondo 200



Pages 6 - 7

Rondo 300



Pages 8 - 9

Rondo 500



Pages 10 - 11

Rondo 300/200
removable



Page 12

Application
examples



Page 13

Aluminium Energy columns

Pages 14 - 19

Aluminium
Energy columns



Pages 14 - 15

GAS 160



Pages 16 - 17

GAS 100



Pages 18 - 19

Energy columns Special models

Application examples

Pages 20 - 21

Energy columns



Page 20

Application
examples



Page 21





Areas of application

- Village Squares
- City Squares
- Town Squares
- Festival grounds
- Pedestrian Zones
- Courtyards
- Gardens and Parks
- Parking Areas
- Marinas
- etc.

Also practical as protection against thoroughfare and path safeguarding in combination with secure and trouble-free energy supply.

Features

- Power bollards to be mounted permanently in 3 different sizes, diameter D=200 mm, 300 mm or 500 mm
- V2A-stainless steel construction, powder-coated, available with textured surface in the colors aluminium white and pine green or with satin finish in all the standard RAL-colors
- Special colors available on request
- Door can be locked with cylinder lock
- Power supply built into the bollard
- Distributor cabinet made of vulcanized self-extinguishing butyl rubber
- Fuse material by shockproof makrolon
- In closed state power supply via cable outlet insert underneath the door
- High operating safety and protection against unauthorized access and vandalism
- Individual distributor fittings as per the client's specification, technical requirements and regulations





Rondo 200 -
Bower plant Abwinden Asten

EDP No. 89332

Technical data

Outer dimensions of the bollard	D = 204 mm, H = approx. 1200 mm
Weight of the bollard	approx. 25 kg
Material	stainless steel V2A
Surface	powder-coated textured in the colors aluminium white and pine green or with satin finish in all standard RAL-colors
Lock	door can be locked with a cylinder lock (incl. 5 keys), half cylinder also available

Functionality

The bollard mounted on a permanently installed floor outlet (concrete base on site), or on a bollard base unit, using a flange plate is connected to the power grid. Once this has been done, the bollard is already operative and ready to use.

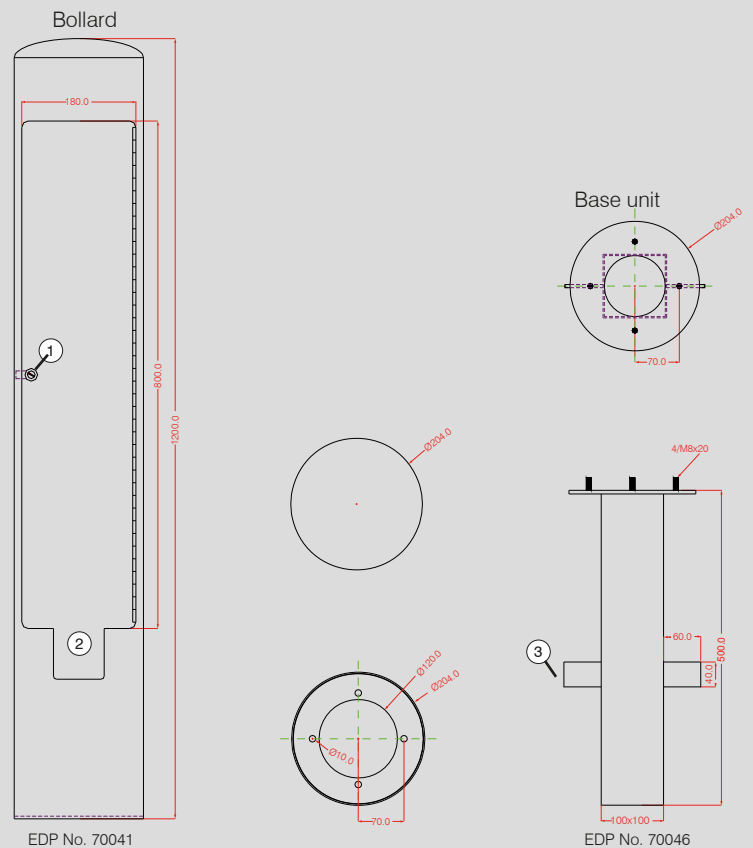
Optional base unit

The stainless steel bollard base unit with anti-twist device is only used if no concrete base is available on site for installing the bollard. The digging, as well as the proper and standardized installation, of the bollard base unit must be executed by the customer. After completion of these works the bollard is ready for use.

Water supply connection

As an option it is possible to integrate a water supply piece with ball valve and hose connection piece into the base unit. In this case the bollard base unit including water supply connection will be supplied mounted and ready for connection. The water supply piece with ball valve must be provided by the client (it is also possible to supply protection equipment against frost for the water connection).

- ① Cylinder lock with 5 keys
- ② Cable outlet insert 80 x 80 mm
- ③ Anti-twist device





Rondo 200 -
School center, Wals



EDP No. 72730



Our strength is in customised solutions!

Design the optimum solution for your requirements with our engineers.

Equipment examples:

Socket-distributor model

The cabinet made of vulcanized self-extinguishing butyl rubber guarantees the utmost safety in operation. The excellent insulating properties prevent any temperature-based accumulation of condensation. The rubber material is resistant to environmental impact and is resistant to ageing and is therefore extremely long-lasting.

The fuse material is installed under two shock-resistant folding makrolon covers, where they are splash-proof. The 4 wall fittings are sealed off from the rest of the wiring area and guarantee full protective insulation.

Equipment examples

Socket distributor Series 2516
Dimensions: 500 x 160 x 90 mm (without fittings)

Entry:

2/ cable glands M40 for supply cables E-YY-J 5x16 mm²
(provided on site)

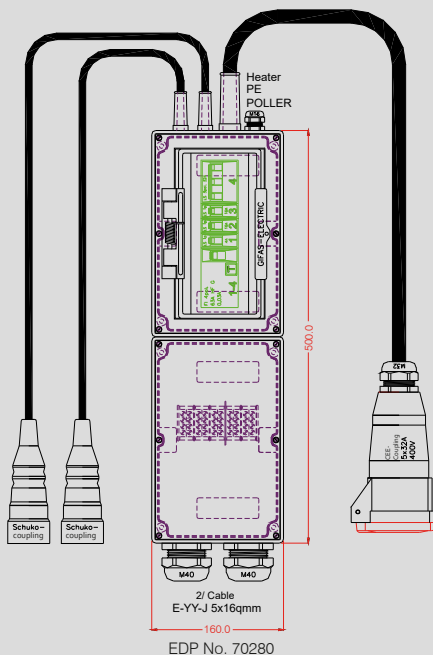
Equipment:

2/ Schuko couplings 16A 230V
1/ solid rubber CEE coupling, 5x32A 400V

Fusing:

1/ RCD 4-pole 63/0,03A *G*
2/ MCB 1-pole 16A *C*
1/ MCB 3-pole 32A *C*

Heating strip for water supply connection in base unit (optional).
Junction box wired ready for use firmly fixed in the bollard.





Rondo 300 -
Municipality St. Marienkirchen / Polsenz

EDP No. 89081

Technical data

Outer dimensions of the bollard D = 304 mm, H = approx. 1200 mm
 Weight of the bollard approx. 45 kg
 Material stainless steel V2A
 Surface powder-coated, textured, in the colors aluminium white and pine green or with satin finish in all the standard RAL-colors
 Lock bollard door can be locked using a cylinder lock (incl. 5 keys), optional with half cylinder

Functionality

The bollard mounted on a permanently installed floor outlet (concrete base on site), or on a bollard base unit, using a flange plate is connected to the power grid. Once this has been done, the bollard is already operative and ready to use.

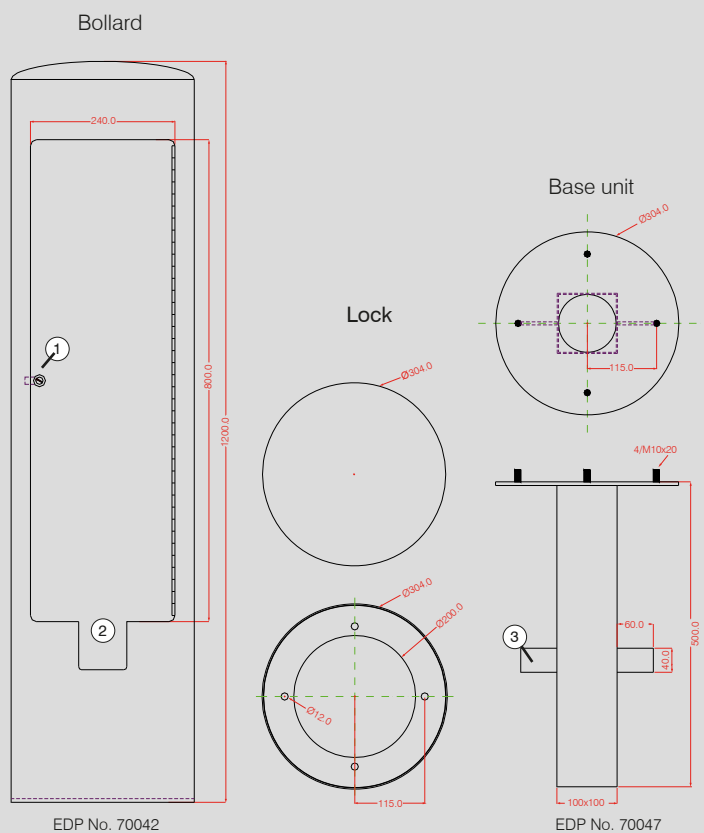
Optional floor-mounting part

The stainless steel bollard base unit with anti-twist device is only used if no concrete base is available on site for installing the bollard. The digging, as well as the proper and standardized installation, of the bollard base unit must be executed by the customer.

Water and sewage connection

A water supply piece with ball valve and hose connection piece are also possible, as well as a mineral-reinforced, hot-water-resistant DN50 sewage tube. 1 mains-water connection with ball valve and sewage connection must be provided on site (protection equipment against frost for the water connection can also be supplied).

- ① Cylinder lock with 5 keys
- ② Cable outlet insert 80 x 80 mm
- ③ Anti-twist device





Rondo 300 -
Municipality, Naarn, Marchland

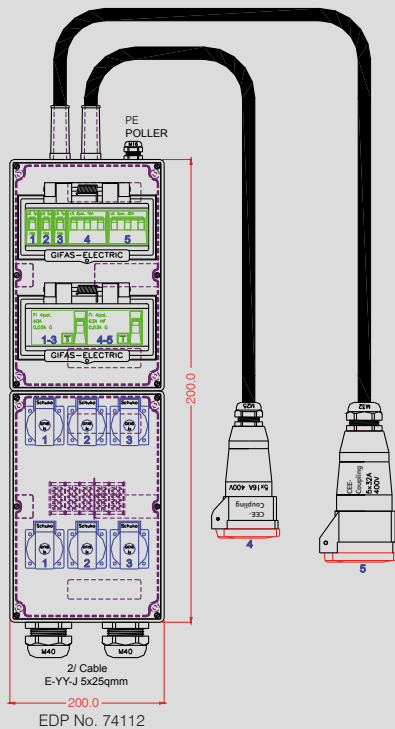
EDP No. 74833



Our strength is in customised solutions!

Design the optimum solution for your requirements with our engineers.

Equipment examples:



Socket-distributor model

The cabinet made of vulcanized self-extinguishing butyl rubber guarantees the utmost safety in operation. The excellent insulating properties prevent any temperature-based accumulation of condensation. The rubber material is resistant to environmental impact and is resistant to ageing and is therefore extremely long-lasting.

The fuse material is installed under two shock-resistant folding makrolon covers, where they are splash-proof. The 4 wall fittings are sealed off from the rest of the wiring area and guarantee full protective insulation.

Equipment examples

Socket distributor Series 3020
Dimensions: 600 x 200 x 110 mm (without fittings)

Entry:

2/ cable glands M40 for 2 power supply cables E-YY-J 5x25 mm²
(provided on site)

Equipment:

6/ Schuko sockets 16A 230V
1/ solid rubber CEE coupling 5x16A 400V
1/ solid rubber CEE coupling 5x32A 400V

Fusing:

1/ RCD 4-pole 40/0.03A *G*
1/ RCD 4-pole 63/0.03A *G*
3/ MCB 1-pole 16A *C*
1/ MCB 3-pole 16A *C*
1/ MCB 3-pole 32A *C*

Heating strip for water supply connection in base unit (optional).
Plug distributor wired ready for use permanently installed in the bollard.



Rondo 500 -
KUKO Rosenheim

EDP No. 123470

Technical data

Outer dimensions of the bollard	D=508 mm, H = approx. 1500 mm
Weight of the bollard	approx. 65 kg
Material	stainless steel V2A
Surface	powder-coated textured in the colors aluminium white and pine green or with satin finish in all standard RAL-colors
Lock	Bollard door lockable with swivel lever for half-cylinder (half-cylinder not included)

Functionality

The bollard mounted on a permanently installed floor outlet (concrete base on site), or on a bollard base unit, using a flange plate is connected to the power grid. Once this has been done, the bollard is already operative and ready to use.

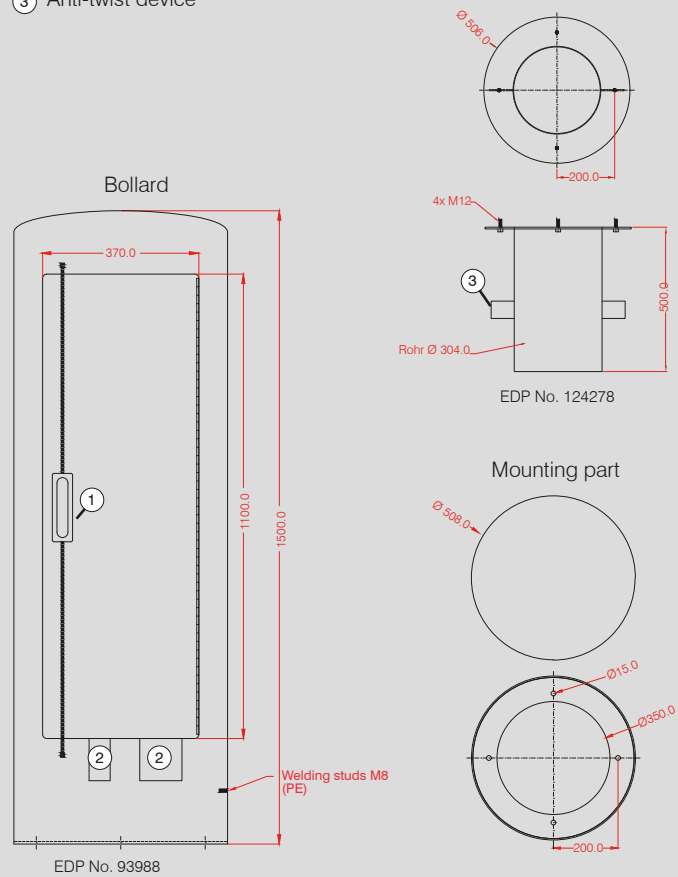
Optional floor-mounting part

The stainless steel bollard base unit with anti-twist device is only used if no concrete base is available on site for installing the bollard. The digging, as well as the proper and standardized installation, of the bollard base unit must be executed by the customer.

Water and sewage connection

A water supply piece with ball valve and hose connection piece are also possible, as well as a mineral-reinforced, hot-water-resistant DN50 sewage tube. 1 mains-water connection with ball valve and sewage connection must be provided on site (protection equipment against frost for the water connection can also be supplied).

- ① Swivel lever for half-cylinder (half-cylinder not included)
- ② Cable outlet insert 50 x 100 mm
Cable outlet insert 100 x 100 mm
- ③ Anti-twist device

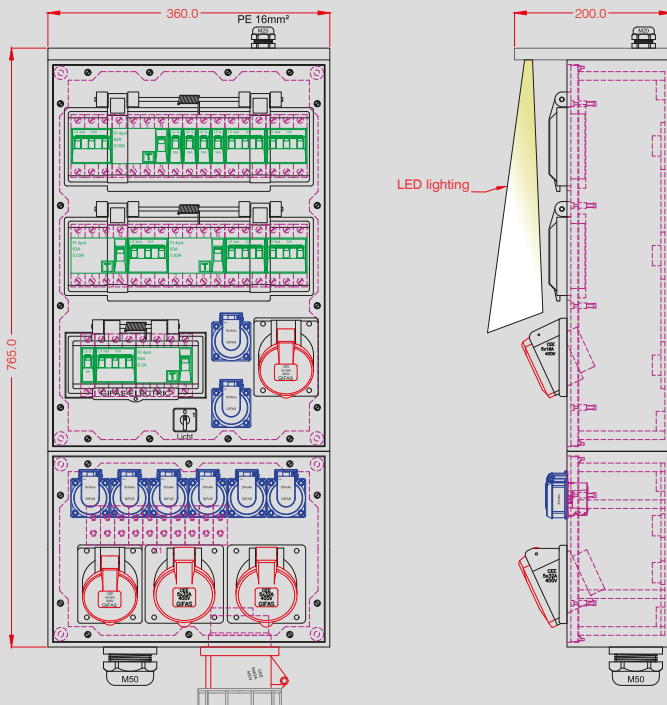




Our strength is in customised solutions!

Design the optimum solution for your requirements with our engineers.

Equipment examples:



Socket-distributor model

The cabinet made of vulcanized self-extinguishing butyl rubber guarantees the utmost safety in operation. The excellent insulating properties prevent any temperature-based accumulation of condensation. The rubber material is resistant to environmental impact and is resistant to ageing and is therefore extremely long-lasting.

The fuse material is installed under two shock-resistant folding makrolon covers, where they are splash-proof. The wall fittings are sealed off from the rest of the wiring area and guarantee full protective insulation.

Equipment examples

Socket distributor Series 3800 / 7800
Dimensions: 765 x 360 x 133 mm (without fittings)

Entry

2/ cable glands M50 für 1 power supply cables E-YY-J 5x25 mm²
(provided on site)

Equipment

8/ Schuko couplings 16A 230V
2/ solid rubber CEE socket 5x16A 400V
2/ solid rubber CEE socket 5x32A 400V
1/ CEE socket 5x63A 400V
1/ LED Lighting

Fusing

3/ RCD 4pol. 63/0,03A *G/A*
1/ RCD 4pol. 63/0,3A *S/A*
1/ MCB 1pol. 6A *C*
4/ MCB 1pol. 16A *C*
2/ MCB 3pol. 16A *C*
2/ MCB 3pol. 32A *C*
3/ MCB 3pol. 63A *C*

Heating strip for water supply connection in base unit (optional).
Junction box wired ready for use firmly fixed in the bollard.



Rondo 300 removable -
City of Eggenfelden



EDP No. 86431



This bollard design option offers the possibility of variable use of the power supply unit.

Example

A market square is equipped with 20 base units and 8 power bollards. Depending on the occasion, the power bollards can now be positioned wherever the actual need is.

Advantages

- Cost saving, as only 8 power bollards must be procured for 20 fitting units; these power bollards can be individually positioned wherever they are needed.
- The bollards can be removed during periods when they are not needed and can be stored at a different location.
- The use of power bollards means that it is not necessary to lay many metres of exposed cables, and many safety hazards are thus avoided.



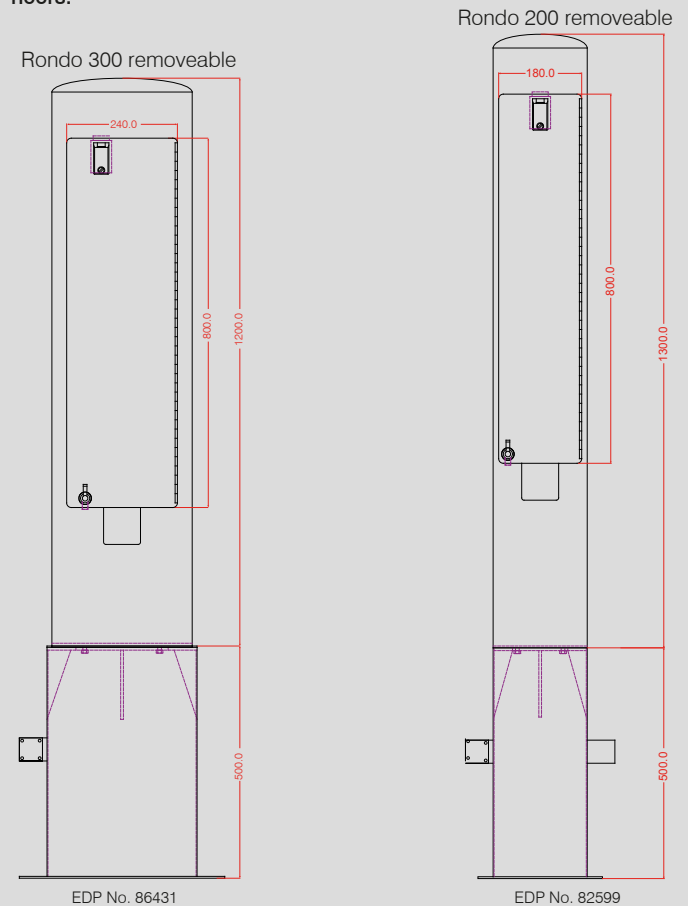
Rondo 200 removable -
Kutschkermarkt / Vienna



EDP No. 82599

Our strength is in customised solutions!

Design the optimum solution for your requirements with our engineers.





Rondo 200 -
for the charging of electric cars
Car dealer Schöndorfer / Gallneukirchen

EDP No. 74207



Rondo 200 -
FMZ M-City Mistelbach



EDP No. 74146



Rondo 300 - with water connection and heating
for protection against frost Sartrouville Square, Waldkraiburg

EDP No. 86985



Rondo 300 - special construction
Brunnenmarkt / Vienna

EDP No. 90177



Rondo 300 - with wind-up device for extension cords
Austrian Railways



EDP No. 74533



Material of the future

Today pure functionality is no longer the only aspect taken into consideration – the design of the electro-technical equipment used is becoming increasingly important, particularly in office buildings, but also in production plants and workshops, such as in the automobile industry or mechanical engineering plants.

Functionality and attractive design

Other advantages include the high resistance to all external influences, low weight as well as high adaptability in use. The fact that the energy columns are easy to position ensures a trouble free, safe and well-engineered feed of energy and data technology in the workplace, whether this comes from the ceiling or from the floor.

Range of applications

- Entrance gates
- Parks
- Gardens
- Banks
- Offices
- Medical practices
- Administrative buildings
- Entrance halls
- Living quarters
- Industrial plants
- Swimming pools
- Conservatories
- Railway stations
- Airports etc.

**Premium-quality aluminium –
Weather-resistant, impact-proof and corrosion-resistant**

Features

The premium aluminium range is also well-known due to the strength of GIFAS products.

- The covered aluminium profiles provide protection against water and moisture.
- All parts, and even accessories, are manufactured to be extreme robust.
- The profile cover is pressed or bolted at the top, and bolted at the bottom, and also sealed for outdoor use using a rubber gasket. This guarantees the highest levels of quality and safety.
- The height of the columns can be adjusted up to 6 metres according to the wishes and requirements of the customer.
- The easy-care surface is stain-resistant.
- Type of protection: for outdoor use: IP54 (with the appropriate fittings), for indoor use: IP20.





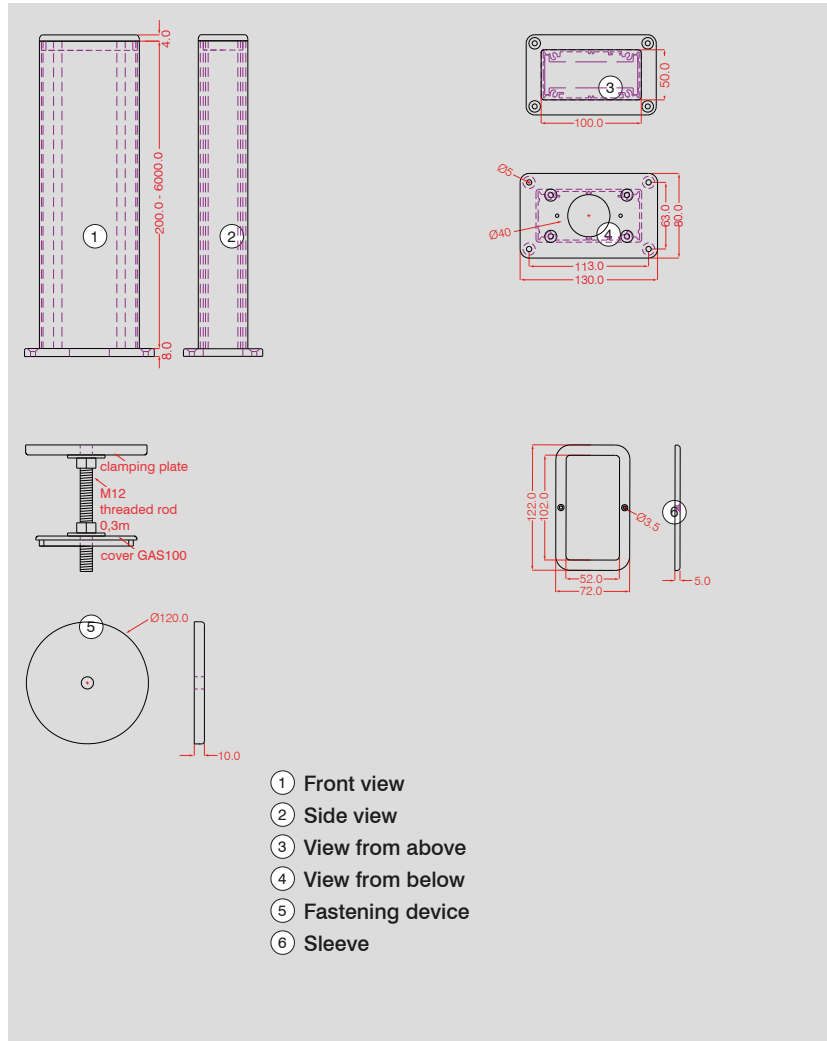
GAS 100 - Office park airport Vienna

Features

- The small energy column GAS 100 enables the installation of all standard programs and permits different drilling templates for high levels of adaptability, as well as the use of multiple and single frames.
- Connections from the ceiling can be drilled and fitted up to a height of 6 metres according to individual requirements.
- The column is suitable for indoor and outdoor use.
- For floors made of ceramics or tiles, which need to be cleaned with water, we offer the column of IP54 protection category.
- The attractive design is appreciated in offices too, as there is also the possibility of integrating data and telephone systems.
- This is the ideal solution for power distribution in production halls and workshops, especially due to the possibility of fitting it to low-voltage supply systems, as well as the possibility of data processing modules and control and signal devices, etc.
- As per the customer specification, also powder-coated in standard RAL colors.
- The aluminium column successfully meets the outdoor requirements due to its non-corrosive properties and its high resistance to environmental influences.

Scope of delivery

- Aluminium column
- Base and mounting plate
- Connecting terminal up to 2.5 mm²
- Mounting screws for the standard fittings range
- Mounting screws for the base plate incl. brass rawl plugs
- If necessary, with equipment (switches, sockets, etc.)



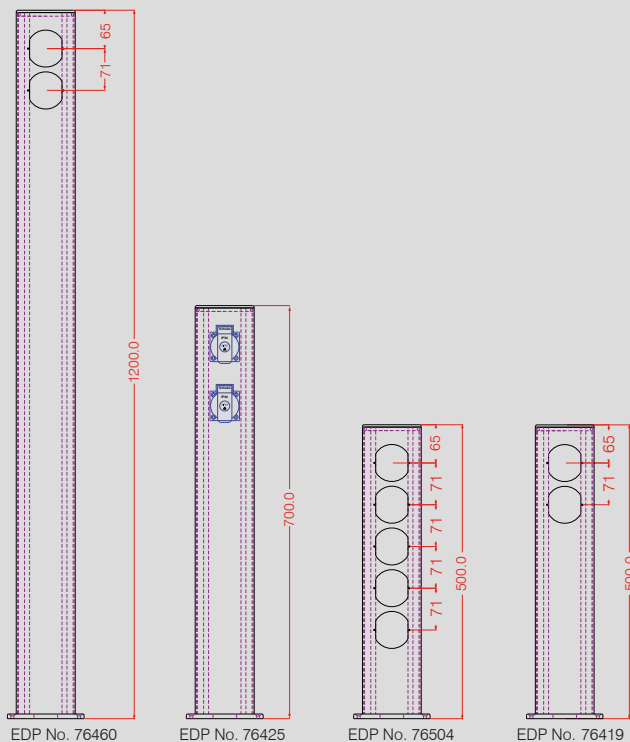
- ① Front view
- ② Side view
- ③ View from above
- ④ View from below
- ⑤ Fastening device
- ⑥ Sleeve



Our strength is in customised solutions!

Design the optimum solution for your requirements with our engineers.

Equipment examples:



Technical data

Material

- aluminium, silver-anodized
- mounting devices from V2A

Type of protection

- IP20 – no protection against humidity (e.g. for offices)
- IP54 – splash-proof (with the appropriate fittings)

Dimensions

- 100 x 50 mm covered aluminium profile
- Length as per the customer specification (from 0.2 m up to 6 m)

Equipment

- on one side with all the standard device programs

Color

- As per the customer specification, also powder-coated in standard RAL colors.

Connecting terminal with tension spring technology

- up to 2.5 mm²

Base plate including:

- 4 M5 stainless steel mounting screws incl. brass rawl plugs

Fastening device for ceiling connections consisting of:

- aluminium plate
- threaded rod M12
- nuts and U-bolts



Sleeve for double ceilings and double floors





GAS 160 - Vienna Fairground access control



GAS 160 - Treibacher Industrie AG workshop

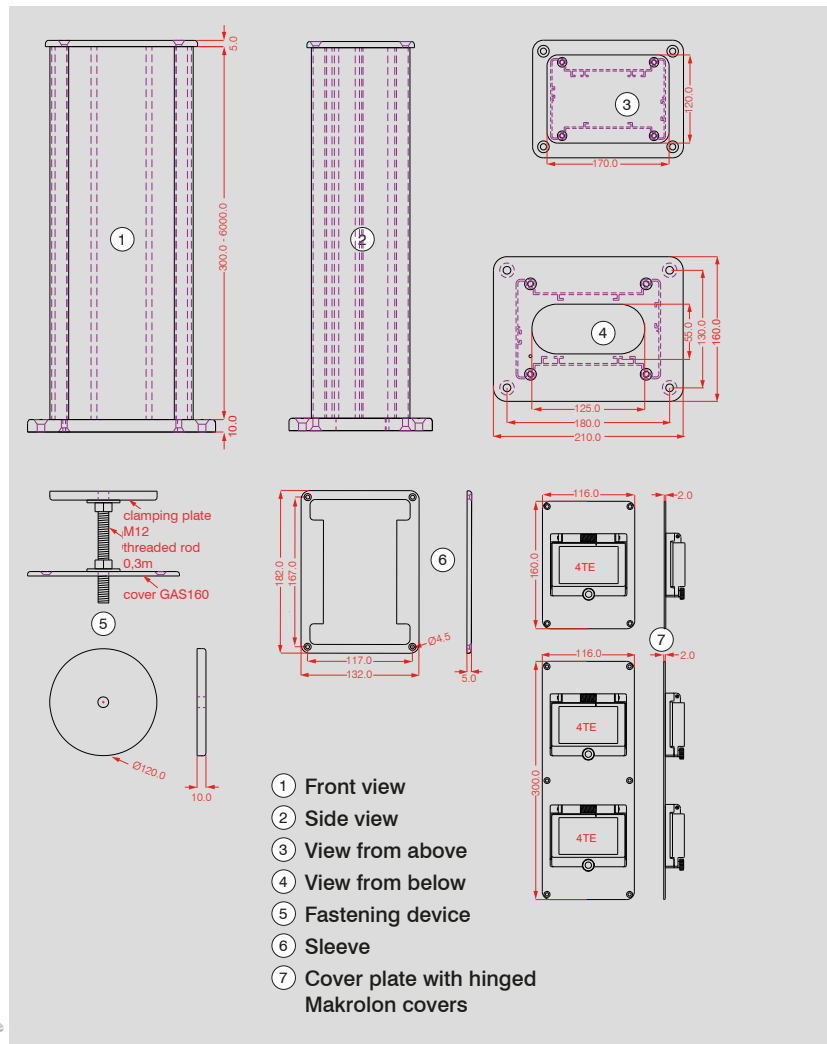
Features

- Versatile and particularly robust aluminium column, which can be individually equipped on all four sides according to individual requirements.
- Ceiling connections can be drilled and fitted up to a height of 6 meters according to individual requirements.
- One special option is the ceiling-connection version using covered aluminium profiles for a vertical connection technique. This makes feeding from both sides possible. The profile provides high levels of stability and the fittings are also protected.
- The column is suitable for indoor (type of protection IP20) and outdoor (type of protection IP54) use.
- A separating plate is inserted to separate the different circuits.
- This is the ideal solution for power supply in production halls and workshops, especially due to the possibility of adding a connection for compressed air, fitting in low-voltage supply systems and data-processing modules as well as control and signal devices, CEE-sockets up to 32A, etc.
- The attractive design is appreciated in offices too, as there is also the possibility of integrating data and telephone systems.
- As per the customer specification, also powder-coated in standard RAL colors.
- The aluminium column successfully meets the outdoor requirements because of its non-corrosive properties and its high level of resistance against environmental influences.



Scope of delivery

- Aluminium column
- Base and mounting plate
- Connecting terminals up to 16 mm²
- Mounting screws for the standard fittings range
- Mounting screws for the base plate incl. brass rawl plugs
- If necessary, with equipment (CEE built-in sockets, fuses, etc.)





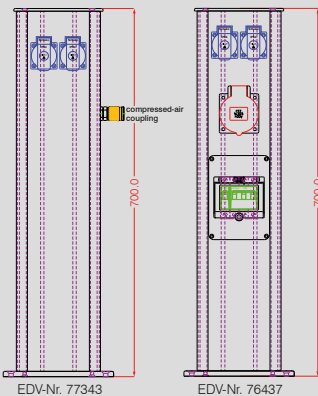
GAS 160 - for the charging of electric cars
Vorarlberger power plants, Bregenz



EDP No. 860409
Aluminium post combination Type GAS 160



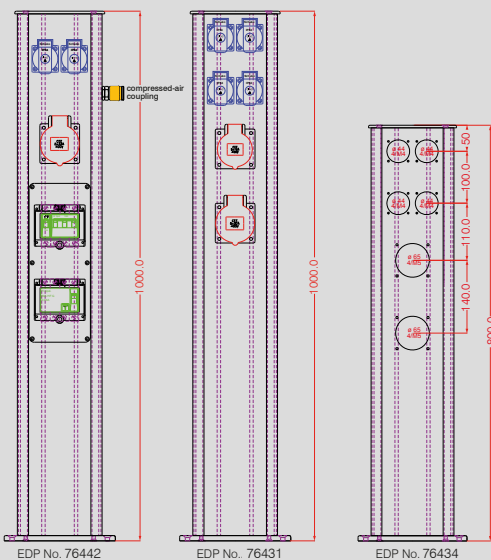
EDP No. 860412



Our strength is in customised solutions!

Design the optimum solution for your requirements with our engineers.

Equipment examples:



Technical data

Material

- aluminium, silver-anodized
- mounting devices from V2A

Type of protection

- IP20 – no protection against humidity (e.g. for offices)
- IP54 – splash-proof (with the appropriate fittings)

Dimensions

- 160 x 110 mm covered aluminium profile
- Length as per customer specification (from 0.3 m up to 6.0 m)

Equipment

(possible on all four sides as per the customer specification)

- On two sides with all standard device programs
- On two sides with all CEE built-in sockets
- Fusing: safety switch and RCD
- Compressed air connection. ¼ inch with up to two one-hand quick action couplings
- Top light

Color

- As per customer specification, also powder-coated in standard RAL colors.

Connecting terminals

- up to 16 mm²

Base plate including

- 4 stainless steel M8 mounting screws incl. brass rawl plugs

Fastening device for ceiling connections consisting of:

- aluminium plate
- M12 threaded rod
- nuts and U-bolts

Sleeve for double ceilings and double floors



Our name stands for individual, tailor-made solutions that fully meet our customers' requirements. We use our extensive knowledge and decades of experience in electro-technical products to produce customer- and system-based solutions.

During close cooperation with our customers, we also of course develop solutions that diverge from standard energy columns such as RONDO, GAS 100 or GAS 160.

On this double page, you see some examples of energy columns for industry, energy suppliers, tourism, communities, cities, etc., which have been manufactured as per the individual customers' specification.



Stainless steel socket distributor - TIWAG Jenbach

EDP No. 89783



Verbund AHP power plant Abwinden-Asten



EDP No. 83249



Stainless steel distributors for shipping piers
Verbund power plant Abwinden-Asten

Initial situation:

The steel boxes previously in use did not correspond with the newly introduced ÖVE-regulations. The equipment was no longer sufficient and the boxes were in a very poor condition.

GIFAS solution:

For a long-lasting solution we, together with our customer, developed stainless steel boxes with solid rubber distributors which amongst others were equipped with Marechal special connectors (250A).



EDP No. 83249



EDP No. 83247



KUKO Rosenheim



EDP No. 70798



Schönbrunn Palace



EDP No. 66024



Fiss Ski Area / Children's Skiworld



EDP No. 70984

CONTACT US



GIFAS
ELECTRIC

GIFAS ELECTRIC
Gesellschaft m.b.H
Strass 2
5301 Eugendorf
AUSTRIA

🌐 www.gifas.at
✉ verkauf@gifas.at
☎ +43 6225/7191-0
📠 +43 6225/7191-561
☎ +49 8654/404-2000