

SYSTEMATIC QUALITY



## Boxes with safety and isolator switches



## Boxes with safety and isolator switches

Pages 4 - 6

Emergency stop button



Page 4

Main switch / mains switch



Page 4

Main switch / repair switch



Page 5

Safety switches



Page 5

Control panel



Page 6

Main switch / mains switch



Page 6

## Boxes with safety and isolator switches

Pages 7 - 8

Main switch box with built-in work sockets



Page 7

Safety switches



Page 7

Control panel



Page 8

## Application examples

Page 9

Application examples



Page 9

### Optimum safety – for people and machinery

The safety of your employees is guaranteed by complying with safety regulations and instructions.

#### Five safety rules:

1. switch off
2. lock against reclosure
3. check that lines and equipment is dead
4. ground and short circuit phases
5. cover, partition or screen of adjacent line sections

#### Isolator switch

##### Definition

Isolator switches must disconnect all poles, and do not have offbreaking capacity. It is designed in such a way that they are impossible to switch on again by mistake. The switchgear should be black.

#### Main switch / Repair switch

(main switches for power supply of machines and lifting devices)

##### Definition

These main switches cannot be used as emergency isolator switches. The switchgear should be black. It must be possible to connect and disconnect all poles and to lock the switch in the OFF position, e.g. by using a padlock.

#### Safety switch with emergency function

##### Definition

This main switch can be used as an emergency switch. The color of the switchgear must be red, with a yellow base. It must be possible to lock the switch in the OFF position, e.g. by using a padlock.

GIFAS enables you to comply with the authorities regulations without limiting comfort.

Even in exposed locations, the combination of switches, operational equipment, and signalling devices installed in solid rubber boxes is the ideal installation solution.

## Emergency stop button

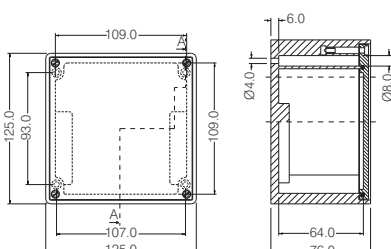


### Technical data

Width x height x depth	125 x 125 x 76 mm (Dimensions without installations)
Cabinet	Solid rubber Series 1212
Entry	1/cable gland M20
Model	1/self locking emergency button (emergency button with key available) contacts: 1 opener
Type of protection	IP65

EDP No.	Product ID No.
66806	1212.NOT-AUS.1Ö.1M20.IP65

Mounting equipment supplied by you can be incorporated into the selected box during production.  
Engraving is possible.



## Main switch / mains switch



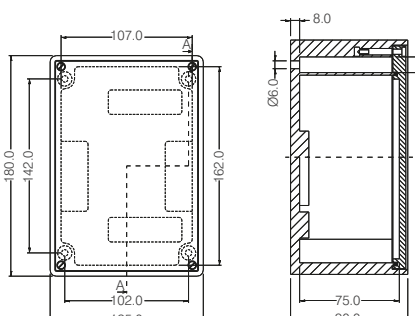
### Technical data

Width x height x depth	125 x 180 x 90 mm (Dimensions without installations)
Cabinet	Solid rubber Series 1812
Entry	2/cable glands M20
Model	1/switch 3 pole switch, black handle (with maximum use of 3 padlocks) AC-21A 20A, AC-23B 5.5kW 690V
Type of protection	IP65

EDP No.	Product ID No.
48619	1812.KG10B.T103.2M20

Other operating capacities on request.

Mounting equipment supplied by you can be incorporated into the selected box during production.  
Engraving is possible.



**Main switch / repair switch**



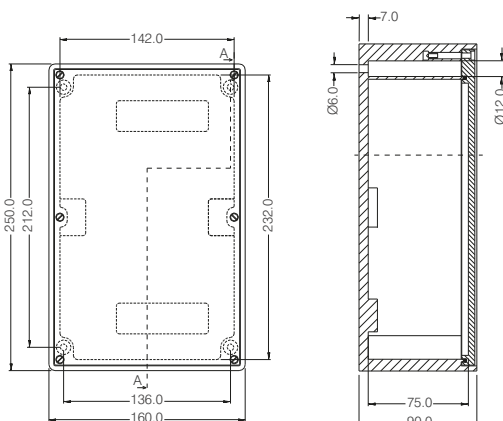
**Technical data**

Width x height x depth	160 x 250 x 90 mm (Dimensions without installations)
Cabinet	Solid rubber Series 2516
Entry	2/cable glands M25
Model	1/switch 3 pole switch, black handle (with maximum use of 3 padlocks) AC-21A 25A, AC-23B 7.5kW 690V
Type of protection	IP65

EDP No.	Product ID No.
48620	2516.1KG20B.T103.2M25

Other rated operating capacities on request.

Mounting equipment supplied by you can be incorporated into the selected box during production.  
Engraving is possible.



**Safety switches**



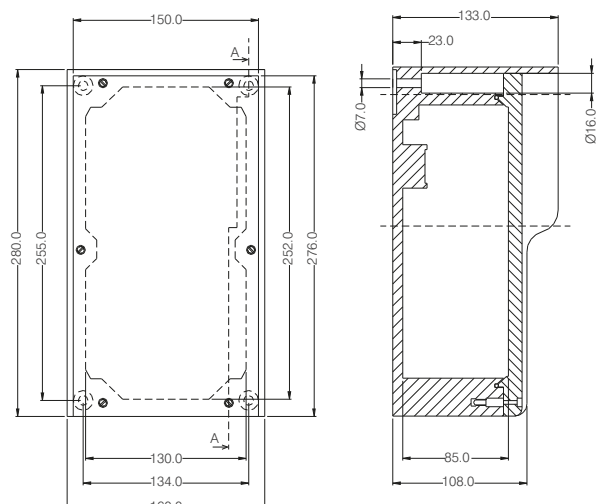
**Technical data**

Width x height x depth	160 x 280 x 133 mm (Dimensions without installations)
Cabinet	Solid rubber Series 7250
Entry	2/cable glands M20 (1x with blind plug) 2/cable glands M32 2/screen clamps for Ø 10-20 mm
Model	1/switch 3 pole switch red / yellow handle (with maximum use of 3 padlocks) AC-21A 80A, AC-23A 37kW, 400V, AC-23A 18.5kW 690V inclusive 2 auxiliary contact 1 S + 1 Ö
Type of protection	IP65

EDP No.	Product ID No.
78659	7250.ZPA.18,5KW.M32.FU

Other operating capacities on request.

Mounting equipment supplied by you can be incorporated into the selected box during production.  
Engraving is possible.



## Control panel with built-in main emergency switch



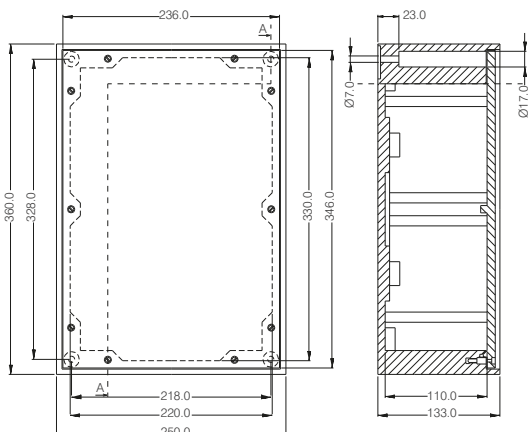
### Technical data

Width x height x depth	250 x 360 x 133 mm (Dimensions without installations)
Cabinet	Solid rubber Series 3800
Entry	2/cable glands M20 2/cable glands M32
Model	1/switch, 3/pole switch yellow / red handle (with maximum use of 3 padlocks) AC-21A 32A, AC-23B 11kW 690V including 2 / auxiliary contacts 1/control button START-RIGHT 1/control button START-LEFT 1/control button STOP Clamp wired connection
Type of protection	IP65

EDP No.	Product ID No.
47840	3800.ANTRIEB.093

Other operating capacities on request.

Mounting equipment supplied by you can be incorporated into the selected box during production.  
Engraving is possible.



## Main switch / mains switch



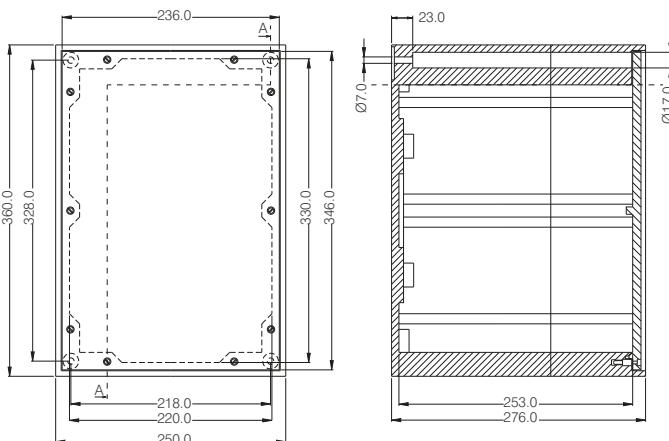
### Technical data

Width x height x depth	250 x 360 x 276 mm (Dimensions without installations)
Cabinet	Solid rubber Series 3900
Entry	1/cable gland M25 2/cable glands M40
Model	1/switch 3 pole switch black handle (with maximum use of 3 padlocks) AC-21A 150A, AC-23A 75kW 400V Outlet in neutral position (0)
Type of protection	IP65

EDP No.	Product ID No.
48706	3900.RECHENREINIGUNG

Other operating capacities on request.

Mounting equipment supplied by you can be incorporated into the selected box during production.  
Engraving is possible.



**Main switch box with built-in work sockets**



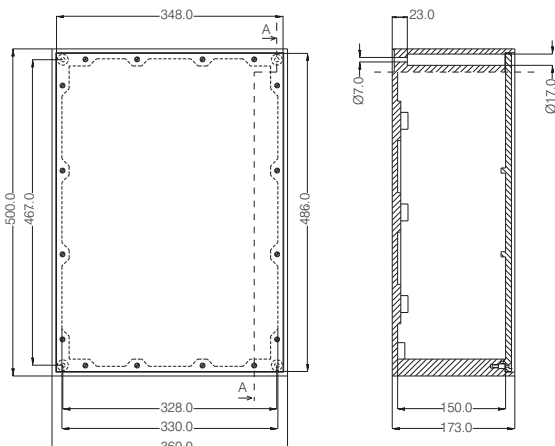
**Technical data**

Width x height x depth	360 x 500 x 173 mm (Dimensions without installations)
Cabinet	Solid rubber Series 7900 (1 Viewing window with 17 TE)
Entry	1/cable gland M16 3/cable glands M20 2/cable glands M32
Model	1 main power switch 3 pole, black handle (with maximum use of 3 padlocks) AC-21A 25A, AC-23A 15kW 400V 1/auxiliary power switch 2 pole black handle (with maximum use of 3 padlocks) AC-21A 20A, AC-23A 3.7kW 230V Power supply earthing in neutral position (0)
Work sockets	1/Schuko socket 16A 230V 1/CEE-Socket 5x32A 400V with LS and FI fused sockets
Type of protection	IP44 (IP65 possible)

EDP No.	EDP No. F&B	Product ID No.
48708	85050	7900.LASTENAUFZUG

Other operating capacities on request.

Mounting equipment supplied by you can be incorporated into the selected box during production.  
Engraving is possible.



**Safety switch**



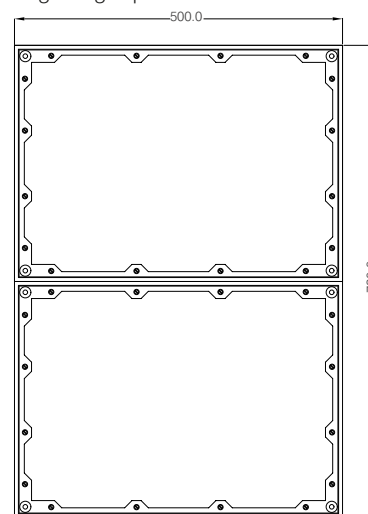
**Technical data**

Width x height x depth	500 x 720 x 173 mm (Dimensions without installations)
Cabinet	Solid rubber Series 2x7900 with transparent Cover
Entry	2/ cable glands M20 (1x with blind plug) 2/ cable glands M50
Model	1 main power switch 3 pole, yellow / red handle (with maximum use of 3 padlocks) AC-21A 200A, AC-23 110kW 400V, AC-23 200kW 690V inclusive 2 auxiliary contact 1 S + 1 Ö 2/screen clamps for Ø20-37 mm
Type of protection	IP65

EDP No.	Product ID No.
85608	2.7900.ZPA.190KW.2M50.FU

Other operating capacities on request.

Mounting equipment supplied by you can be incorporated into the selected box during production.  
Engraving is possible.



## Control unit with built-in emergency main switch



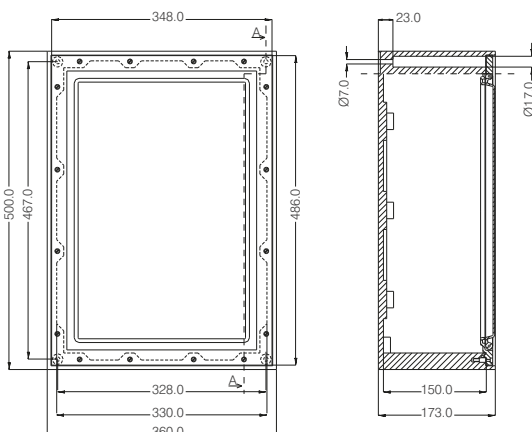
### Technical data

Width x height x depth	360 x 500 x 173 mm (Dimensions without installations)
Cabinet	Solid rubber Series 7900 with door
Entry	2/ cable glands M40 2/ cable glands M20
Model	1 main power switch 3 pole, yellow / red handle (with maximum use of 3 padlocks) AC-21A 100A, AC-23B 37kW 400V incl. 2 auxiliary pre-mating closing contacts 1/control button: START 1/control button: STOP Fully wired clamps ready to be connected The rotating locks and the switch with door clutches allow easy and quick access to the internal part of the box for alterations and tests.
Type of protection	IP54

EDP No.	Product ID No.
48707	7900.T.MOTOR.30KW

Other operating capacities on request.

Mounting equipment supplied by you can be incorporated into the selected box during production.  
Engraving is possible.





Application examples / customer solutions



EDP No. 50433, 79323, 54522, 50436 (11 - 37kW 690V)



EDP No.101321 (630kW 690V)



EDP No. 86378 (200kW 690V)



EDP No. 63894, 64099 (75kW 690V)



EDP No. 74065 (390kW 690V)



EDP No. 76041





# CONTACT US



**GIFAS**  
ELECTRIC

GIFAS ELECTRIC  
Gesellschaft m.b.H  
Strass 2  
5301 Eugendorf  
AUSTRIA

www.gifas.at  
verkauf@gifas.at  
+43 6225/7191-0  
+43 6225/7191-561  
+49 8654/404-2000