

GIFAS

TOPSELLER

Energy distribution
and Lighting systems

STOCK GOODS
PROMPT DELIVERY

GIFAS
ELECTRIC



SOLID RUBBER

special mixture of butyl rubber

- Superior stability: shatterproof, impact-resistant, stable shape and resistant to ageing
- Integrated wall mounting provides protective insulation - separated from the wired area
- Captive stainless steel top screws
- No corrosion
- No condensation (even where there are significant temperature fluctuations)
- Dust-tight and protected against water jets (IP65)
- High temperature resistance from -30° up to +80°C
- Resistant to chemicals (oils and fat, many acids and caustics)
- Weather-, UV- and Ozone-resistant
- Self-extinguishing, halogen and silicone-free
- Low-smoke in the event of fire - no release of caustic or toxic substances
- Tested quality - C E



Solid rubber wall junction boxes- IP44

- Housing: solid rubber halogen-free
- Gasket: solid rubber round cord (Series 2100, 2500, 2600) or foamed polyurethane gasket seal (Series 1800)
- Cover fixing: stainless steel cross-head screw
- 4-way wall mounting outside the wiring space partitioned off
- Type of protection up to IP65 possible

Solid rubber wall junction boxes series 2100

PONGAU -

1x M20 cable gland below

W x H x D = 72 x 84 x 61 mm

1/Schuko 16A 230V unfused

25077

€ 34,70



Solid rubber wall junction boxes series 1800

TENNENGAU -

1x M20 cable gland below

W x H x D = 185 x 92 x 52 mm

3/Schuko 16A 230V unfused

25473

€ 82,30



Solid rubber wall junction boxes series 2500

PFONGAU -

1x M20 cable gland above

W x H x D = 110 x 110 x 79 mm

1/CEE 5x16A 400V unfused
2/Schuko 16A 230V unfused

25231

€ 106,00



Solid rubber wall junction boxes series 2600

PFONGAU -

1x M20 cable gland below

W x H x D = 110 x 110 x 62 mm

1/CEE 5x16A 400V unfused

25243

€ 65,80



Solid rubber wall junction boxes series 2500

PFONGAU -

1x M25 cable gland below

W x H x D = 110 x 110 x 79 mm

1/CEE 5x32A 400V unfused

25321

€ 70,90



Solid rubber wall junction boxes- IP44

- Housing: solid rubber halogen-free
- Gasket: foamed polyurethane gasket seal
- Cover fixing: stainless steel screw TORX T15 A4
- 4-way wall mounting outside the wiring space partitioned off
- Type of protection up to IP65 possible

Solid rubber wall junction boxes series 7300 LUNGAU - max. pre-fuse 40A
1x M25 cable gland below
W x H x D = 200 x 350 x 133 mm



1/Solid rubber-CEE 5x16A 400V 1/LS 3pol. 16A
2/Schuko 16A 230V 2/LS 1pol. 16A
1/FI 40/0,03/4P. Typ A

46111 * € 317,00

Solid rubber wall junction boxes series 7400 FLACHGAU - max. pre-fuse 40A
1x M32 cable gland below
W x H x D = 266 x 370 x 133 mm



2/Plastic-CEE 5x16A 400V 2/LS 3pol. 16A
3/Schuko 16A 230V 3/LS 1pol. 16A
1/FI 40/0,03/4P. Typ A

136313 * € 387,00

Solid rubber wall junction boxes series 7400 FLACHGAU - max. pre-fuse 40A
1x M32 cable gland above
W x H x D = 266 x 370 x 133 mm



2/Plastic-CEE 5x16A 400V 2/LS 3pol. 16A
3/Schuko 16A 230V 3/LS 1pol. 16A
1/FI 40/0,03/4P. Typ A

136312 * € 387,00

Solid rubber wall junction boxes series 7400 FLACHGAU - max. pre-fuse 40A
1x M32 cable gland above
W x H x D = 266 x 370 x 133 mm



1/Plastic-CEE 5x32A 400V 1/LS 3pol. 32A
1/Plastic-CEE 5x16A 400V 1/LS 3pol. 16A
3/Schuko 16A 230V 3/LS 1pol. 16A
1/FI 40/0,03/4P. Typ A

136314 * € 398,00

Solid rubber wall junction boxes series 7400 FLACHGAU - max. pre-fuse 63A
1x M32 cable gland below
W x H x D = 266 x 370 x 133 mm



1/Solid rubber-CEE 5x32A 400V 1/LS 3pol. 32A
1/Solid rubber-CEE 5x16A 400V 1/LS 3pol. 16A
3/Schuko 16A 230V 3/LS 1pol. 16A
1/FI 63/0,03/4P. Typ A

71652 * € 461,00

Solid rubber wall junction boxes series 7400 FLACHGAU - max. pre-fuse 63A
1x M40 cable gland above
1x M40 cable gland below
1x Dummy plug
W x H x D = 266 x 370 x 133 mm



1/Solid rubber-CEE 5x32A 400V 1/LS 3pol. 32A
1/Solid rubber-CEE 5x16A 400V 1/LS 3pol. 16A
3/Schuko 16A 230V 3/LS 1pol. 16A
1/FI 63/0,03/4P. Typ G/A

138663 * € 514,00

Solid rubber wall junction boxes series 7400 FLACHGAU - max. pre-fuse 63A
1x M32 cable gland below
W x H x D = 266 x 370 x 133 mm



1/Plastic-CEE 5x32A 400V 1/LS 3pol. 32A
1/Plastic-CEE 5x16A 400V 1/LS 3pol. 16A
3/Schuko 16A 230V 3/LS 1pol. 16A
1/FI 63/0,03/4P. Typ A

111871 * € 426,00

Solid rubber wall junction boxes series 7700 PINZGAU - max. pre-fuse 63A
1x M32 cable gland below
W x H x D = 336 x 370 x 162 mm



1/Solid rubber-CEE 5x32A 400V 1/LS 3pol. 32A
2/Solid rubber-CEE 5x16A 400V 2/LS 3pol. 16A
4/Schuko 16A 230V 4/LS 1pol. 16A
1/FI 63/0,03/4P. Typ A

135096 * € 625,00

* according ÖVE/ÖNORM EN61439-4

* according ÖVE/ÖNORM EN61439-4

SOLID RUBBER

special mixture of butyl rubber

- Superior stability: shatterproof, impact-resistant, stable shape and resistant to ageing
- Integrated wall mounting provides protective insulation - separated from the wired area
- Captive stainless steel top screws
- No corrosion
- No condensation (even where there are significant temperature fluctuations)
- Dust-tight and protected against water jets (IP65)
- High temperature resistance from -30° up to +80°C
- Resistant to chemicals (oils and fat, many acids and caustics)
- Weather-, UV- and Ozone-resistant
- Self-extinguishing, halogen and silicone-free
- Low-smoke in the event of fire - no release of caustic or toxic substances
- Tested quality -



Solid rubber wall junction boxes- IP44

- Housing: solid rubber halogen-free
- Gasket: foamed polyurethane gasket seal
- Cover fixing: stainless steel screw TORX T15 A4
- 4-way wall mounting outside the wiring space partitioned off
- Type of protection up to IP65 possible
- Main line terminal 5-pin. for easy connection of up to 3 lines 16mm² (finely stranded + ferrule) or 25mm² (solid, stranded)

Solid rubber wall junction boxes series 7400 FLACHGAU - max. pre-fuse 63A

- 2x M32 cable gland above
- 2x M32 cable gland below
- 3x Dummy plug
- 1x Main line terminal 5pol. 16/25mm²
- **W x H x D = 266 x 370 x 133 mm**

- 1/Solid rubber-CEE 5x32A 400V
- 1/Solid rubber-CEE 5x16A 400V
- 3/Schuko 16A 230V
- 1/LS 3pol. 32A
- 1/LS 3pol. 16A
- 3/LS 1pol. 16A
- 1/FI 63/0,03/4P. Typ A



138640 *

€ 517,00

Solid rubber wall junction boxes series 7400 FLACHGAU - max. pre-fuse 40A

- 2x M32 cable gland above
- 2x M32 cable gland below
- 3x Dummy plug
- 1x Main line terminal 5pol. 16/25mm²
- **W x H x D = 266 x 370 x 133 mm**

- 1/Plastic-CEE 5x32A 400V
- 1/Plastic-CEE 5x16A 400V
- 3/Schuko 16A 230V
- 1/LS 3pol. 32A
- 1/LS 3pol. 16A
- 3/LS 1pol. 16A
- 1/FI 40/0,03/4P. Typ A



138646 *

€ 447,00

Solid rubber wall junction boxes series 7400 FLACHGAU - max. pre-fuse 63A

- 2x M32 cable gland above
- 2x M32 cable gland below
- 3x Dummy plug
- 1x Main line terminal 5pol. 16/25mm²
- **W x H x D = 266 x 370 x 133 mm**

- 1/Plastic-CEE 5x32A 400V
- 1/Plastic-CEE 5x16A 400V
- 3/Schuko 16A 230V
- 1/LS 3pol. 32A
- 1/LS 3pol. 16A
- 3/LS 1pol. 16A
- 1/FI 63/0,03/4P. Typ A



138645 *

€ 475,00



SOLID RUBBER

special mixture of butyl rubber

- Superior stability: shatterproof, impact-resistant, stable shape and resistant to ageing
- Integrated wall mounting provides protective insulation - separated from the wired area
- Captive stainless steel top screws
- No corrosion
- No condensation (even where there are significant temperature fluctuations)
- Dust-tight and protected against water jets (IP65)
- High temperature resistance from -30° up to +80°C
- Resistant to chemicals (oils and fat, many acids and caustics)
- Weather-, UV- and ozone-resistant
- Self-extinguishing, halogen and silicone-free
- Low-smoke in the event of fire - no release of caustic or toxic substances
- Tested quality -



Portable solid rubber junction boxes - IP44

- Housing solid rubber halogen-free, with foamed polyurethane gasket seal and stainless steel cross-head screws (Series 1800) or knurled screws (BR 6200 und 6700)
- Portable solid rubber distributor – readily wired for operation
- Type of protection up to IP65 possible

Portable solid rubber distributor series 1800 -

5 m connection cable 3x1,5 mm² with mounted Schuko 16A 230V

W x H x D = 92 x 185 x 52 mm



3/Schuko 16A 230V unfused

54586

€ 114,00

Portable solid rubber distributor series 6200 -

3 m connection cable 5x2,5 mm² with solid rubber CEE-plug 5x16A 400V

W x H x D = 280 x 276 x 230 mm



2/Solid rubber CEE 5x16A 400V unfused
4/Schuko 16A 230V unfused

1/FI 40/0,03/4P. Typ A

48911 *

€ 366,00

Portable solid rubber distributor series 6700 -

3 m connection cable 5x4,0 mm² with solid rubber CEE-plug 5x32A 400V

W x H x D = 350 x 311 x 280 mm



1/Solid rubber CEE 5x32A 400V unfused

2/Solid rubber CEE 5x16A 400V 1/LS 3pol. 16A

3/Schuko 16A 230V 3/LS 1pol. 16A

1/FI 40/0,03/4P. Typ A

48891 *

€ 476,00

Portable solid rubber distributor series 6700

3 m connection cable 5x16 mm² with solid rubber CEE-plug 5x63A 400V

W x H x D = 350 x 311 x 280 mm



2/Solid rubber CEE 5x32A 400V 2/LS 3pol. 32A

2/Solid rubber CEE 5x16A 400V 2/LS 3pol. 16A

4/Schuko 16A 230V 4/LS 1pol. 16A

1/FI 63/0,03/4P. Typ A

138712 *

€ 830,00

* according ÖVE/ÖNORM EN61439-4

Solid rubber box - IP65

- Cabinet solid rubber halogen-free, with foamed polyurethane gasket seal
- Cover polycarbonate
- Cover fixing: stainless steel screw TORX T15 A4
- Type of protection: IP65

Solid rubber box series 1212
W x H x D = 125 x 125 x 76mm

2/M20 cable gland incl. dummy plug
2/M25 cable gland incl. dummy plug



71055

€ 62,00

Isolating transformers - IP44

- Housing solid rubber halogen-free, with foamed polyurethane gasket seal
- Type of protection up to IP65 possible

Solid rubber isolating transformers series 4300
230/230V 3000VA -
3 m connection cable 2x1,5 mm² with
contour plug 16A 230V
WxHxD = 490 x 160 x 350 mm



1/Schuko 16A 230V

cable 3000VA
max. current 12A

109047 *

€ 1.639,00

* according ÖVE/ÖNORM EN61439-4

FONTO and MASSO

Sophisticated technology, sophisticated design

- Floor sockets made of salt and seawater-resistant aluminum (aluminium colored anodised)
- Can be driven on when closed - max. static surface load based on EN 50085: 20kN (FONTO) or 40kN (MASSO)
- Leveling feet and grub screw extensions for setting up the floor sockets optionally available

FONTO

- Frame can be leveled when offset for easy adjustment to the finished floor level
- Floor sockets to be set flush with the floor with removable cover
- For various applications, e.g. Schuko, RJ45, TV, HDMI, USB, etc.
- Depending on the version, suitable for dry-cleaned floors (IP20) or for cleaning with wet sweepers (IP65)

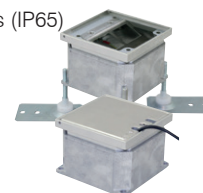
MASSO

- Drop-down distributor with screw cover that can be placed almost flush with the floor
- When closed: passable, IP67
- When open: hard-wearing, IP54 (depending on equipment)



Floor outlets FONTO 4301

- Floor level, frame can be leveled (+/- 6 mm)
- Removable cover incl. 2x cable outlet
- Protective hood integrated in the packaging for protection during the construction phase
- Closed: suitable for cleaning with wet sweepers (IP65)
- Plugged in: only for dry-cleaned floors (IP20)



WxDxH (levellable) = 119x119x77-89 mm
Height incl. leveling foot (optional) = 95-140 mm

2x cut-out 45 x 45 mm* for 1x module size 1 -
unequipped (equipment see page 9)

840765

€ 260,00

Floor outlets FONTO 8308

- Floor level, frame can be leveled (+/- 5 mm)
- Removable, assignable cover incl. 4x cable outlet
- Closed: suitable for cleaning with wet sweepers (IP65)
- Plugged in: only for dry-cleaned floors (IP20)



WxDxH (levellable) = 240x240x90-100 mm
Height incl. leveling foot (optional) = 105-150 mm

8x cut-out 45 x 45 mm* for 1x module size 1 -
unequipped (equipment see page 9)

840848

€ 729,00

Floor outlets FONTO 4970W

- Floor level, frame can be leveled (+/- 5 mm)
- Removable cover and water protection tube (sunk into the floor socket when not in use)
- Closed: suitable for cleaning with wet sweepers (IP67)
- Plugged in: with attached water outlet pipe, step-resistant, suitable for cleaning with wet sweepers (max. water height 18mm)



WxDxH (levellable) = 119x119x77-89 mm
Height incl. leveling foot (optional) = 95-140 mm

1x cut-out 45 x 45 mm* for 1x module size 1
1x cut-out for 1x module size 0,5 (22,5x45 mm) -
unequipped (equipment see page 9)

840983

€ 277,00

* cutout 45 x 45 mm - suitable for 1 module size 1 or 2 modules size 0.5

Floor outlets MASSO 4000

- almost flush with the floor
- sink distributor with screw cover
- closed: drivable and IP67
- plugged in: step-proof and IP54 (depending on equipment)

WxDxH = 170x170x190 mm
Height incl. leveling foot (optional) = 190 mm

equipment: 4/Schuko 16A 230V



840949 € 707,00

Floor outlets MASSO 8010

- almost flush with the floor
- sink distributor with screw cover
- closed: drivable and IP67
- plugged in: step-proof and IP54 (depending on equipment)

W x D x H = 170 x 170 x 255 mm
Height incl. leveling foot (optional) = 255 mm

equipment: 1/CEE 5x16A 400V
3/Schuko 16A 230V



840933 € 843,00

Modules / equipment FONTO

Schuko socket 16A 230V - size 1
white



107177 € 10,70

Schuko socket 16A 230V 3P+E - size 1
red with increased touch protection,
connection with screw terminals



121448 € 18,90

RJ45 8P CAT6 socket - size 0,5
shielded



107181 € 14,60

USB charging module 1-fold, 750mA - size 0,5
white



127066 € 53,90

TV single box, TV-SAT outlet - size 0,5
white



125932 € 23,20

Blind cover - size 0,5
white



107185 € 4,95

Accessories FONTO / MASSO

Leveling foot

1x 1x Base plate + 1x leveling pin M8x60
(required per floor box: 4x leveling feet)



107159 € 3,14

Other inserts (sockets, switches), dummy covers, threaded pin extensions, screw plugs and seals (for M25 / M32 bore) available on request

PIAZZA

Optimum integration into the surrounding

Energy distribution that takes place on demand and should be sunk into the ground without any problems (e.g. in squares, event and industrial halls, courtyards, pedestrian zones, parks, parking lots, hangars, etc.)

Properties

- Robust, safe and easy to use
- The GIFAS solid rubber distributor guarantees the utmost safety in operation, is resistant to ageing and therefore has an extremely long serviceable life
- No problems with condensation
- Resistant to environmental impact
- For power supply, waste water and fresh water connections
- Accessible and trafficable even during operation
- High levels of operational safety due to reclosing after start-up. This means optimum safety for both pedestrians and stationary or moving traffic, as well as protection against unauthorised access



PIAZZA 540

- Solid stainless steel construction 540 x 540 mm, max. load D 400kN, including main and terminal distributor ready for connection mounted on a concrete ring H=570 mm DN450
- Gas-spring-assisted opening
- Shaft cover can be individually filled (depth of the tank 50 mm)
- A self-regulating heating band has been laid within the shaft cover in order to ensure that opening is possible even at freezing temperatures
- The shaft cover is locked using two sunk, lid-level, rust-proof M10 socket screws
- There is a cable outlet insert integrated within the shaft cover, Cable outlet (dimensions: 60 x 40 mm)



PIAZZA 540
max. pre-fuse 63A

Dimensions: see drawing

Manhole cover incl. main and terminal distributor ready for connection mounted on 1 concrete ring H=570mm DN 450mm.

1/Ceiling bracket for on-site water connection 1/2"

Terminal distributor
Solid rubber box series 2516 -
W x H x D = 250 x 160 x 90mm (without installations)

2/M40 (variable clamping range 13 - 32mm, various sealing inserts included)
1/Main line terminal 5pol. for 6 - 25mm² Cu

Main distributor
Solid rubber box series 3020 -
W x H x D = 300 x 200 x 110mm (without installations)

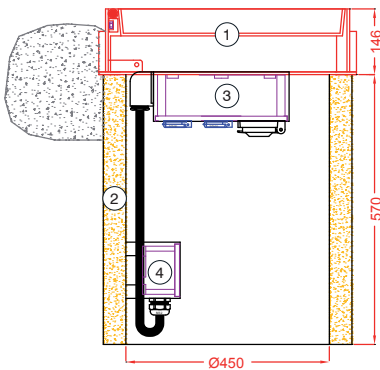
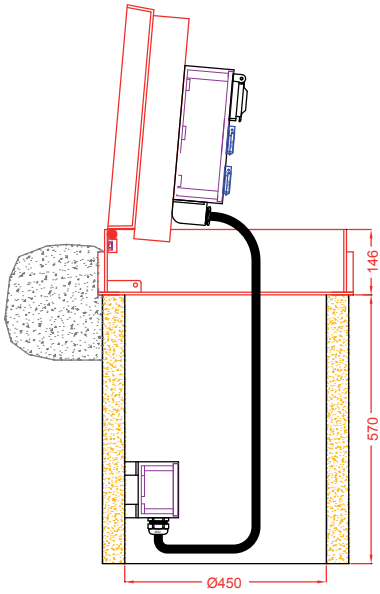
1/metal flange angle screw connection PG29 with 2m Proflex cable H07RN-F 5x10mm²
1/M16 (cover earthing)
1/M16 (cover heating)

1/CEE 5x32A 400V
1/CEE 5x16A 400V
2/Schuko 16A 230V

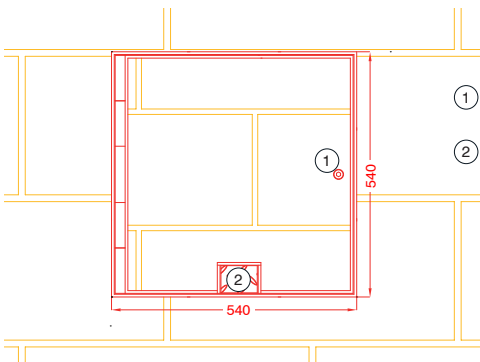
1/LS 3pol. 32A
1/LS 3pol. 16A
2/LS 1pol. 16A
1/FI 63/0,03/4P. Typ G/A

138691

€ 5.124,00



- ① Stainless steel construction, depth of the tank 50mm
- ② Concrete shaft DN450 mm H=570 mm
- ③ Main distributor
- ④ Terminal distributor



- ① Cover lock system
- ② Cable outlet 60 x 40 mm

Work to be completed by the customer

The shaft lid structure is not water-tight in the event of surface water. Sufficient drainage must therefore be ensured by the customer.

The necessary ground excavation and installation of the construction in accordance with underlying technical and legal standards. Filling of cover tray.

The electrical connections are to be carried out by a licensed electrical company.



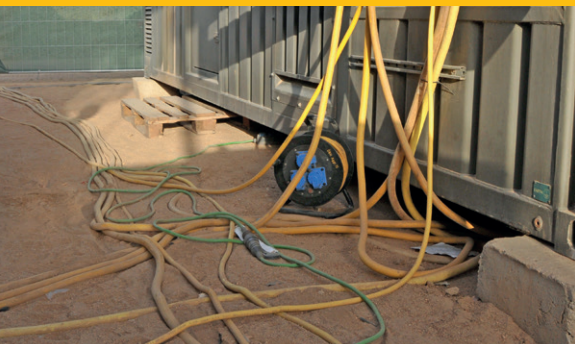
Scan QR code and find out more about underground distributors and floor outlets!



PROFLEXX

Industrial flexible rubber line H07RN-F

- Fine-stranded, flexible copper strands, sheer, VDE tested construction
- outer sheath of polychloroprene, free of silicone
- Specially developed for the requirements on construction sites and in steel constructions
- High resistance against sweat beads and flying sparks
- High flexibility, oil, grease, acid and alkali resistance as well as ozone and weather resistance
- High mechanical and thermal resilience
- Best tear and tear propagation resistance
- Cable can be used permanently under water



Solid rubber cable reels

- Robust, halogen-free reel body made of vulcanized butyl rubber, (resistant to oils, acids and alkalis) fully insulated
- Solid tubular steel frame, powder-coated
- Integrated brake, which acts directly on the roller-bearing axle, but does not rub against the roller itself
- Including overheating protection
- Weight without cable: series 501 approx. 3.7 kg / series 502 approx. 4.3 kg

Solid rubber cable reels series 501 -

Equipped with 25m Proflexx cable 3x1.5 mm² H07RN-F and fitted Schuko plug 16A 230V

3/Schuko 16A 230V

135194

€ 230,00



Solid rubber cable reels series 502 -

Equipped with 25m Proflexx cable 3x1.5 mm² H07RN-F and fitted Schuko plug 16A 230V

3/Schuko 16A 230V

135191

€ 274,00



Solid rubber Schuko-extension

- Proflexx-cable H07RN-F
- Schuko plug and schuko coupling 16A 230V



15 m Proflexx 3x1,5 mm², schuko plug and schuko coupling 16A 230V

65977

€ 50,80

25 m Proflexx 3x1,5 mm², schuko plug and schuko coupling 16A 230V

64919

€ 67,90

Plastic CEE-extension

- Proflexx-cable H07RN-F
- Plastic CEE plug and plastic CEE coupling



15 m Proflexx 5x2,5 mm², plastic CEE plug and coupling 5x16A 400V

108360 € 100,00

15 m Proflexx 5x4,0 mm², plastic CEE plug coupling 5x32A 400V

108363 € 154,00

25 m Proflexx 5x2,5 mm², plastic CEE plug coupling 5x16A 400V

108361 € 140,00

25 m Proflexx 5x4,0 mm², plastic CEE plug coupling 5x32A 400V

108364 € 213,00

Device connection cable

- Proflexx cables with contour plug or Schuko plug 16A 230V
- On the other end the insulation is 50 mm stripped, and the leads are equipped with end sleeves



3 m Proflexx 2x1,0 mm², contour plug 16A 230V

50654 € 10,30

5 m Proflexx 2x1,0 mm², contour plug 16A 230V

50655 € 13,60

10 m Proflexx 2x1,0 mm², contour plug 16A 230V

50656 € 20,40

3 m Proflexx 2x1,5 mm², contour plug 16A 230V

50657 € 9,70

5 m Proflexx 2x1,5 mm², contour plug 16A 230V

50658 € 12,60

10 m Proflexx 2x1,5 mm², contour plug 16A 230V

50659 € 22,50

3 m Proflexx 3x1,5 mm², schuko plug 16A 230V

50660 € 11,30

5 m Proflexx 3x1,5 mm², schuko plug 16A 230V

50661 € 16,00

10 m Proflexx 3x1,5 mm², schuko plug 16A 230V

50662 € 28,40

Device connection cable

- Thermoflex cable especially fine stranded, highly flexible wires. With non-rewireable contour or Schuko plug 16A 230V with double earthing system
- On the other end the insulation is 50 mm stripped, and the leads are equipped with end sleeves



3m Thermoflex 2x1,0mm², contour plug 16A 230V

25314 € 8,50

5m Thermoflex 2x1,0mm², contour plug 16A 230V

25320 € 11,20

10m Thermoflex 2x1,0mm², contour plug 16A 230V

25313 € 18,30

3m Thermoflex 2x1,5mm², contour plug 16A 230V

25335 € 10,50

5m Thermoflex 2x1,5mm², contour plug 16A 230V

25348 € 14,00

10m Thermoflex 2x1,5mm², contour plug 16A 230V

25328 € 22,40

3m Thermoflex 3x1,5mm², schuko plug 16A 230V

25360 € 12,50

5m Thermoflex 3x1,5mm², schuko plug 16A 230V

25361 € 15,30

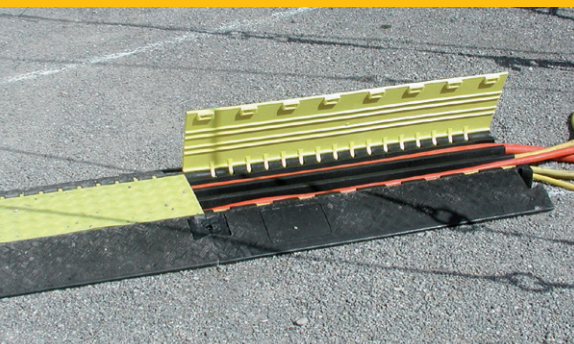
10m Thermoflex 3x1,5mm², schuko plug 16A 230V

25316 € 27,10

Cable bridges

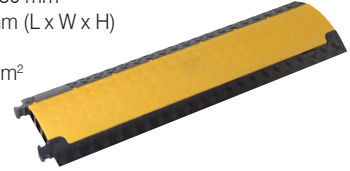
To avoid accidents and damage

- Protect your cable transitions using the GIFAS cable bridge system to avoid accidents and damage on your cables and hoses.
- Ideal for power, gas, water, compressed-air, and hydraulic cables.
- The heavy-duty polyurethane material gives these products enormous breaking strength.
- Fast installation thanks to the plug-in system
- Shatterproof and highly resilient
- Abrasion-resistant and non-slip
- Temperature-resistant and weather-resistant
- Resistant to solvents, petrol, oil and de-icing salt
- Long service life



Cable bridge PROTECT MINI

- Material: under part Polyurethan (black) / upper part Polyethylen (yellow)
- 3 channels: W = 35 mm / H = 30 mm
- Dimensions: 1000 x 290 x 48 mm (L x W x H)
- Weight: approx. 6 kg
- Loading pressure: to 2 t / 400 cm²
- Fire resistance: according DIN 4102 – B2

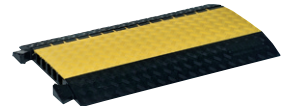


86042

€ 179,00

Cable bridge MIDI

- Material: under part Polyurethan (black) / upper part Polyethylen (yellow)
- 5 channels: W = 34mm / H = 36mm
- Dimensions: 870 x 542 x 52mm (L x B x H)
- Weight: approx. 13 kg
- Loading pressure: to 5 t / 400 cm²
- Fire resistance: according DIN 4102 – B2



72205

€ 237,00

Cable bridge PROTECT

- Material: under part Polyurethan (black) / upper part Polyethylen (yellow)
- 3 channels: WxH = 52x49 / 45x50 / 56x49mm
- Dimensions: 1000 x 600 x 73mm (L x B x H)
- Weight: approx. 23 kg
- Loading pressure: to 5 t / 400 cm²
- Fire resistance: according DIN 4102 – B2
- including 2 connecting pins



67898

€ 356,00

Spring-operated cable reels - IP42

- Swivel mounting bracket
- Closed cabinet made of shock-resistant plastic material yellow
- Return stop with toothed locking device every 50 cm, easy to disable
- Maximum operating voltage 750V
- Type of protection: IP42
- Including overheating protection
- Weight: approx. 5,0 kg

Spring-operated cable reel series 523 - W x H x D = 160 x 290 x 350 mm

Dimension/cable: 3x1,5 mm² H07RN-F with
mounted solid rubber
Schuko coupling 16A 230

Cable length: 9 m + 1 m free

Coiled version: 1.200W

Uncoiled version: 1.800W



106030

€ 254,00

Spring-operated cable reel series 523 - W x H x D = 160 x 290 x 350 mm

Dimension/cable: 3x2,5 mm² H07RN-F with
mounted solid rubber
Schuko coupling 16A 230

Cable length: 7 m + 1 m free

Coiled version: 1.900W

Uncoiled version: 2.500W



106031

€ 255,00

Spring-operated cable reels

For a quick and flexible power supply

- Pre-assembled spring-operated cable reel
- Overheating protection
- Pivotal mounting bracket
- Tooth lock



LED Lighting

Lower power consumption with great luminous efficiency

- Full luminous flux is available immediately
- Minimal temperature development
- Extremely resistant to switching (>1 million)
- Maintenance-free
- No UV/IR-radiation
- Not sensitive to impact and vibrations



Rechargeable light G40R - IP65

- Small LED spotlight with the latest Li-Ion battery technology (4.400mAh / 7,4VDC)
- Rubberized housing, impact-resistant - light head made of aluminum
- Base with magnet 4x 50N
- USB connection for charging external devices
- Lighting time: up to 10h
- LED Power: 15W = 900lm
- Color temperature: 6.500K
- Temperature range for operation: -20°C to +45°C
- Type of protection: IP65
- Dimensions: 237 x 120 x 115 mm (H x W x D)
- Weight incl. rechargeable battery: approx. 850g



G40R - incl. Charger 230VAC and 12/24VDC KFZ with cig.-plug

840596

€ 196,00

Rechargeable powered work light SunLED - IP44

- Cover made of hardened glass
- USB connection for charging external devices
- Brightness adjustable to 100%, 50%, 25%
- Lighting time: up to 10h
- LED Power: 50W = 4000lm
- Color temperature: 6.500K
- Temperature range for operation: -20°C to +50°C
- Type of protection: IP44
- Dimensions: 295 x 342 x 112 mm (W x H x D)
- Weight: approx. 3,7kg



SunLED - incl. loading unit

800216

€ 150,00

Large area lighting GIFAS DiscLED - IP65

- Aluminum housing with rustproof polyester coating
- Cover PMMA
- Tilting lamp head
- LED Power: 300W = 39.000lm
- Color temperature: 5.000K
- Temperature range for operation: -40°C to +50°C
- Type of protection / Shock resistance: IP65 / IK08
- Dimensions: 400 x 313 mm (D x H) (incl. tripod mount)
- Weight: approx. 7,8kg



GIFAS DiscLED incl. carrying case - 5 m connection cable and schuko plug 16A 230V

840879 € 1.178,00

Tripod with crank - H min. 190 cm, H max. 400 cm, max. loadable up to 85kg

133940 € 379,00

Tripod adapter - 37 mm incl. T-screw 20 mm

840884 € 37,00

Machinery- / work lights I-LED - IP65

- Small portable LED-flood light with symmetric luminous characteristics
- Slim construction, powder coated black
- Flexible lamp neck and base magnet (1000N)
- LED Power: 5x3W = 900lm
- LED Power: 6.500K
- Temperature range for operation: -30°C to +50°C
- Type of protection: IP65
- Dimensions FLEX400: 565 x 124 mm (H x D)
- Dimensions FLEX600: 765 x 124 mm (H x D)
- Weight FLEX400: approx. 1,8kg
- Weight FLEX600: approx. 1,9kg



I-LED FLEX400 - 5 m connection cable and plug-in power supply uni 24VDC

115839 € 319,00

I-LED FLEX600 - 5 m connection cable and plug-in power supply uni 24VDC

115842 € 320,00

Work light PrimaLED - IP44

- Yellow housing made from impact-resistant polycarbonate with black rubber edges, providing shock and impact protection
- Satinated bulb cover made from Makrolon: shock and impact resistant, seals the housing to make it water- and dust-proof
- LED Power: 25,2W (SMD-LED's) = 4200lm
- Color temperature: 5.700K
- Temperature range for operation: -20°C to +40°C
- Type of protection: IP44
- Dimensions: 305 x 295 x 110 mm (W x H x D)
- Weight: approx. 3,1 kg



PrimaLED with Schuko socket 16A 230V - 5 m connection cable and schuko plug 16A 230V

115611 € 255,00

Low voltage - light and power

Work light PrimaLED 24V - IP44

Model as above but:
24V, without schuko socket, 5m connection cable 2x1,5mm² with solid rubber CEE-plug 2x16A 24V



115617 € 280,00

Handlamp StabiLED 24V - IP65 / IP44

Shock-proof polycarbonate tube, 5m connection cable 2x1,5mm² with solid rubber CEE-plug 2x16A 24V
Weight (without cable) : 0,3kg
Dimensions: 510 x 60mm (L x D)



80981 € 184,00

Magnet with spring clamp (D=37mm) for Handlamp StabiLED



12253 € 23,10

Safety transformer 120VA 4A 24V

Solid rubber housing BR 1616 with carrying handle, protective transformer, 3m connecting cable 2x1,5mm² and contour plug 16A 230V, 1/solid rubber CEE-socket 2x16A 24V
Weight: 3kg
Dimensions: 160 x 160 x 90mm (H x W x D)



48541 € 230,00

Solid rubber CEE-extension

10m Proflexx 2x1,5mm², solid rubber CEE-plug and coupling 2x16A 24V



79201 € 94,30

DeltaLUXX + AlphaLUXX

- Robust housing made of corrosion-resistant die-cast aluminium
- Dirt-resistant PTFE surface coating, approved for the food industry
- U-profile seal surrounding all sides
- Heat-conducting film for lasting, reliable dissipation of heat from the LED board
- Low heat generation thanks to the latest LED technology
- Max. surface temperature: +90°C, suitable for use in industrial premises with fire hazards (not DeltaLUXX HT)
- Full luminous flux is available instantly after switching on
- Low energy consumption with high light output
- Maintenance-free
- Wide operating temperature range (up to 70°C)
- No UV/IR radiation
- Vibration-resistant



Hall lighting DeltaLUXX - IP65

- Hall downlights for applications with high light points
- 1 m connection cable
- Light color: 5.000K
- Housing material: Die-cast aluminium
- Cover: 3mm polycarbonate
- CRI Index: Ra>80
- L70/B10: DeltaLUXX >80.000h
- L70/B10: DeltaLUXX HT >50.000h
- Type of protection: IP65
- Protection class: I
- Degree of protection for mechanical damage: IK08
- Weight: 9,5kg
- Dimensions: 450 x 195mm (D x H)



DeltaLUXX 2 90W 100-240VAC (50/60Hz)

Luminous flux: 15.700lm

Temperature range for operation: -30°C to +65°C

800287

€ 558,00

DeltaLUXX 2 130W 100-240VAC (50/60Hz)

Luminous flux: 21.400lm

Temperature range for operation: -30°C to +60°C

800289

€ 638,00

DeltaLUXX 2 170W 100-240VAC (50/60Hz)

Luminous flux: 26.800lm

Temperature range for operation: -30°C to +55°C

800291

€ 729,00

DeltaLUXX 2 200W 100-240VAC (50/60Hz)

Luminous flux: 31.000lm

Temperature range for operation: -30°C to +50°C

800293

€ 762,00

DeltaLUXX 2 250W 100-240VAC (50/60Hz)

Luminous flux: 37.530lm

Temperature range for operation: -30°C to +45°C

800295

€ 821,00

DeltaLUXX HT 130W 100-240VAC (50/60Hz)

Luminous flux: 21.400lm

Temperature range for operation: -30°C to +70°C

800389

€ 719,00

DeltaLUXX HT 170W 100-240VAC (50/60Hz)

Luminous flux: 26.800lm

Temperature range for operation: -30°C to +70°C

800390

€ 751,00

LED floodlight AlphaLUXX 25/60 - IP65

- LED floodlight with enormous efficiency of up to 142lm/W
- 1 m connection cable
- Light color: 5.000K
- Housing material: Die-cast aluminium, alloy 230D
- Cover: 3mm polycarbonate clear
- CRI Index: Ra>80
- L70/B10: >80.000h
- Type of protection: IP65
- Protection class: I
- Degree of protection for mechanical damage: IK10
- Weight: 2,7kg
- Dimensions: 289 x 176 x 85,5mm (LxWxH)



AlphaLUXX 25W 100-240VAC (50/60Hz)

Luminous flux: 3.544lm
Temperature range for operation: -30°C to +60°C

800083 € 199,00

AlphaLUXX 40W 100-240VAC (50/60Hz)

Luminous flux: 5.430lm
Temperature range for operation: -30°C to +55°C

800075 € 221,00

AlphaLUXX 60W 100-240VAC (50/60Hz)

Luminous flux: 7.700lm
Temperature range for operation: -30°C to +50°C

800084 € 248,00

LED floodlight AlphaLUXX 80/120 - IP65

- LED floodlight with enormous efficiency of up to 149lm/W
- 1 m connection cable
- Light color: 5.000K
- Housing material: Die-cast aluminium, alloy 230D
- Cover: 5mm ESG clear
- CRI Index: Ra>80
- L70/B10: >80.000h
- Type of protection: IP65
- Protection class: I
- Degree of protection for mechanical damage: IK10
- Weight: 7,0kg
- Dimensions: 389 x 252 x 106,5mm (LxWxH)



AlphaLUXX 80W 100-240VAC (50/60Hz)

Luminous flux: 12.801lm
Temperature range for operation: -30°C to +60°C

800049 € 486,00

AlphaLUXX 100W 100-240VAC (50/60Hz)

Luminous flux: 16.432lm
Temperature range for operation: -30°C to +55°C

800048 € 519,00

AlphaLUXX 120W 100-240VAC (50/60Hz)

Luminous flux: 18.636lm
Temperature range for operation: -30°C to +50°C

800043 € 535,00

Accessories DeltaLUXX + AlphaLUXX

Teetube cable connector

cable connector THB.391.A3A, PA66GF,
screw terminals 0,5-2,5 mm², for cables 7-12 mm
connection assignment 3-pin 2/3/4



123867 € 12,90

LED Lighting

Lower power consumption with great luminous efficiency

- Full luminous flux is available immediately
- Minimal temperature development
- Extremely resistant to switching (>1 million)
- Maintenance-free
- No UV/IR-radiation
- Not sensitive to impact and vibrations



Floodlight PLAZA FlatLED - IP66

- Symmetrical light characteristic, slim design, powder-coated color black
- 5 m supply line and schuko plug IP44
- Light color: 5.700K
- Temperature range for operation: -20°C to +50°C
- Max. surface temperature: +90°C (suitable for use in industrial premises with fire hazards)
- Material housing + reflector: aluminium
- Cover: 5mm safety-glass
- Type of protection / protection class lamp: IP66 / I
- Degree of protection against mechanical damage: IK08

PLAZA Flatled FLOOD 16W 230VAC

Luminous flux: 2.200lm
Weight: 1,3kg
Dimensions: 205 x 150 x 44mm (H x W x D)



840649

€ 106,00

PLAZA Flatled FLOOD 24W 230VAC

Luminous flux: 3.400lm
Weight: 2,3kg
Dimensions: 251 x 200 x 45mm (H x W x D)



800039

€ 205,00

PLAZA Flatled FLOOD 48W 230VAC

Luminous flux: 7.500lm
Weight: 4,1kg
Dimensions: 330 x 243 x 58mm (H x W x D)



800040

€ 307,00

PLAZA Flatled FLOOD 72W 230VAC

Luminous flux: 10.180lm
Weight: 5,5kg
Dimensions: 372 x 265 x 80mm (H x W x D)



800041

€ 384,00

PLAZA Flatled FLOOD 150W 230VAC

Luminous flux: 21.220lm
Weight: 9,0kg
Dimensions: 450 x 355 x 95mm (H x W x D)



840359

€ 607,00

Protection tube light StreamLED Power - IP68/69

- Through wiring for light chain
- Connection by cable gland M20 (for cable Ø 7-14 mm)
- Indestructible (meets industrial health and safety standards)
- Degree of protection against mechanical damage with acrylic tube: IK10
- Beam Angle: 120°
- Light color: 6.500K
- Temperature range for operation: -30°C to +50°C
- Type of protection: IP68 / IP69
- Protection class: I
- Tube: shockproof acryl ø 54 mm

StreamLED Power 6W 230VAC

Luminous flux: 934lm
Length: 660mm



840660 € 184,00

StreamLED Power 12W 230VAC

Luminous flux: 1.871lm
Length: 1.080mm



840663 € 236,00

StreamLED Power 13,5W 230VAC

Luminous flux: 1.959lm
Length: 660mm



840661 € 184,00

StreamLED Power 27W 230VAC

Luminous flux: 3.723lm
Length: 1.080mm



840664 € 246,00

Wall fitting

Stainless steel A4



840082 € 16,60

Worklight IndustryLED - IP68/69K

- Small LED-flood light with symmetric luminous characteristics
- Operating voltage: 12-45VDC / 12-30VAC
- Aluminium housing black powder-coated
- Cover plastic glas
- 5m feeding-line 3x0,75mm² without plug
- Luminous angle: Flood / Spot
- Color temperature: 6.500K
- Temperature range for operation: -30°C bis +50°C
- Type of protection / Protection class: IP68/IP69 / III
- Weight: 0,6kg
- Dimensions: 112 x 86 x 38mm (H x W x D)



I-LED 5.17 SPOT 12W / 17W

840888 € 98,30

I-LED 5.17 FLOOD 12W / 17W

840889 € 98,30

Wall mounting bracket - V2A for I-LED

110534 € 11,40

LED Lighting

Lower power consumption with great luminous efficiency

- Full luminous flux is available immediately
- Minimal temperature development
- Extremely resistant to switching (>1 million)
- Maintenance-free
- No UV/IR-radiation
- Not sensitive to impact and vibrations





Floor outlets FONTO



Floor outlets MASSO



Power bollard RONDO



Underground distributors PIAZZA



Aluminum Energy Columns



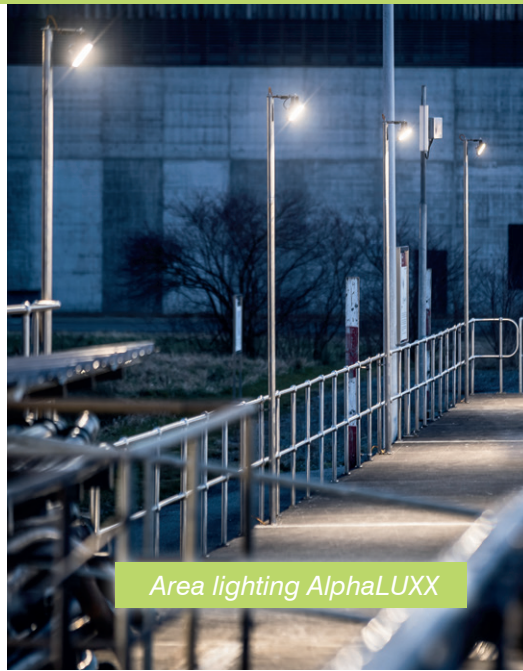
Stainless Energy Columns



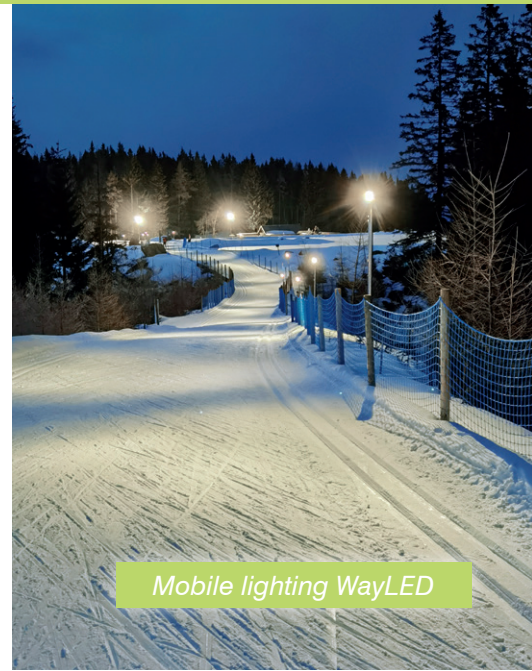
Solid rubber wall distributor



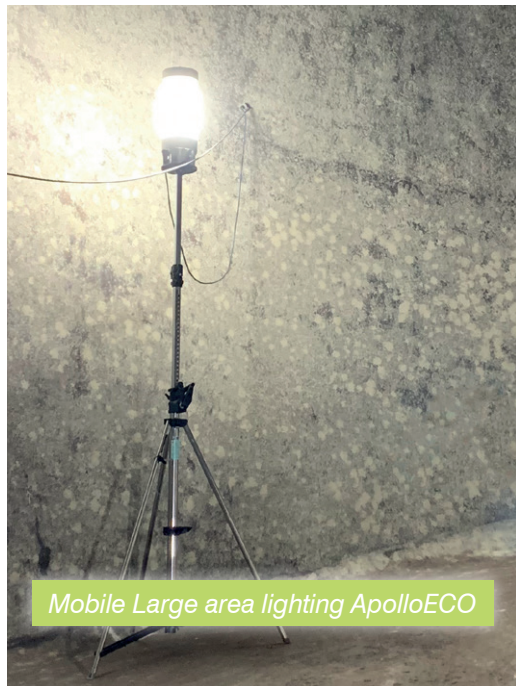
Protection tube lights StreamLED



Area lighting AlphaLUXX



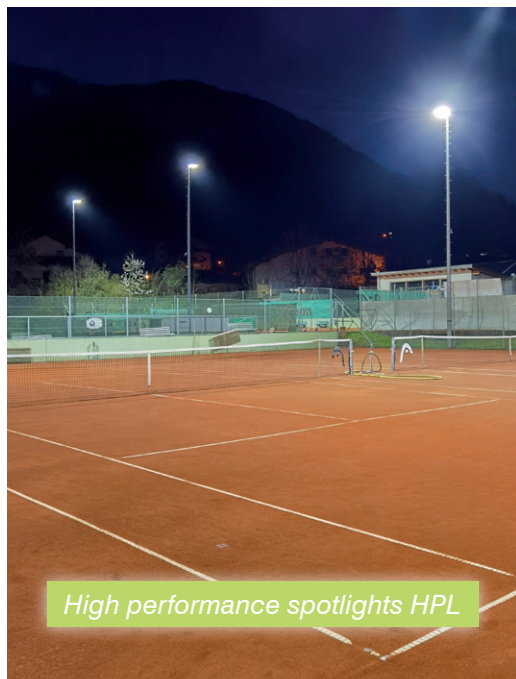
Mobile lighting WayLED



Mobile Large area lighting ApolloECO



Hall lighting DeltaLUXX und LED handrail INOX 42



High performance spotlights HPL

CONTACT US

Technical changes reserved. V04/2023
The prices listed are valid from April 1st, 2023, until revoked.



Scan the QR code and find out more about GIFAS ELECTRIC and systematic quality!



Scan the QR code and find out more about underfloor distributors and floor sockets!

GIFAS ELECTRIC

GIFAS ELECTRIC Gesellschaft m.b.H.
Strass 2
5301 Eugendorf
AUSTRIA

+43 6225 7191 - 0
+49 8654 404 2000
verkauf@gifas.at
www.gifas.at

